



2026 *West Point*  WOODWORKING

## FABRIC & LEATHER BENCHES

---

- Available on most solid top benches
- See page 34

## LARGE EXTENSION TABLES

---

- Extra leaf options
- Available on most trestle, leg, and double pedestal tables
- See page 35

## LIVE EDGE PROGRAM

---

- Pick your own base
- More top size options
- Simplified pricing
- See pages 212-223

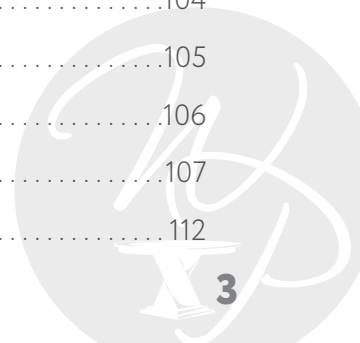


# TABLE OF CONTENTS

New & Discontinued Products.....	6	Excellent Sellers .....	25
Single Pedestal Tables.....	8	Ordering Information.....	26
Double Pedestal Tables.....	9	Warranty .....	26
Leg Tables .....	10	Attention To Details .....	27
Trestle Tables .....	11-12	Table Options.....	28
Cabinet Base Tables.....	12	Information .....	29
Benches.....	13	Self Store .....	30-32
Butterfly Tables .....	14-16	Locks.....	33
Quick Ship Items .....	17	Fabric & Leather Benches .....	34
Collections.....	18-24	Large Extension Tables.....	35

## TABLES

Addison Single.....	36	Berkley Double.....	74
Advance Single.....	37	Berkley Leg.....	75
Alana Double .....	38	Berkley Single.....	76
Alana Single.....	39	Berkshire Leg .....	77
Albany Single .....	42	Bradley Double.....	80
Amarillo Single.....	43	Bradley Single.....	81
Arts & Crafts Cabinet.....	44	Brady Leg .....	82
Arts & Crafts Single .....	45	Bridgeport Trestle.....	84
Arts & Crafts Single Pub .....	48	Brinkley Trestle .....	88
Arts & Crafts Trestle .....	49	Broadway Leg .....	90
Ashlyn Single.....	51	Brooklyn Single .....	91
Auburn Double.....	54	Brookville Single .....	92
Auburn Single.....	55	Brookville Single Pub .....	93
Avery Trestle.....	60	Burlington Double .....	98
Barrington Double .....	61	Burlington Single.....	94
Barrington Single .....	62	Cambridge Trestle.....	99
Bassett Cabinet .....	63	Canterbury Leg.....	104
Baytown Double .....	66	Carlin Leg .....	105
Baytown Single.....	67	Carson Single .....	106
Bennington Leg .....	72	Century Cabinet.....	107
		Chancellor Double .....	112



# TABLE OF CONTENTS (continued)

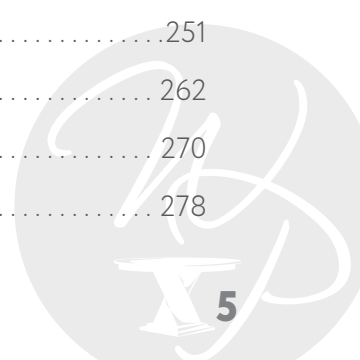
Chancellor Single .....	113	Imperial Single .....	185
Chesapeake Trestle .....	114	Imperial Single Pub.....	188
Cheyenne Leg.....	117	Jamestown Trestle .....	189
Colby Leg .....	119	Kingsbury Mission Trestle .....	190
Colebrook Trestle .....	123	Lamesa Trestle .....	191
Columbus Trestle .....	127	Laporte Trestle.....	194
Dallas Trestle .....	130	Laurie’s Leg .....	196
Dayton Leg.....	131	Lexington Double .....	200
Denver Leg.....	133	Lexington Double Mini.....	201
Dover Leg .....	138	Lexington Leg .....	202
Durango Trestle .....	139	Lexington Leg Mini.....	204
Easton Single.....	142	Lexington Single .....	205
El Paso Trestle .....	143	Lexington Single Mini .....	208
Ellianna Cabinet.....	147	Lexington Trestle .....	209
Ellianna Leg .....	150	Lexington Cabinet.....	210
Elwood Leg .....	151	Live Edge table with metal bases .....	212
Ethan Leg .....	154	Live Edge Rough Sawn table w/metal bases. ....	216
Fenway Trestle Pub .....	155	Livingston table with metal bases.....	220
Fort Worth Single .....	160	Logan Trestle.....	225
Fremont Trestle .....	161	Madison Leg Pub.....	211
Galena Trestle.....	163	Mankato Trestle.....	227
Hampton Leg .....	167	Mansfield Leg .....	230
Hampton Trestle .....	168	McCoy Trestle .....	232
Harrison Double.....	169	Mission Leg .....	234
Harrison Single.....	170	Mission Trestle.....	235
Hartford Trestle .....	171	Monarch Cabinet.....	236
Harvest Leg .....	173	Naperville Trestle .....	237
Heidi Cabinet .....	175	Nashville Trestle .....	239
Heidi Leg .....	180	Newark Leg .....	241
Homestead Single Drop Leaf.....	181	Newbury Leg.....	245
Imperial Double.....	184	Nora Single .....	250

# TABLE OF CONTENTS (continued)

Olde Century Mission Trestle . . . . .	252	Sierra Trestle . . . . .	279
Plymouth Leg Drop Leaf . . . . .	253	Sonoma Single . . . . .	282
Portland Single . . . . .	256	Sydney Trestle . . . . .	283
Preston Double . . . . .	257	Traditional Double . . . . .	286
Preston Single . . . . .	258	Traditional Leg . . . . .	287
Reno Trestle . . . . .	259	Traditional Single Pub . . . . .	288
Ridgecrest Double . . . . .	263	Traditional Single . . . . .	289
Ridgewood Single . . . . .	266	Tulsa Cabinet . . . . .	292
Santa Fe Leg . . . . .	267	Vancouver Trestle . . . . .	293
Saratoga Trestle . . . . .	271	Wellington Trestle . . . . .	296
Shelby Trestle . . . . .	274	Westin Single . . . . .	297
Sheridan Trestle . . . . .	275		

## **BENCHES**

Arts & Crafts Bench . . . . .	50	Harvest Bench . . . . .	172
Berkley Bench . . . . .	73	Heidi Bench . . . . .	174
Bridgeport Bench . . . . .	83	Laporte Bench . . . . .	195
Broadway Bench . . . . .	89	Lexington Bench . . . . .	197
Cambridge Bench . . . . .	100	Live Edge bench with metal base . . . . .	213
Canterbury Bench . . . . .	101	Live Edge Rough Sawn bench w/metal bases . . . . .	217
Chesapeake Bench . . . . .	115	Livingston bench with metal bases . . . . .	221
Cheyenne Bench . . . . .	116	Logan Bench . . . . .	224
Colby Bench . . . . .	118	Mankato Bench . . . . .	226
Colebrook Bench . . . . .	122	McCoy Bench . . . . .	231
Columbus Bench . . . . .	126	Mission Bench . . . . .	233
Denver Bench . . . . .	132	Nashville Bench . . . . .	238
Durango Double Bench . . . . .	1140	Newark Bench . . . . .	240
Durango Triple Bench . . . . .	141	Newbury Bench . . . . .	244
El Paso Bench . . . . .	146	Olde Century Bench . . . . .	251
Galena Bench . . . . .	162	Reno Bench . . . . .	262
Hampton Bench . . . . .	166	Santa Fe Bench . . . . .	270
		Sheridan Bench . . . . .	278



# NEW PRODUCTS FOR 2026



Alana Double



Amarillo Single



Ashlyn Single



Berkley Double



Berkley Leg



Berkley Single



Bradley Double



Bradley Single



Carlin Leg



Homestead Single  
Drop Leaf



Lexington Double Mini



Berkley Bench



Colby Bench

# DISCONTINUED PRODUCTS



Braden Trestle



Dutch Double



Fulton Trestle



Orewood Trestle



Stanwood Leg



Traditional Double Scallop



Wabash Barrel Single



Braden Bench

# WOOD & HUMIDITY

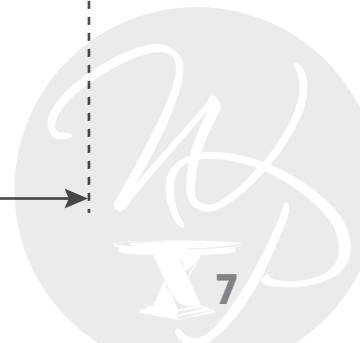
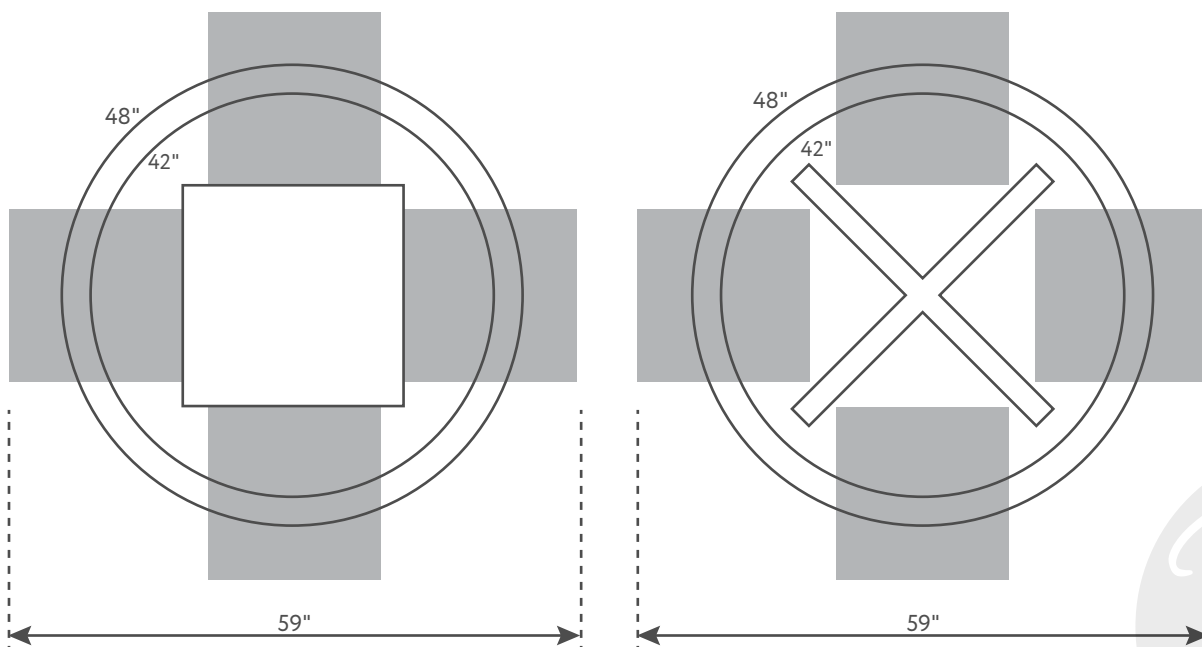
The photo below is an example of what can happen to a table with humidity changes. This is not a defect, it is the result of natural movement in wood. Please see page 26 for more information regarding wood movement.



*This photo shows the result of too low humidity, creating a gap at the ends of the joints. If the humidity is too high, the table will gap at the center of the joints.*

# TABLE BASE & CHAIR DIAGRAM

We get asked the question "Why can't you do smaller tops than listed on the product pages on certain bases?" These drawings show an average sized chair (18"x18") around an X base design like the Arts & Crafts and a square base like the Lexington Single or Westin. Please note: some base designs prevent the chairs from sliding in all the way as shown below, therefore the overall size of the set (59") does not change, even if the top is smaller than the recommended size.



# SINGLE PEDESTAL TABLES



Addison Single



Advance Single



Alana Single



Albany Single



Amarillo Single



Arts & Crafts Single



Arts & Crafts  
Single Pub



Ashlyn Single



Auburn Single



Barrington Single



Baytown Single



Berkley Single



Bradley Single



Brooklyn Single



Brookville Single



Brookville Single Pub



Burlington Single



Carson Single



Chancellor Single



Easton Single



Fort Worth Single



Harrison Single



Homestead Single  
Drop Leaf



Imperial Single



Imperial Single Pub



Lexington Single



Lexington Single Mini



Nora Single



Portland Single



Preston Single



Ridgewood Single



Sonoma Single



Traditional Single Pub



Traditional Single



Westin Single

# DOUBLE PEDESTAL TABLES



Alana Double



Auburn Double



Barrington Double



Baytown Double



Berkley Double



Bradley Double



Burlington Double



Chancellor Double



Harrison Double



Imperial Double



Lexington Double



Lexington Double Mini



Preston Double



Ridgecrest Double



Traditional Double



# LEG TABLES



Bennington Leg



Berkley Leg



Berkshire Leg



Brady Leg



Broadway Leg



Canterbury Leg



Carlin Leg



Cheyenne Leg



Colby Leg



Dayton Leg



Denver Leg



Dover Leg



Ellianna Leg



Elwood Leg



Ethan Leg



Hampton Leg



Harvest Leg



Heidi Leg



Laurie's Leg



Lexington Leg



Lexington Leg Mini



Madison Leg Pub



Mansfield Leg



Mission Leg



Newark Leg



Newbury Leg



Plymouth Leg Drop Leaf



Santa Fe Leg



Traditional Leg

# TRESTLE TABLES



Arts & Crafts Trestle



Avery Trestle



Bridgeport Trestle



Brinkley Trestle



Cambridge Trestle



Chesapeake Trestle



Colebrook Trestle



Columbus Trestle



Dallas Trestle



Durango Trestle



El Paso Trestle



Fenway Trestle Pub



Fremont Trestle



Galena Trestle



Hampton Trestle



Hartford Trestle



Jamestown Trestle



Kingsbury Mission Trestle



Lamesa Trestle



Laporte Trestle



Lexington Trestle



Live Edge top with  
Martin Trestle base



Live Edge top with  
Pagosa Trestle base



Live Edge top with  
Xavier Trestle base



Live Edge rough sawn  
top with EL Dorado  
Trestle base



Livingston top with  
Lifestyle Trestle base



Logan Trestle



Mankato Trestle



McCoy Trestle



Mission Trestle



Naperville Trestle



Nashville Trestle

# TRESTLE TABLES (continued)



Olde Century Mission Trestle



Reno Trestle



Saratoga Trestle



Shelby Trestle



Sheridan Trestle



Sierra Trestle



Sydney Trestle



Vancouver Trestle



Wellington Trestle

# CABINET BASE TABLES



Arts & Crafts Cabinet



Bassett Cabinet



Century Cabinet



Ellianna Cabinet



Heidi Cabinet



Lexington Cabinet



Monarch Cabinet



Tulsa Cabinet

# BENCHES

Arts & Crafts  
Bench\*



\* Available with fabric top



Berkley Bench\*



Bridgeport Bench\*



Broadway Bench\*



Cambridge Bench\*



Canterbury Bench\*



Chesapeake Bench\*



Cheyenne Bench\*



Colby Bench\*



Colebrook Bench\*



Columbus Bench\*



Denver Bench\*



Durango Double Bench



Durango Triple Bench



El Paso Bench



Galena Bench\*



Hampton Bench\*



Harvest Bench\*



Heidi Bench\*



Laporte Bench



Lexington Bench\*



Live Edge top with  
Martin Bench base



Live Edge top with  
Pagosa Bench base



Live Edge top with  
Xavier Bench base



Live Edge rough sawn  
top with EL Dorado  
Bench base



Livingston top with  
Lifestyle Bench base



Logan Bench\*



Mankato Bench



McCoy Bench\*



Mission Bench\*



Nashville Bench\*



Newark Bench\*



Newbury Bench\*



Olde Century Bench\*



Reno Bench\*



Santa Fe Bench\*



Sheridan Bench\*

# BUTTERFLY LEAF TABLES

## LEG TABLES

- Leg tables available with only one 18" butterfly leaf
- 42" is minimum width for butterfly leaf table
- Not available with 4" Clip Corner top shape
- Butterfly leaf tables are not available in custom widths



Berkley Leg



Broadway Leg



Canterbury Leg



Carlin Leg



Colby Leg



Denver Leg



Ellianna Leg



Elwood Leg



Heidi Leg



Lexington Leg



Madison Leg Pub



Mansfield Leg



Mission Leg



Newark Leg



Newbury Leg



Traditional Leg

## CABINET BASE TABLES

- Cabinet base tables are standard with 1-18" butterfly leaf
- Cabinet base tables are not available with 2 butterfly leaves



Arts & Crafts Cabinet



Bassett Cabinet



Century Cabinet



Ellianna Cabinet



Heidi Cabinet



Lexington Cabinet



Monarch Cabinet

# BUTTERFLY LEAF TABLES

## TRESTLE TABLES

- See page 27 for close-up view of a Butterfly Table
- 42" x 60" & 48" x 60" 1-18" butterfly leaf only due to short base
- 42" x 66", 42" x 72", 48" x 66", & 48" x 72" available with one or two 18" butterfly leaves
- 42" is minimum width for butterfly leaf table
- Butterfly leaf tables are not available in custom widths



Arts & Crafts Trestle



Brinkley Trestle



Cambridge Trestle



Colebrook Trestle



Fremont Trestle



Galena Trestle



Jamestown Trestle



Kingsbury Mission Trestle



Lexington Trestle



McCoy Trestle



Mission Trestle



Naperville Trestle



Nashville Trestle



Olde Century  
Mission Trestle



Reno Trestle



Sierra Trestle



Vancouver Trestle

# BUTTERFLY LEAF TABLES

## SINGLE PEDESTAL TABLES

- Single pedestal tables available with only one 18" butterfly leaf
- Please see each product page for available sizes
- Not available in custom sizes
- Only available in 18" leaf
- Only available with 1" thick top
- Leaf skirts not available



Alana Single



Albany Single



Arts & Crafts Single



Arts & Crafts Single Pub



Ashlyn Single



Auburn Single



Baytown Single



Berkley Single



Bradley Single



Brookville Single



Brookville Single Pub



Carson Single



Chancellor Single



Easton Single



Harrison Single



Imperial Single



Imperial Single Pub



Lexington Single



Lexington Single Mini



Nora Single



Portland Single



Preston Single



Ridgewood Single



Traditional Single

# QUICK SHIP ITEMS

- These items are available in Quick Ship
- *NOTE: the edge, shape and S/S options cannot be changed on Quick Ship items*
- We reserve the right to remove any item from the Quick Ship program without prior written notice



Baytown Single  
42" Round, 2 leaf  
Brown Maple



Burlington Single  
60" Round, Solid Top  
Brown Maple



Columbus Bench  
72", 2 leaf  
Rough Sawn  
Wormy Maple



Columbus Trestle  
42" X 72", 2 leaf, S/S  
Rough Sawn  
Wormy Maple



Denver Leg  
42" X 72", 2 leaf, S/S  
Oak or Rustic Hickory



Dover Leg  
36" X 48", 2 leaf, S/S  
Oak or Brown Maple



El Paso Bench  
80", 2 leaf  
Rough Sawn Wormy Maple



El Paso Trestle  
48" X 80", 2 leaf  
Rough Sawn Wormy Maple



Ellianna Leg  
42" X 72", 2 leaf, S/S  
Oak or Brown Maple



Galena Trestle  
42" X 72", 2 leaf, S/S  
QSWO or Rustic Hickory



Imperial Single  
48" Round, 2 leaf  
Brown Maple



Lexington Leg  
42" X 72", 2 leaf, S/S  
Br. Maple or R. Hickory



Live Edge Table  
w/Xavier Base  
*see page 212 for  
more base options*  
42" X 84" Solid Top  
Rustic Walnut



Live Edge Bench  
w/Xavier Base  
*see page 213 for  
more base options*  
84" Solid Top  
Rustic Walnut



Lexington Single  
54" Round, 2 leaf  
Brown Maple



Newbury Leg  
42" X 60", 2 leaf, S/S  
Brown Maple



Plymouth Leg Drop Leaf  
36" X 32", drop leaves  
Solid Top, Oak  
Tapered Legs



Sheridan Trestle  
36" X 54", 2 leaf, S/S  
Oak



# COLLECTIONS



Alana Single - pg. 39



Arts & Crafts Single Pub - pg. 48



Auburn Double - pg. 54



Auburn Single - pg. 55



Avery Trestle - pg. 60



Baytown Double - pg. 66



Baytown Single - pg. 67



Bennington Leg - pg. 72

# COLLECTIONS



Berkshire Leg - pg. 77



Bridgeport Trestle - pg. 84



Brinkley Trestle - pg. 88



Burlington Double - pg. 98



Burlington Single - pg. 94



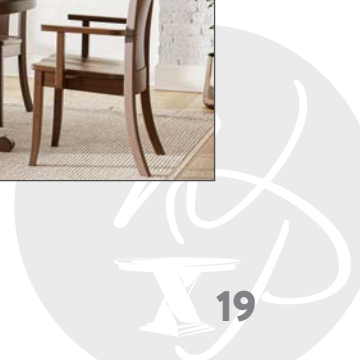
Canterbury Leg - pg. 104



Century Cabinet - pg. 107



Chancellor Double - pg. 112



# COLLECTIONS



Colby Leg - pg. 119



Colebrook Trestle - pg. 123



Columbus Trestle - pg. 127



Denver Leg - pg. 133



Dover Leg - pg. 138



El Paso Trestle - pg. 143



Ellianna Leg - pg. 150



Elwood Leg - pg. 151

# COLLECTIONS



Fenway Trestle Pub - pg. 155



Fort Worth Single - pg. 160



Galena Trestle - pg. 163



Heidi Cabinet - pg. 175



Heidi Leg - pg. 180



Imperial Double - pg. 184



Imperial Single - pg. 185



Lamesa Trestle - pg. 191

# COLLECTIONS



Lexington Double - pg. 200



Lexington Leg - pg. 202



Lexington Single - pg. 205



Live Edge Table w/Xavier Base - pg. 212



Live Edge Rough Sawn Table  
w/El Dorado Base - pg. 216



Livingston Table - pg. 220



Mankato Trestle - pg. 227



Newark Leg - pg. 241

# COLLECTIONS



Newbury Leg- pg. 245



Nora Single - pg. 250



Portland Single - pg. 256



Reno Trestle - pg. 259



Ridgewood Single - pg. 266



Santa Fe Leg - pg. 267



Saratoga Trestle - pg. 271



Sheridan Trestle - pg. 275



# COLLECTIONS



Sonoma Single - pg. 282



Sydney Trestle - pg. 283



Tulsa Cabinet - pg. 292



Wellington Trestle - pg. 296

# EXCELLENT SELLERS



Alana Single



Arts & Crafts Single



Baytown Double



Baytown Single



Bridgeport Trestle



Broadway Leg



Brookville Single



Burlington Single



Colby Leg



Colebrook Trestle



Columbus Trestle



Denver Leg



Dover Leg



El Paso Trestle



Ethan Leg



Galena Trestle



Heidi Leg



Imperial Single



Lexington Double



Lexington Leg



Lexington Leg Mini



Lexington Single



Live Edge Table with  
Xavier Base



Mankato Trestle



Newark Leg



Newbury Leg



Plymouth Leg Drop Leaf



Sheridan Trestle

## THE NATURE OF WOOD

Wood is a product of nature and therefore acts in ways beyond human control. All hardwood has variation in its color and grain. These wood characteristics will put their own unique touch to each piece of solid wood furniture. Even though we go through the same building process, no two pieces will be exactly the same. Wood color can vary a lot depending on stain selection.

Most hardwoods are open grained, causing solid wood furniture to expand and contract with changes in temperature and humidity, even after protective finishes have been applied. These temperature changes may cause the wood to crack or have surface checks. This is not abnormal and these are not considered as flaws, but rather nature's "beauty marks" which make

each piece manufactured at West Point Woodworking a truly unique piece of furniture.

Indoor humidity should be kept in the 40-45% range to minimize these effects. Solid wood should be kept away from direct sources of heating and cooling and should not be stored in attics or basements. Direct sunlight and fluorescent fixtures that contain ultraviolet rays can cause chemical changes in wood and finish and therefore should be avoided.

When cared for properly your solid wood furniture will become a piece of timeless beauty, one that will be treasured for generations.

## ORDERING INFORMATION

To avoid delays in production and unnecessary phone calls, please provide the following information on all table orders.

1. QUANTITY
2. STYLE
3. SIZE
4. LEAVES: with skirts or without skirts
5. SHAPE OF TOP: if options are available
6. EDGE STYLE: if the shape of top or edge is not specified, we will proceed with the standard specs for that style
7. BASE STYLE: single pedestal, double pedestal, leg
8. FEET STYLE: if options are available
9. SELF STORE: if available
10. WOOD SPECIE
11. STAIN COLOR: if available at time of order
12. YOUR PURCHASE ORDER NUMBER
13. CUSTOMER NAME
14. YOUR FINISHER...so we know where to ship your tables!

***Thank You!***

## WARRANTY POLICY

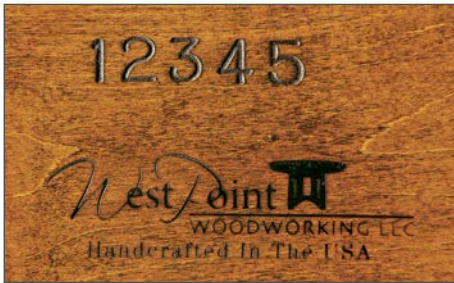
**UPDATED 2026**

At West Point Woodworking we are pleased that you have chosen to invest in hardwood furniture. Our tables are built entirely out of hardwoods from the top to bottom. You will not find any particle board or veneers, with the exception of some parts of the cabinet base. We use some plywood in places where it would not be practical to use solid hardwoods due to expansion and contraction of solid wood. We offer a 5 year warranty on workmanship, materials, and construction methods. If a defect is found in the first 5 years of when the table was built, and the table has not been abused or improperly cared for, we will repair the table at no cost. If the table has been damaged due to improper care we can still repair the table and will do so at a reasonable fee (usually \$100, depending on damage).

Always keep in mind that wood is a natural product and can expand or contract under certain humidity conditions. When the humidity is too high (above 50%) you may see some gaps between the leaves toward the center of the table. If the humidity level drops below 35% you may notice a little gap between the leaves towards the outer edge of the leaves. Most of the time this is nothing to be alarmed about and you may see the table go through this as the seasons change, especially if the house is not humidity controlled. If there is enough expansion or contraction in the table top to actually cause the wood to split, we will repair the table in the first 5 years unless it was improperly cared for. Shipping back and forth for repairs is not included in the warranty. If the table splits after 5 years from the manufacturing date, there will be a minimum charge of \$100 to repair the table and send it to the finish shop. If a table splits in the first year, we'll cover the finishing. Otherwise, finishing cost will have to be negotiated between the retail store and the finisher.

# ATTENTION TO DETAILS

West Point Woodworking pays attention to special details. Quality and details are important to us. Quality standards are established to ensure trouble free service. Each table is made-to-order and our craftsmen will follow your specifications from start to finish.



Each table is assigned a serial number for tracking purposes should any questions or problems arise.



V-grooved corner block assembly and two bolt leg attachments are part of the quality construction of our tables.



Quarter Sawn is created by using a different sawing technique to expose the different grains in the wood bringing out the flakes that remind us of family heirlooms.



Self-storing tables are designed to conveniently store extra leaves. Quality gear slides are used to help you open your table easily.



Butterfly leaf table option. See pages 14 – 16 for available styles.

# OPTIONS

## TABLE EDGE DESIGNS



5/8" **ROUNDOVER**



**BEVEL**



**MISSION** (1/8" Roundover)



**CHAMFER**



**OGEE**



**WATERFALL**

## TABLE TOP OPTIONS



*For Pedestals  
or Trestles*

**8" SQUARE  
ROUND**

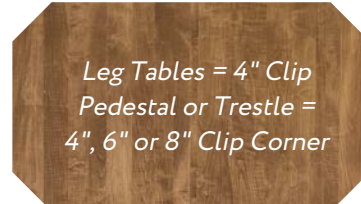


**RECTANGLE**



*1" or 4"  
Radius available*

**RADIUS  
CORNER**



*Leg Tables = 4" Clip  
Pedestal or Trestle =  
4", 6" or 8" Clip Corner*

**CLIPPED  
CORNERS**



*Not Available  
on Leg Tables*

**OVAL**



**BOW  
END**



*Not Available  
on Leg Tables*

**BANQUET**



**BOAT**



*Not Available  
on Leg Tables*

**ROUND**

# INFORMATION

## INTERNET POLICY

We require a minimum markup on the **West Point Finished Wholesale price list**. Please see our pricelist for more details.

We firmly believe that the products we are building are far superior to many of the imports and other cheap lines of furniture that are on the market today, and by selling at too low price devalues this level of craftsmanship.

We are pleased that you have chosen to represent our 100% American made products and ask that you promote these products with confidence and truly believe in the product and sell it for what it is worth.

**Steve Raber**



## CARE OF SOLID WOOD TABLES

If cared for properly your solid hardwood table can give you a lifetime of service and beauty. Here are several care tips that will enhance your solid hardwood table investment:

- Place your table away from radiators, fireplaces, and heating ducts.
- Position table out of direct sunlight or adjust blinds to avoid hour after hour of direct sunlight.
- Control humidity to 40%–45%. In winter use a humidifier, in summer use a dehumidifier or air conditioner.
- Use coasters with non-scratching bottoms.
- Use padding under all sharp, hot, or cold objects.
- Store table leaves in close proximity to table or in the same humidity, avoid storing leaves in damp basements where the leaves may swell.
- Avoid using nail polish remover, alcohol, and other solvents near or on table.

## ROUTINE CLEANING AND CARE

**DUST CAREFULLY** with a soft cloth, following the grain pattern of the wood. Use an old T-shirt, baby diaper or cheesecloth that has been laundered to remove the sizing.

**DUST OFTEN** to remove everyday abrasive particles from wood surfaces.

**CONSIDER CLEANING** with a mild nonalkaline soap and water. Use the suds in a damp sponge or cloth, but be sure to pre-test the solution on an out-of-sight section to make sure it doesn't damage the finish. Dry immediately with a soft cloth and buff lightly, following the grain.

**DON'T WAX** or use any polish that contains any silicones! Catalyzed heat and moisture resistant finishes don't need additional polish, but if you want to use a polish we recommend Guardsman Furniture Polish.

## REAL OR IMITATION?

Not sure if you're buying solid hardwood or a chip imitation? A check point is the glue joints. Put your finger on a glue joint and trace it along the top of the surface, over the edge, and to the underside. If the line disappears its probably an imitation. Solid hardwood joints on the other hand can be traced across the top, the side and the underside.



# SELF STORE

Please refer to price list first to see if any specific self-store rules apply to that table style. If no additional info is listed, you may use this page as a general guide. Please note that custom sizes and changing the top shape can affect self-store capabilities. Tops must be 12" longer than width in order to self-store. In an effort to clear up some confusion that can go with self storing tables, we are providing a general list of table sizes, shape and styles where self storing works or does not work. Always keep in mind when you are selling a table and self storing is requested, there are two major factors in self storing:

- 1) pedestal or trestle base mounting plate size and spacing
- 2) the length of the table slide required to accommodate the amount of leaves needed for the table.

Here is one example of a very common size table that gets ordered self store, but it cannot self store four leaves: 42" x 66" OVAL, 4 leaves. Most people have a tendency to think that the three leaf version can self store all three of the leaves, so it shouldn't be a problem to store four leaves on a four leaf table, however this does not work because for a four leaf table, our slide is 12" longer than on a three leaf table, which forces us to move the slides closer together so they fit between the table skirts. Then there is not enough space between the slides to store more than two leaves.

## GENERAL INFORMATION

### TRESTLE TABLES WITH RECTANGLE OR BOW END TOPS

- 42" x 60" stores up to 4 leaves, ALL unskirted
- 42" x 66" and 42" x 72" stores up to 4 leaves, 2 with skirts, 2 without
- 48" x 60" stores up to 4 leaves, 2 with skirts, 2 without
- 48" x 66" and 48" x 72" stores up to 4 leaves, ALL unskirted

### TRESTLE TABLES WITH BOAT SHAPE TOPS

- 42" x 60" – stores up to 4 leaves, ALL unskirted
- 42" x 66" and 42" x 72" stores up to 4 leaves, 2 with skirt and 2 without
- 48" x 60" stores up to 4 leaves, 2 with skirt, 2 without
- 48" x 66" and 48" x 72" stores up to 4 leaves, ALL unskirted

### DOUBLE PEDESTAL TABLES WITH RECTANGLE, BOW END, AND SQUARE ROUND TOPS

- Any 42" or 48" wide table can self store up to 4 leaves, 2 with skirt, 2 without.

**\*\*NOTE: SQUARE OR ROUND TABLES CANNOT SELF STORE ANY LEAVES!**

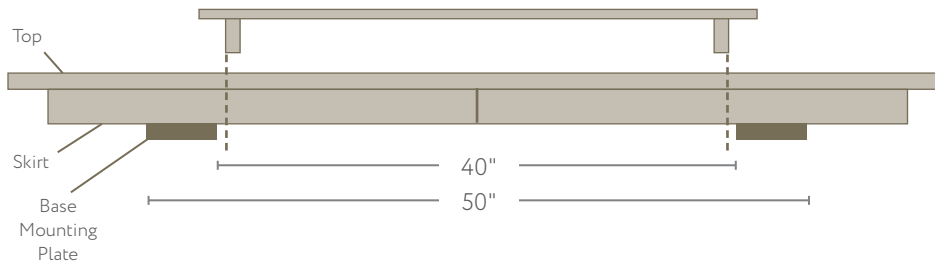
### DOUBLE PEDESTAL TABLES WITH OVAL AND BANQUET TOPS

- 42" x 54" stores up to 2 leaves, 1 with skirt, 1 without
- 48" x 54" – 48" w leaf does not fit inside of a 54" long oval top
- 42" x 60" – 1, 2 and 3 leaf oval tables store 2 leaves, 1 with skirt, 1 without
- 42" x 60" – 1, 2 and 3 leaf banquet tables store 2 skirted leaves
- 42" x 60" – 4 leaf table cannot store any leaves
- 42" x 66" – 1, 2 and 3 leaf tables store up to 3 leaves, 2 with skirts, 1 without
- 42" x 66" – 4 leaf table can store 2 leaves, 1 with skirt and 1 without.
- 42" x 72" – 1, 2 and 3 leaf tables store up to 3 leaves, 2 with skirts, 1 without
- 42" x 72" – 4 leaf oval table can only store 2 leaves, 1 with skirt, 1 without
- 42" x 72" – 4 leaf banquet table can store up to 4 leaves, 2 with skirts, 2 without
- 48" x 60" – 1, 2, and 3 leaf tables can only store 2 leaves, 1 with skirt, 1 without
- 48" x 60" – 4 leaf table cannot store any leaves
- 48" x 66" – 1, 2, and 3 leaf tables store up to 3 leaves, 2 with skirts, 1 without
- 48" x 66" – 4 leaf table can only store 2 leaves, 1 with skirt, 1 without
- 48" x 72" self stores up to 4 leaves, 2 with skirts, 2 without

# SELF STORE

## TRESTLE TABLES

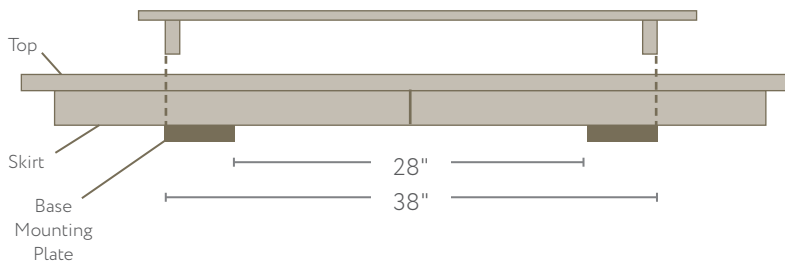
42" Leaf (Skirts fit between plates)



SIDE VIEW OF:  
42" x 66" and 42" x 72"  
Trestle Table

- Can store up to 4 leaves,  
2 with skirt, 2 without

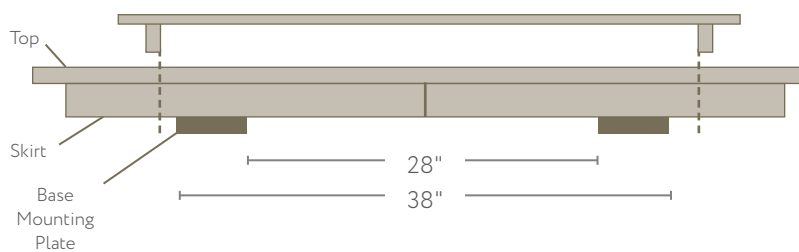
42" Leaf (Skirts come on top of the plates)



SIDE VIEW OF:  
42" x 60" Trestle Table

- Can store up to 4 leaves,  
ALL unskirted

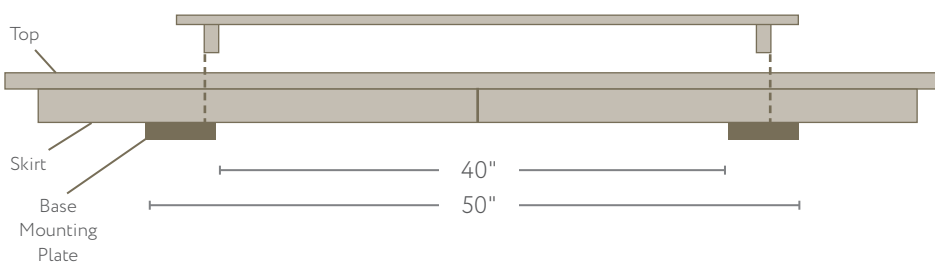
48" Leaf (Skirts go on the outside of the plates)



SIDE VIEW OF:  
48" x 60" Trestle Table

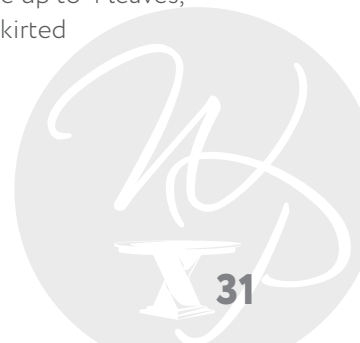
- Can store up to 4 leaves,  
2 with skirt, 2 without

48" Leaf (Skirts come on top of the plates)



SIDE VIEW OF:  
48" x 66" and 48" x 72"  
Trestle Table

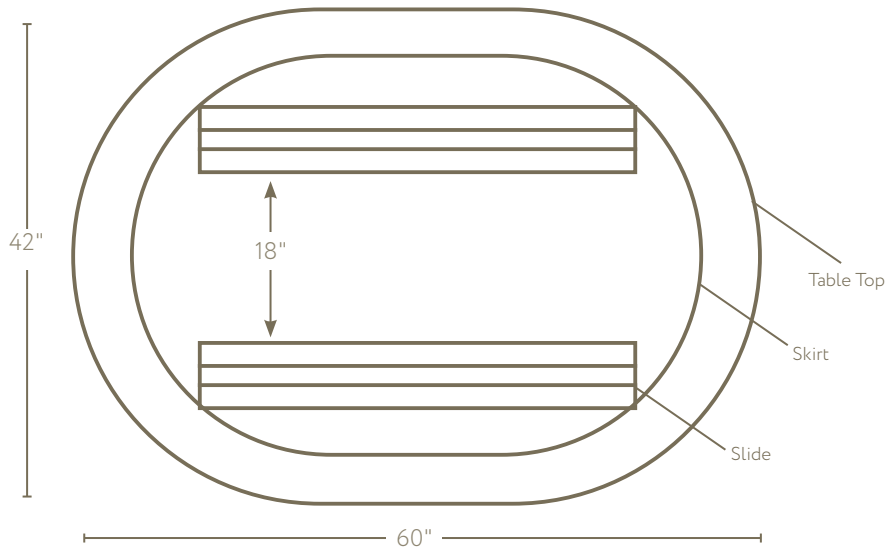
- Can store up to 4 leaves,  
ALL unskirted



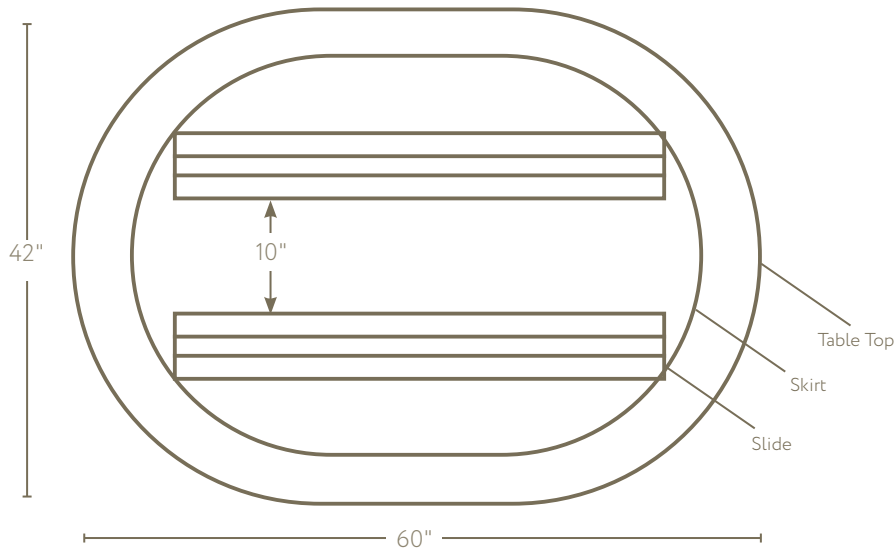
# SELF STORE

Here are two examples of oval tables that can or cannot self store.

## **BOTTOM VIEW OF TABLE:**



42" x 60" - 3 LEAVES.  
Only 1 leaf fits between the slides, so table can only store 2 leaves. 1 leaf on top of the other, 1 with skirt, 1 without.



42" x 60" - 4 LEAVES.  
Tables slide is 50" long and the table is only 60" long and with the oval shape it pushes the slides in so that there is only 10" max between the slides, therefore this table CANNOT store any of the 4 leaves.

The drawings above hold true for 42" x 66" 3 and 4 leaf tables as far as the length of the slides, however a 42" x 66" 3 leaf double pedestal table has enough space between the slide to store 2 leaves side by side and 1 on top, 2 with skirts, 1 without.

When a 4 leaf slide is used on a 42" x 66" 4 leaf table the slides have to be moved in because of the oval shape which then will only allow 18" between the

slides, therefore this table can only store 2 leaves, 1 with skirt, 1 without. The 2 leaves that cannot store will be skirted.

There are more examples that could be shown here, but we hope our efforts to list the basic "rules" of self storing will help our dealers and their customers to understand why some tables self store leaves and others do not.

## LOCKS

**Leverlocks:** All tables are standard with a leverlock in the center of the table, however ANY table that is ordered with the self store feature will not have a leverlock unless it is special ordered. The lock is removed so that the “catch” part of the lock does not scratch the leaves as they are being put in the self store position.

**Leaf Locks:** We use a spring lock. These locks are user friendly and adjust well to any movement that will occur naturally with wood products. **Not standard.**

**PLEASE NOTE:** If self storing and leaf locks are options that your customer is requesting, we highly recommend that they decide which of the 2 options is the most important to them. On certain models of tables, the locks will be right on the plate which takes away space to store 2 leaves on top of each other. As a manufacturer of tables we do not recommend any type of leaf lock, as it is just another piece of hardware that can scratch your beautiful hardwood table.

---

## RUSTIC WOODS

When ordering Rustic Wood tables, please be aware that these tables come standard with filled knots on the table top. We make no guarantees of the size, quantity, or type of knots that a table has. If you want open knots, please specify.



Small Open Knot



Small Knot with Black Epoxy



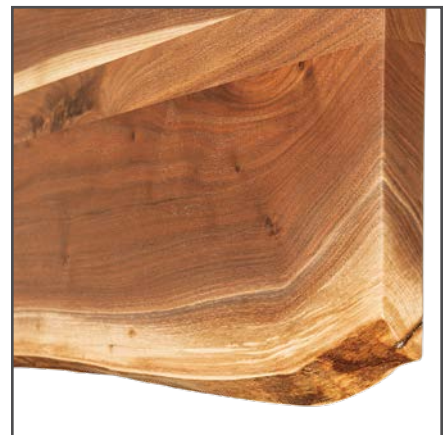
Large Open Knot



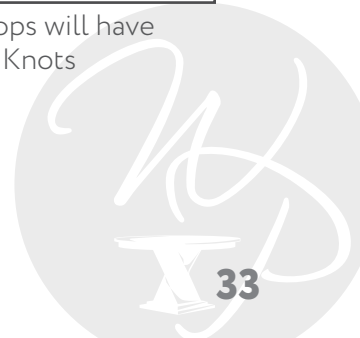
Medium Open Knot



Medium Knot with Black Epoxy



Live Edge Tops will have Filled Knots



# FABRIC & LEATHER BENCH TOP OPTIONS

- Only available on solid top benches that have skirting (see list below)
- 72" is max. length
- Available in any Heartland Fabric selection
- Denver Bench shown in Brown Maple with PCL Almond stain and R1-105 Black fabric (*Note: Actual color may vary from picture*)
- For pricing, see page 5 of pricelist



## **AVAILABLE ON THESE BENCHES**

Arts & Crafts	Chesapeake	Galena	McCoy	Reno
Berkley	Cheyenne	Hampton	Mission	Santa Fe
Bridgeport	Colby	Harvest	Newark	Sheridan
Broadway	Colebrook	Heidi	Newbury	
Cambridge	Columbus	Lexington	Nashville	
Canterbury	Denver	Logan	Olde Century	

## **NOT AVAILABLE ON THESE BENCHES**

Durango Triple	El Paso	Live Edge	Livingston
Durango Double	Laporte	Live Edge Rough Sawn	Mankato

# LARGE EXTENSION TABLE OPTION

---

- Up to 12-12" leaves available on select trestle, double pedestal, and leg tables that reference this page
- NOT available with self store
- NOT available in pub or bar height
- NOT available with boat shape
- NOT available in 42" X 60" Oval shape
- NOT available with gear slides or ball bearing slides
- Only available in 30" height
- 42" wide is minimum width
- 60" long is minimum length
- All leaves will have skirts, unless otherwise specified
- Trestle and double pedestal tables will have drop legs on the ends for support (fold up when not in use)
- Leg tables will have 2 center legs with 5 to 7 leaves and 4 center legs with 8 to 12 leaves
- For pricing, see page 4 of pricelist

## TRESTLE TABLE SHOWING DROP LEGS

- Galena Trestle 42" X 72" with 8-12" leaves; shown in QSWO with Michael's Cherry stain  
*(Note: Actual color may vary from picture)*



## LEG TABLE SHOWING EXTRA CENTER LEGS

- Lexington Leg 42" X 72" with 8-12" leaves; shown in Brown Maple with Almond stain  
*(Note: Actual color may vary from picture)*



# ADDISON SINGLE

- 1" Round or Oval top with Mission edge standard
- Base standard as shown with levelers
- Not available in pub height
- Floor to bottom of skirt 26½"
- Shown in QSWO with PCL Manchester stain  
*(Note: Actual color may vary from picture)*



## SIZES

30" X 42" Oval      Up to 2-10" leaves      Stores up to 2 unskirted leaves  
36" X 36" Round      Up to 2-10" leaves

## SPECIES

BROWN MAPLE • RED OAK • QSWO • CHERRY • HARD MAPLE • HICKORY • RUSTIC CHERRY • RUSTIC HICKORY • RUSTIC QSWO  
RUSTIC WALNUT • SAP CHERRY • WALNUT • WORMY MAPLE • PLAIN SAWN WHITE OAK • RUSTIC PLAIN SAWN WHITE OAK

## SHAPE OPTIONS



ROUND



OVAL

## EDGE OPTIONS



MISSION  
(STANDARD)



5/8" ROUNDOVER



WATERFALL



BEVEL



CHAMFER

# ADVANCE SINGLE

- 1" Round or Oval top with Mission edge standard
- Base standard as shown with levelers
- Not available in pub height
- Floor to bottom of skirt 26½"
- Shown in Oak with PCL Lite Asbury stain  
*(Note: Actual color may vary from picture)*



## SIZES

30" X 42" Oval    Up to 2-10" leaves    Stores up to 2 unskirted leaves  
36" X 36" Round    Up to 2-10" leaves

## SPECIES

BROWN MAPLE • RED OAK • QSWO • CHERRY • HARD MAPLE • HICKORY • RUSTIC CHERRY • RUSTIC HICKORY • RUSTIC QSWO  
RUSTIC WALNUT • SAP CHERRY • WALNUT • WORMY MAPLE • PLAIN SAWN WHITE OAK • RUSTIC PLAIN SAWN WHITE OAK

## SHAPE OPTIONS



ROUND



OVAL

## EDGE OPTIONS



MISSION  
(STANDARD)



5/8" ROUNDOVER



WATERFALL



BEVEL



CHAMFER



# ALANA DOUBLE



- 1" Bow End top with Waterfall edge standard
- Base standard as shown with levelers
- Floor to bottom of skirt 26½"
- Leaf table will have grain side-to-side
- Solid top will have grain lengthwise
- Shown in Brown Maple with PCL Harvest stain  
*(Note: Actual color may vary from picture)*



## SIZES

42" X 96"	Up to 4-12" leaves	Stores up to 2 unskirted leaves
42" X 108"	Solid top only	
42" X 120"	Solid top only	
48" X 96"	Up to 4-12" leaves	Stores up to 2 unskirted leaves
48" X 108"	Solid top only	
48" X 120"	Solid top only	

## SPECIES

BROWN MAPLE • RED OAK • QSWO • CHERRY • HARD MAPLE • HICKORY • RUSTIC CHERRY • RUSTIC HICKORY • RUSTIC QSWO  
RUSTIC WALNUT • SAP CHERRY • WALNUT • WORMY MAPLE • PLAIN SAWN WHITE OAK • RUSTIC PLAIN SAWN WHITE OAK

## SHAPE OPTIONS



RECTANGLE



1" RADIUS  
CORNER



BOW END  
(STANDARD)

## EDGE OPTIONS



MISSION



5/8" ROUND  
OVER



WATERFALL  
(STANDARD)



BEVEL



CHAMFER

# ALANA SINGLE

- 1" Round top with Waterfall edge standard
- Base standard as shown with levelers
- Floor to bottom of skirt 26½"
- Available in 36" height (only on 48" X 48" and 54" X 54" solid top)
- Shown in Brown Maple with PCL American Antique stain  
(Note: Actual color may vary from picture)



## SIZES

48" X 48" Round	Up to 2-12" leaves or 1-18" butterfly leaf
54" X 54" Round	Up to 2-12" leaves or 1-18" butterfly leaf
60" X 60" Round	Solid top only

## SPECIES

BROWN MAPLE • RED OAK • QSWO • CHERRY • HARD MAPLE • HICKORY • RUSTIC CHERRY • RUSTIC HICKORY • RUSTIC QSWO  
RUSTIC WALNUT • SAP CHERRY • WALNUT • WORMY MAPLE • PLAIN SAWN WHITE OAK • RUSTIC PLAIN SAWN WHITE OAK

## SHAPE OPTIONS



ROUND

## EDGE OPTIONS



MISSION



5/8" ROUNDOVER



WATERFALL  
(STANDARD)



BEVEL



CHAMFER



## ALANA SINGLE

shown in Brown Maple  
with PCL American  
Antique stain. Shown  
with FN Tampa Chairs  
with R1-142  
Hood Fabric.

*(Note: Actual color  
may vary from picture)*





# ALBANY SINGLE

- 1" Round top with Ogee edge standard
- Base standard as shown with levelers
- Available in 36" height
- Floor to bottom of skirt 26½"
- 42" round not recommended due to base size



## SIZES

- 48" X 48" Round Up to 2-12" leaves or 1-18" butterfly leaf
- 54" X 54" Round Up to 2-12" leaves or 1-18" butterfly leaf
- 60" X 60" Round Up to 2-12" leaves or 1-18" butterfly leaf

## SPECIES

BROWN MAPLE • RED OAK • QSWO • CHERRY • HARD MAPLE • HICKORY • RUSTIC CHERRY • RUSTIC HICKORY • RUSTIC QSWO  
RUSTIC WALNUT • SAP CHERRY • WALNUT • WORMY MAPLE • PLAIN SAWN WHITE OAK • RUSTIC PLAIN SAWN WHITE OAK

## SHAPE OPTIONS



ROUND

## EDGE OPTIONS



MISSION



5/8" ROUNDOVER



WATERFALL



BEVEL



CHAMFER



OGEE  
(STANDARD)

# AMARILLO SINGLE



- 1¼" Round top with Mission edge standard
- Base standard as shown with levelers
- Floor to bottom of skirt 26½"
- Available in 36" height
- Shown in Rough Sawn Wormy Maple with PCL Almond 10 sheen finish  
*(Note: Actual color may vary from picture)*



## SIZES

48" X 48" Round	Up to 2-12" leaves
54" X 54" Round	Up to 2-12" leaves
60" X 60" Round	Up to 2-12" leaves

## SPECIES

ROUGH SAWN WORMY MAPLE

## SHAPE OPTIONS



ROUND

## EDGE OPTIONS



MISSION



# ARTS & CRAFTS CABINET

- 1" Bow End top with Bevel edge standard
- Standard with 1-18" butterfly leaf
- D925-BL Hardware standard
- Cabinet base is 26½" w x 24" d
- Side mount drawer slides
- 36" high standard. Also available in 30" & 42" h (30" h only has 2 drawers)
- Floor to bottom of skirt 32½"
- Not available with Round top



## SIZES

- |           |  |
|-----------|--|
| 42" X 42" | Solid top, 1-12" leaf, or 1-18" butterfly leaf |
| 42" X 48" | Solid top, 1-12" leaf, or 1-18" butterfly leaf |
| 42" X 54" | Solid top, 1-12" leaf, or 1-18" butterfly leaf |
| 48" X 48" | Solid top, 1-12" leaf, or 1-18" butterfly leaf |
| 48" X 54" | Solid top, 1-12" leaf, or 1-18" butterfly leaf |

## SPECIES

BROWN MAPLE • RED OAK • QSWO • CHERRY • HARD MAPLE • HICKORY • RUSTIC CHERRY • RUSTIC HICKORY • RUSTIC QSWO  
RUSTIC WALNUT • SAP CHERRY • WALNUT • WORMY MAPLE • PLAIN SAWN WHITE OAK • RUSTIC PLAIN SAWN WHITE OAK

## SHAPE OPTIONS



RECTANGLE



1" RADIUS  
CORNER



BOW END  
(STANDARD)

## EDGE OPTIONS



MISSION



5/8" ROUNDOVER



WATERFALL



BEVEL  
(STANDARD)



CHAMFER

# ARTS & CRAFTS SINGLE

- 1" Round top with Bevel edge standard
- Levelers standard
- Floor to bottom of skirt 26½"
- Shown with optional Lazy Susan



## SIZES

48" X 48" Round	Up to 2-12" leaves or 1-18" butterfly leaf
54" X 54" Round	Up to 2-12" leaves or 1-18" butterfly leaf
60" X 60" Round	Up to 2-12" leaves or 1-18" butterfly leaf
72" X 72" Round	Solid top only

## SPECIES

BROWN MAPLE • RED OAK • QSWO • CHERRY • HARD MAPLE • HICKORY • RUSTIC CHERRY • RUSTIC HICKORY • RUSTIC QSWO  
RUSTIC WALNUT • SAP CHERRY • WALNUT • WORMY MAPLE • PLAIN SAWN WHITE OAK • RUSTIC PLAIN SAWN WHITE OAK

## SHAPE OPTIONS



ROUND

## EDGE OPTIONS



MISSION



5/8" ROUNDOVER



WATERFALL



BEVEL  
(STANDARD)



CHAMFER



## ARTS & CRAFTS SINGLE PUB

shown in Brown Maple  
with PCL Summit  
Courtland 10 sheen  
finish. Shown with  
FN Chairs Sedona  
Swivel Bar Stools with  
R1-91 Husk Fabric.

*(Note: Actual color  
may vary from picture)*





# ARTS & CRAFTS SINGLE PUB

- 1" Round top with Bevel edge standard
- Levelers standard
- Floor to bottom of skirt 32½"
- Shown in Brown Maple with PCL Summit Courtland 10 sheen finish  
*(Note: Actual color may vary from picture)*



## SIZES

- 48" X 48" Round Up to 2-12" leaves or 1-18" butterfly leaf
- 54" X 54" Round Up to 2-12" leaves or 1-18" butterfly leaf
- 60" X 60" Round Up to 2-12" leaves or 1-18" butterfly leaf

## SPECIES

BROWN MAPLE • RED OAK • QSWO • CHERRY • HARD MAPLE • HICKORY • RUSTIC CHERRY • RUSTIC HICKORY • RUSTIC QSWO  
RUSTIC WALNUT • SAP CHERRY • WALNUT • WORMY MAPLE • PLAIN SAWN WHITE OAK • RUSTIC PLAIN SAWN WHITE OAK

## SHAPE OPTIONS



ROUND

## EDGE OPTIONS



MISSION



5/8" ROUND OVER



WATERFALL



BEVEL  
(STANDARD)



CHAMFER

# ARTS & CRAFTS TRESTLE

- 1" Banquet top with Bevel edge standard
- Trestle base - 26" wide
- Floor to bottom of skirt 26½"
- Available in 36" height



## SIZES

42" X 60"	Up to 4-12" leaves or 1-18" butterfly leaf	Stores up to 4 unskirted leaves
42" X 66"	Up to 4-12" leaves or up to 2-18" butterfly leaves	Stores up to 4 leaves, 2 w/skirts & 2 w/o
42" X 72"	Up to 4-12" leaves or up to 2-18" butterfly leaves	Stores up to 4 leaves, 2 w/skirts & 2 w/o
48" X 60"	Up to 4-12" leaves or 1-18" butterfly leaf	Stores up to 2 leaves, 1 w/skirts & 1 w/o
48" X 66"	Up to 4-12" leaves or up to 2-18" butterfly leaves	Stores up to 4 unskirted leaves
48" X 72"	Up to 4-12" leaves or up to 2-18" butterfly leaves	Stores up to 4 unskirted leaves

Available 84" long, N/A with butterfly leaves. See pricelist for details.

For more than 4 leaves, see page 35

## SPECIES

BROWN MAPLE • RED OAK • QSWO • CHERRY • HARD MAPLE • HICKORY • RUSTIC CHERRY • RUSTIC HICKORY • RUSTIC QSWO  
 RUSTIC WALNUT • SAP CHERRY • WALNUT • WORMY MAPLE • PLAIN SAWN WHITE OAK • RUSTIC PLAIN SAWN WHITE OAK

## SHAPE OPTIONS



Changing the top shape may affect self-store ability

## EDGE OPTIONS



# ARTS & CRAFTS BENCH

- 1" Rectangle top with Mission edge
- 18" high
- Leaf storage box to store all 4 leaves
- Solid tops will not have center legs
- Fabric or Leather bench top available – solid top only. See page 34 for details.



## **SIZES**

- |             |                                 |
|-------------|---------------------------------|
| 12 ½" X 48" | Solid top or up to 4-12" leaves |
| 12 ½" X 60" | Solid top or up to 4-12" leaves |
| 12 ½" X 72" | Solid top or up to 4-12" leaves |

## **SPECIES**

BROWN MAPLE • RED OAK • QSWO • CHERRY • HARD MAPLE • HICKORY • RUSTIC CHERRY • RUSTIC HICKORY • RUSTIC QSWO  
RUSTIC WALNUT • SAP CHERRY • WALNUT • WORMY MAPLE • PLAIN SAWN WHITE OAK • RUSTIC PLAIN SAWN WHITE OAK

## **SHAPE OPTIONS**



RECTANGLE

## **EDGE OPTIONS**



MISSION

# ASHLYN SINGLE



- 1" Round top with Waterfall edge standard
- Base standard as shown with levelers
- Quarter Sawn White Oak table will have regular White Oak base
- Floor to bottom of skirt 26½"
- Not available in pub height
- Shown in Brown Maple with PCL Harvest 10 sheen finish  
*(Note: Actual color may vary from picture)*



## SIZES

- |                 |  |
|-----------------|--|
| 48" X 48" Round | Up to 2-12" leaves or 1-18" butterfly leaf |
| 54" X 54" Round | Up to 2-12" leaves or 1-18" butterfly leaf |
| 60" X 60" Round | Up to 2-12" leaves or 1-18" butterfly leaf |

## SPECIES

BROWN MAPLE • RED OAK • QSWO • CHERRY • HARD MAPLE • HICKORY • RUSTIC CHERRY • RUSTIC HICKORY • RUSTIC QSWO  
RUSTIC WALNUT • SAP CHERRY • WALNUT • WORMY MAPLE • PLAIN SAWN WHITE OAK • RUSTIC PLAIN SAWN WHITE OAK

## SHAPE OPTIONS



ROUND

## EDGE OPTIONS



MISSION



5/8" ROUNDOVER



WATERFALL  
(STANDARD)



BEVEL



CHAMFER



## AUBURN DOUBLE

shown in Brown Maple  
with PCL Old Museum  
stain. Shown with Artisan  
Hudson Chairs.

*(Note: Actual color  
may vary from picture)*





# AUBURN DOUBLE

- 1" Bow End top with Waterfall edge standard
- Base standard as shown with levelers
- Floor to bottom of skirt 26½"
- Available in 36" height
- Shown in Rustic Hickory with PCL Lite Asbury stain  
*(Note: Actual color may vary from picture)*



## SIZES

42" X 60"	Up to 4-12" leaves	Stores up to 4 leaves, 2 w/skirts & 2 w/o
42" X 66"	Up to 4-12" leaves	Stores up to 4 leaves, 2 w/skirts & 2 w/o
42" X 72"	Up to 4-12" leaves	Stores up to 4 leaves, 2 w/skirts & 2 w/o
48" X 60"	Up to 4-12" leaves	Stores up to 4 leaves, 2 w/skirts & 2 w/o
48" X 66"	Up to 4-12" leaves	Stores up to 4 leaves, 2 w/skirts & 2 w/o
48" X 72"	Up to 4-12" leaves	Stores up to 4 leaves, 2 w/skirts & 2 w/o

*For more than 4 leaves, see page 35*

## SPECIES

BROWN MAPLE • RED OAK • QSWO • CHERRY • HARD MAPLE • HICKORY • RUSTIC CHERRY • RUSTIC HICKORY • RUSTIC QSWO  
RUSTIC WALNUT • SAP CHERRY • WALNUT • WORMY MAPLE • PLAIN SAWN WHITE OAK • RUSTIC PLAIN SAWN WHITE OAK

## SHAPE OPTIONS



*Changing the top shape may affect self-store ability*

## EDGE OPTIONS



# AUBURN SINGLE

- 1" Round with Waterfall edge standard
- Base standard as shown with levelers
- Available in 36" height
- Floor to bottom of skirt 26½"
- Shown in Sap Cherry with PCL Earthtone stain  
*(Note: Actual color may vary from picture)*



## SIZES

- 42" X 42" Round Up to 2-12" leaves or 1-18" butterfly leaf
- 48" X 48" Round Up to 2-12" leaves or 1-18" butterfly leaf
- 54" X 54" Round Up to 2-12" leaves or 1-18" butterfly leaf

## SPECIES

BROWN MAPLE • RED OAK • QSWO • CHERRY • HARD MAPLE • HICKORY • RUSTIC CHERRY • RUSTIC HICKORY • RUSTIC QSWO  
RUSTIC WALNUT • SAP CHERRY • WALNUT • WORMY MAPLE • PLAIN SAWN WHITE OAK • RUSTIC PLAIN SAWN WHITE OAK

## SHAPE OPTIONS



ROUND

## EDGE OPTIONS



MISSION



5/8" ROUNDOVER



WATERFALL  
(STANDARD)



BEVEL



CHAMFER



## AUBURN SINGLE

shown in Sap Cherry  
with PCL Vintage  
Antique stain. Shown  
with FN Nantucket  
Chairs.

*(Note: Actual color  
may vary from picture)*





## AVERY TRESTLE

shown in Brown Maple  
with PCL Carbon  
top and PCL Ebony  
base. Shown with FN  
Brookfield Chairs.

*(Note: Actual color  
may vary from picture)*





# AVERY TRESTLE

- 1¼" Semi-Boat top with Bevel edge standard
- Base standard as shown with levelers
- Floor to bottom of skirt 26½"
- Not available in pub height
- Shown in Brown Maple with PCL Carbon top & PCL Ebony base (Note: Actual color may vary from picture)



## SIZES

42" X 72" Up to 4-12" leaves Stores up to 4 leaves, 2 w/skirts & 2 w/o  
 48" X 72" Up to 4-12" leaves Stores up to 4 unskirted leaves  
 Available 84" long, N/A with butterfly leaves. See pricelist for details.

For more than 4 leaves, see page 35

## SPECIES

BROWN MAPLE • RED OAK • QSWO • CHERRY • HARD MAPLE • HICKORY • RUSTIC CHERRY • RUSTIC HICKORY • RUSTIC QSWO  
 RUSTIC WALNUT • SAP CHERRY • WALNUT • WORMY MAPLE • PLAIN SAWN WHITE OAK • RUSTIC PLAIN SAWN WHITE OAK

## SHAPE OPTIONS



RECTANGLE



1" RADIUS  
CORNER



BOW END



SEMI-BOAT  
(STANDARD)

Changing the top shape may affect self-store ability

## EDGE OPTIONS



MISSION



5/8" ROUNDOVER



WATERFALL



BEVEL  
(STANDARD)



CHAMFER

# BARRINGTON DOUBLE

- 1¼" Rectangle top with 1" radius corner & Mission edge standard
- Base standard as shown with levelers
- Floor to bottom of skirt 26½"
- Not available in pub height



## SIZES

42" X 72" Up to 4-12" leaves Stores up to 4 unskirted leaves  
48" X 72" Up to 4-12" leaves Stores up to 4 leaves, 2 w/skirts & 2 w/o  
Available 84" long, N/A with butterfly leaves. See pricelist for details.

For more than 4 leaves, see page 35

## SPECIES

BROWN MAPLE • RED OAK • QSWO • CHERRY • HARD MAPLE • HICKORY • RUSTIC CHERRY • RUSTIC HICKORY • RUSTIC QSWO  
RUSTIC WALNUT • SAP CHERRY • WALNUT • WORMY MAPLE • PLAIN SAWN WHITE OAK • RUSTIC PLAIN SAWN WHITE OAK

## SHAPE OPTIONS



RECTANGLE



1" RADIUS  
CORNER (STD)



BOW END



8" SQUARE  
ROUND



BOAT



BANQUET

Changing the top shape may affect self-store ability

## EDGE OPTIONS



MISSION  
(STANDARD)



5/8" ROUNDOVER



WATERFALL



BEVEL



CHAMFER



# BARRINGTON SINGLE

- 1¼" Round top with Mission edge standard
- Base standard as shown with levelers
- Not available in pub height
- 42" Round not recommended due to base size
- Floor to bottom of skirt 26½"



## SIZES

48" X 48" Round    Up to 2-12" leaves  
54" X 54" Round    Up to 2-12" leaves  
60" X 60" Round    Up to 2-12" leaves

## SPECIES

BROWN MAPLE • RED OAK • QSWO • CHERRY • HARD MAPLE • HICKORY • RUSTIC CHERRY • RUSTIC HICKORY • RUSTIC QSWO  
RUSTIC WALNUT • SAP CHERRY • WALNUT • WORMY MAPLE • PLAIN SAWN WHITE OAK • RUSTIC PLAIN SAWN WHITE OAK

## SHAPE OPTIONS



ROUND

## EDGE OPTIONS



MISSION  
(STANDARD)



5/8" ROUNDOVER



WATERFALL



BEVEL



CHAMFER

# BASSETT CABINET

- 1" top with 6" clip corner and Mission edge standard
- Standard with 1-18" Butterfly leaf
- 1586-ORB hardware standard
- Cabinet base is 25½" w x 23½" d (No options on cabinet size)
- Side mount drawer slides
- 36" high standard. Also available in 30" & 42" h (30" h has no drawer)
- Floor to bottom of skirt 32½"
- Not available with Round top



## SIZES

42" X 42"	Solid top, 1-12" leaf, or 1-18" butterfly leaf
42" X 48"	Solid top, 1-12" leaf, or 1-18" butterfly leaf
42" X 54"	Solid top, 1-12" leaf, or 1-18" butterfly leaf
48" X 48"	Solid top, 1-12" leaf, or 1-18" butterfly leaf
48" X 54"	Solid top, 1-12" leaf, or 1-18" butterfly leaf

## SPECIES

BROWN MAPLE • RED OAK • QSWO • CHERRY • HARD MAPLE • HICKORY • RUSTIC CHERRY • RUSTIC HICKORY • RUSTIC QSWO  
RUSTIC WALNUT • SAP CHERRY • WALNUT • WORMY MAPLE • PLAIN SAWN WHITE OAK • RUSTIC PLAIN SAWN WHITE OAK

## SHAPE OPTIONS



RECTANGLE



1" RADIUS  
CORNER



BOW END



6" CLIPPED  
CORNERS  
(STANDARD)

## EDGE OPTIONS



MISSION  
(STANDARD)



5/8" ROUNDOVER



WATERFALL



BEVEL



CHAMFER



## BAYTOWN DOUBLE

shown in Brown Maple  
with PCL Almond stain.

Shown with Artisan  
Curry Chairs.

*(Note: Actual color  
may vary from picture)*





# BAYTOWN DOUBLE

- 1" Bow End top with Waterfall edge standard
- Available in 36" height
- Base standard as shown with levelers
- Floor to bottom of skirt 26½"



## SIZES

42" X 60"	Up to 4-12" leaves	Stores up to 4 leaves, 2 w/skirts & 2 w/o
42" X 66"	Up to 4-12" leaves	Stores up to 4 leaves, 2 w/skirts & 2 w/o
42" X 72"	Up to 4-12" leaves	Stores up to 4 leaves, 2 w/skirts & 2 w/o
48" X 60"	Up to 4-12" leaves	Stores up to 4 leaves, 2 w/skirts & 2 w/o
48" X 66"	Up to 4-12" leaves	Stores up to 4 leaves, 2 w/skirts & 2 w/o
48" X 72"	Up to 4-12" leaves	Stores up to 4 leaves, 2 w/skirts & 2 w/o

For more than 4 leaves, see page 35

## SPECIES

BROWN MAPLE • RED OAK • QSWO • CHERRY • HARD MAPLE • HICKORY • RUSTIC CHERRY • RUSTIC HICKORY • RUSTIC QSWO  
RUSTIC WALNUT • SAP CHERRY • WALNUT • WORMY MAPLE • PLAIN SAWN WHITE OAK • RUSTIC PLAIN SAWN WHITE OAK

## SHAPE OPTIONS



Changing the top shape may affect self-store ability

## EDGE OPTIONS



# BAYTOWN SINGLE



42" X 42" 30" high  
2-12" leaves  
Brown Maple  
Standard shape & edge

- 1" Round top with Waterfall edge standard
- Also available in oval top
- Base standard as shown with levelers
- Floor to bottom of skirt 26½"
- Available in 36" height



## SIZES

42" X 42" Round	Up to 2-12" leaves or 1-18" butterfly leaf	
48" X 48" Round	Up to 2-12" leaves or 1-18" butterfly leaf	
54" X 54" Round	Up to 2-12" leaves or 1-18" butterfly leaf	
36" X 48" Oval	Up to 2-12" leaves	Stores up to 2 unskirted leaves
42" X 54" Oval	Up to 2-12" leaves	Stores up to 2 leaves, 1 w/skirt & 1 w/o

## SPECIES

BROWN MAPLE • RED OAK • QSWO • CHERRY • HARD MAPLE • HICKORY • RUSTIC CHERRY • RUSTIC HICKORY • RUSTIC QSWO  
RUSTIC WALNUT • SAP CHERRY • WALNUT • WORMY MAPLE • PLAIN SAWN WHITE OAK • RUSTIC PLAIN SAWN WHITE OAK

## SHAPE OPTIONS



ROUND



OVAL

## EDGE OPTIONS



MISSION



5/8" ROUNDOVER



WATERFALL  
(STANDARD)



BEVEL



CHAMFER



## BAYTOWN SINGLE

shown in Brown Maple  
with PCL Sandstone stain.

Shown with FN  
Maverick Chairs.

*(Note: Actual color  
may vary from picture)*





## BENNINGTON LEG

shown in Brown Maple  
with PCL Manchester  
stain. Shown with Artisan  
Bennington Chairs.

*(Note: Actual color  
may vary from picture)*





# BENNINGTON LEG

- 1¼" Rectangle top with 4" radius corners and Underbevel edge standard
- Legs standard as shown
- Floor to bottom of skirt 26½"
- Not available in pub height
- Shown in Sap Cherry with PCL Almond 10 sheen finish  
*(Note: Actual color may vary from picture)*



## SIZES

36" X 60"	Solid top only
36" X 72"	Solid top only
36" X 84"	Solid top only
42" X 60"	Solid top only
42" X 72"	Solid top only
42" X 84"	Solid top only

## SPECIES

BROWN MAPLE • RED OAK • QSWO • CHERRY • HARD MAPLE • HICKORY • RUSTIC CHERRY • RUSTIC HICKORY • RUSTIC QSWO  
RUSTIC WALNUT • SAP CHERRY • WALNUT • WORMY MAPLE • PLAIN SAWN WHITE OAK • RUSTIC PLAIN SAWN WHITE OAK

## SHAPE OPTIONS



4" RADIUS  
CORNER

## EDGE OPTIONS



UNDERBEVEL

# BERKLEY BENCH



- 1" Rectangle top with Mission edge standard
- 18" high
- Leaf storage box to store all 4 leaves
- Solid tops will not have center legs
- Fabric or Leather bench top available – solid top only. See page 34 for details.
- Shown in Brown Maple with PCL Earthtone 10 sheen finish  
(Note: Actual color may vary from picture)



## SIZES

- 12 ½ x 48 Solid top or up to 4-12" leaves
- 12 ½ x 60 Solid top or up to 4-12" leaves
- 12 ½ x 72 Solid top or up to 4-12" leaves

## SPECIES

BROWN MAPLE • RED OAK • QSWO • CHERRY • HARD MAPLE • HICKORY • RUSTIC CHERRY • RUSTIC HICKORY • RUSTIC QSWO  
RUSTIC WALNUT • SAP CHERRY • WALNUT • WORMY MAPLE • PLAIN SAWN WHITE OAK • RUSTIC PLAIN SAWN WHITE OAK

## SHAPE OPTIONS



RECTANGLE

## EDGE OPTIONS



MISSION



# BERKLEY DOUBLE



- 1" Rectangle top with Mission edge standard
- Base standard as shown with levelers
- Quarter Sawn White Oak table will have regular White Oak base
- Floor to bottom of skirt 26½"
- Leaf table will have grain side-to-side
- Solid top will have grain lengthwise
- Shown in Brown Maple with PCL Almond stain  
(Note: Actual color may vary from picture)



## SIZES

42" X 96"	Up to 4-12" leaves	Stores up to 2 unskirted leaves
42" X 108"	Solid top only	
42" X 120"	Solid top only	
48" X 96"	Up to 4-12" leaves	Stores up to 2 unskirted leaves
48" X 108"	Solid top only	
48" X 120"	Solid top only	

## SPECIES

BROWN MAPLE • RED OAK • QSWO • CHERRY • HARD MAPLE • HICKORY • RUSTIC CHERRY • RUSTIC HICKORY • RUSTIC QSWO  
RUSTIC WALNUT • SAP CHERRY • WALNUT • WORMY MAPLE • PLAIN SAWN WHITE OAK • RUSTIC PLAIN SAWN WHITE OAK

## SHAPE OPTIONS



RECTANGLE  
(STANDARD)



1" RADIUS  
CORNER



BOW END

## EDGE OPTIONS



MISSION  
(STANDARD)



5/8" ROUNDOVER



WATERFALL



BEVEL



CHAMFER

# BERKLEY LEG



- 1" Rectangle top with Mission edge standard
- Legs standard as shown
- Floor to bottom of skirt 26"
- Available in 36" height
- Shown in Brown Maple with PCL Earthtone 10 sheen finish  
*(Note: Actual color may vary from picture)*



## SIZES

42" X 60"	Up to 4-12" leaves or 1-18" butterfly leaf	Stores up to 4 leaves, 2 w/skirts & 2 w/o
42" X 66"	Up to 4-12" leaves or 1-18" butterfly leaf	Stores up to 4 leaves, 2 w/skirts & 2 w/o
42" X 72"	Up to 4-12" leaves or 1-18" butterfly leaf	Stores up to 4 leaves, 2 w/skirts & 2 w/o
48" X 60"	Up to 4-12" leaves or 1-18" butterfly leaf	Stores up to 4 leaves, 2 w/skirts & 2 w/o
48" X 66"	Up to 4-12" leaves or 1-18" butterfly leaf	Stores up to 4 leaves, 2 w/skirts & 2 w/o
48" X 72"	Up to 4-12" leaves or 1-18" butterfly leaf	Stores up to 4 leaves, 2 w/skirts & 2 w/o

Available 84" long, N/A with butterfly leaves. See pricelist for details.

For more than 4 leaves, see page 35

## SPECIES

BROWN MAPLE • RED OAK • QSWO • CHERRY • HARD MAPLE • HICKORY • RUSTIC CHERRY • RUSTIC HICKORY • RUSTIC QSWO  
RUSTIC WALNUT • SAP CHERRY • WALNUT • WORMY MAPLE • PLAIN SAWN WHITE OAK • RUSTIC PLAIN SAWN WHITE OAK

## SHAPE OPTIONS



RECTANGLE  
(STANDARD)



1" RADIUS  
CORNER



BOW END

## EDGE OPTIONS



MISSION  
(STANDARD)



5/8" ROUNDOVER



WATERFALL



BEVEL



CHAMFER



# BERKLEY SINGLE



- 1" Round top with Mission edge standard
- Base standard as shown with levelers
- Quarter Sawn White Oak table will have regular White Oak base
- Floor to bottom of skirt 26½"
- Available in 36" height
- Shown in Rustic Hickory with PCL Cappuccino 10 sheen finish  
*(Note: Actual color may vary from picture)*



## SIZES

48" X 48" Round	Up to 2-12" leaves or 1-18" butterfly leaf
54" X 54" Round	Up to 2-12" leaves or 1-18" butterfly leaf
60" X 60" Round	Up to 2-12" leaves or 1-18" butterfly leaf
72" X 72" Round	Solid top only

## SPECIES

BROWN MAPLE • RED OAK • QSWO • CHERRY • HARD MAPLE • HICKORY • RUSTIC CHERRY • RUSTIC HICKORY • RUSTIC QSWO  
RUSTIC WALNUT • SAP CHERRY • WALNUT • WORMY MAPLE • PLAIN SAWN WHITE OAK • RUSTIC PLAIN SAWN WHITE OAK

## SHAPE OPTIONS



ROUND

## EDGE OPTIONS



MISSION  
(STANDARD)



5/8" ROUNDOVER



WATERFALL



BEVEL



CHAMFER

# BERKSHIRE LEG

- 1¼" thick smooth with 1" corner radius top & Mission edge standard
- 4½" leg standard as shown, optional reeded leg
- 3½" straight skirt
- Floor to bottom of skirt 25½"
- Available in 36" height
- Recommended chair: Berkshire from Artisan Chairs



## SIZES

42" X 60"	Up to 4-12" leaves	Stores up to 4 leaves, 2 w/skirts & 2 w/o
42" X 66"	Up to 4-12" leaves	Stores up to 4 leaves, 2 w/skirts & 2 w/o
42" X 72"	Up to 4-12" leaves	Stores up to 4 leaves, 2 w/skirts & 2 w/o
48" X 60"	Up to 4-12" leaves	Stores up to 4 leaves, 2 w/skirts & 2 w/o
48" X 66"	Up to 4-12" leaves	Stores up to 4 leaves, 2 w/skirts & 2 w/o
48" X 72"	Up to 4-12" leaves	Stores up to 4 leaves, 2 w/skirts & 2 w/o

Available 84" long, N/A with butterfly leaves. See pricelist for details.

For more than 4 leaves, see page 35

## SPECIES

BROWN MAPLE • RED OAK • QSWO • CHERRY • HARD MAPLE • HICKORY • RUSTIC CHERRY • RUSTIC HICKORY • RUSTIC QSWO  
RUSTIC WALNUT • SAP CHERRY • WALNUT • WORMY MAPLE • PLAIN SAWN WHITE OAK • RUSTIC PLAIN SAWN WHITE OAK

## SHAPE OPTIONS



RECTANGLE



1" RADIUS  
CORNER (STD)



BOW END

## EDGE OPTIONS



MISSION  
(STANDARD)



5/8" ROUNDOVER



WATERFALL



BEVEL



CHAMFER



## BERKSHIRE LEG

shown in Brown Maple  
with Coffee stain.  
Shown with Artisan  
Berkshire Reeded  
Leg Chairs.

*(Note: Actual color  
may vary from picture)*





# BRADLEY DOUBLE



- 1" Bow End top with Waterfall edge standard
- Base standard as shown with levelers
- Floor to bottom of skirt 26½"
- Available in 36" height
- Shown in Brown Maple with PCL Cappuccino 10 sheen finish  
(Note: Actual color may vary from picture)



## SIZES

42" X 72" Up to 4-12" leaves Stores up to 4 leaves, 2 w/skirts & 2 w/o  
 48" X 72" Up to 4-12" leaves Stores up to 4 leaves, 2 w/skirts & 2 w/o  
 Available 84" long, N/A with butterfly leaves. See pricelist for details.

For more than 4 leaves, see page 35

## SPECIES

BROWN MAPLE • RED OAK • QSWO • CHERRY • HARD MAPLE • HICKORY • RUSTIC CHERRY • RUSTIC HICKORY • RUSTIC QSWO  
 RUSTIC WALNUT • SAP CHERRY • WALNUT • WORMY MAPLE • PLAIN SAWN WHITE OAK • RUSTIC PLAIN SAWN WHITE OAK

## SHAPE OPTIONS



## EDGE OPTIONS



# BRADLEY SINGLE



- 1" Round top with Waterfall edge standard
- Base standard as shown with levelers
- Floor to bottom of skirt 26½"
- Available in 36" height
- Shown in Walnut with PCL-192 Natural Effect finish  
*(Note: Actual color may vary from picture)*



## SIZES

- |                 |  |
|-----------------|--|
| 42" X 42" Round | Up to 2-12" leaves or 1-18" butterfly leaf |
| 48" X 48" Round | Up to 2-12" leaves or 1-18" butterfly leaf |
| 54" X 54" Round | Up to 2-12" leaves or 1-18" butterfly leaf |

## SPECIES

BROWN MAPLE • RED OAK • QSWO • CHERRY • HARD MAPLE • HICKORY • RUSTIC CHERRY • RUSTIC HICKORY • RUSTIC QSWO  
RUSTIC WALNUT • SAP CHERRY • WALNUT • WORMY MAPLE • PLAIN SAWN WHITE OAK • RUSTIC PLAIN SAWN WHITE OAK

## SHAPE OPTIONS



ROUND

## EDGE OPTIONS



MISSION



5/8" ROUNDOVER



WATERFALL  
(STANDARD)



BEVEL



CHAMFER



# BRADY LEG

- 1" Round top with Mission edge standard
- Legs standard as shown (no options)
- Floor to bottom of skirt 26½"
- Not available in pub height



## SIZES

- 42" X 42" Round Up to 2-12" leaves
- 48" X 48" Round Up to 2-12" leaves
- 54" X 54" Round Up to 2-12" leaves

## SPECIES

BROWN MAPLE • RED OAK • QSWO • CHERRY • HARD MAPLE • HICKORY • RUSTIC CHERRY • RUSTIC HICKORY • RUSTIC QSWO  
RUSTIC WALNUT • SAP CHERRY • WALNUT • WORMY MAPLE • PLAIN SAWN WHITE OAK • RUSTIC PLAIN SAWN WHITE OAK

## SHAPE OPTIONS



ROUND

## EDGE OPTIONS



MISSION  
(STANDARD)



5/8" ROUNDOVER



WATERFALL



BEVEL



CHAMFER

# BRIDGEPORT BENCH

- 1" Rectangle top with Mission edge standard
- 18" high
- Leaf storage box to store all 4 leaves
- Solid tops will not have center legs
- Fabric or Leather bench top available – solid top only. See page 34 for details.



## **SIZES**

- 12 ½" X 48" Solid top or up to 4-12" leaves
- 12 ½" X 60" Solid top or up to 4-12" leaves
- 12 ½" X 72" Solid top or up to 4-12" leaves

## **SPECIES**

BROWN MAPLE • RED OAK • QSWO • CHERRY • HARD MAPLE • HICKORY • RUSTIC CHERRY • RUSTIC HICKORY • RUSTIC QSWO  
RUSTIC WALNUT • SAP CHERRY • WALNUT • WORMY MAPLE • PLAIN SAWN WHITE OAK • RUSTIC PLAIN SAWN WHITE OAK

## **SHAPE OPTIONS**



RECTANGLE

## **EDGE OPTIONS**



MISSION



# BRIDGEPORT TRESTLE

- 1" Rectangle top with Reverse Chamfer edge standard
- 3" skirt with Chamfer edge on bottom of skirt
- No gap cover (not available)
- Base standard as shown with levelers
- Floor to bottom of skirt 26"
- Not available in pub height



## SIZES

42" X 60"	Up to 4-12" leaves	Stores up to 4 unskirted leaves
42" X 66"	Up to 4-12" leaves	Stores up to 4 leaves, 2 w/skirts & 2 w/o
42" X 72"	Up to 4-12" leaves	Stores up to 4 leaves, 2 w/skirts & 2 w/o
48" X 60"	Up to 4-12" leaves	Stores up to 4 leaves, 2 w/skirts & 2 w/o
48" X 66"	Up to 4-12" leaves	Stores up to 4 unskirted leaves
48" X 72"	Up to 4-12" leaves	Stores up to 4 unskirted leaves

Available 84" long, N/A with butterfly leaves. See pricelist for details.

For more than 4 leaves, see page 35

## SPECIES

BROWN MAPLE • RED OAK • QSWO • CHERRY • HARD MAPLE • HICKORY • RUSTIC CHERRY • RUSTIC HICKORY • RUSTIC QSWO  
RUSTIC WALNUT • SAP CHERRY • WALNUT • WORMY MAPLE • PLAIN SAWN WHITE OAK • RUSTIC PLAIN SAWN WHITE OAK

## SHAPE OPTIONS



RECTANGLE

## EDGE OPTIONS



REVERSE CHAMFER



## BRIDGEPORT TRESTLE

shown in Brown Maple with  
PCL Earthtone stain. Shown with  
Artisan Gatlinburg Chairs.

*(Note: Actual color may vary from picture)*



## BRINKLEY TRESTLE

shown in Brown Maple  
with PCL Almond stain.  
Shown with FN Sophia  
Chairs.

*(Note: Actual color  
may vary from picture)*





# BRINKLEY TRESTLE

- 1" Rectangle top with Bevel edge standard
- Base standard as shown with levelers
- Floor to bottom of skirt 26½"
- Not available in pub height
- Shown in Brown Maple with PCL Almond stain  
*(Note: Actual color may vary from picture)*



## SIZES

42" X 60"	Up to 4-12" leaves or 1-18" butterfly leaf	Stores up to 4 unskirted leaves
42" X 66"	Up to 4-12" leaves or up to 2-18" butterfly leaves	Stores up to 4 leaves, 2 w/skirts & 2 w/o
42" X 72"	Up to 4-12" leaves or up to 2-18" butterfly leaves	Stores up to 4 leaves, 2 w/skirts & 2 w/o
48" X 60"	Up to 4-12" leaves or 1-18" butterfly leaf	Stores up to 4 leaves, 2 w/skirts & 2 w/o
48" X 66"	Up to 4-12" leaves or up to 2-18" butterfly leaves	Stores up to 4 unskirted leaves
48" X 72"	Up to 4-12" leaves or up to 2-18" butterfly leaves	Stores up to 4 unskirted leaves

Available 84" long, N/A with butterfly leaves. See pricelist for details.

For more than 4 leaves, see page 35

## SPECIES

BROWN MAPLE • RED OAK • QSWO • CHERRY • HARD MAPLE • HICKORY • RUSTIC CHERRY • RUSTIC HICKORY • RUSTIC QSWO  
RUSTIC WALNUT • SAP CHERRY • WALNUT • WORMY MAPLE • PLAIN SAWN WHITE OAK • RUSTIC PLAIN SAWN WHITE OAK

## SHAPE OPTIONS



Changing the top shape may affect self-store ability

## EDGE OPTIONS



# BROADWAY BENCH

- 1" Bow End top with Mission edge
- 18" high
- Leaf storage box to store all 4 leaves
- Solid tops will not have center legs
- Fabric or Leather bench top available – solid top only. See page 34 for details.



## SIZES

12 ½" X 48"	Solid top or up to 4-12" leaves
12 ½" X 60"	Solid top or up to 4-12" leaves
12 ½" X 72"	Solid top or up to 4-12" leaves

## SPECIES

BROWN MAPLE • RED OAK • QSWO • CHERRY • HARD MAPLE • HICKORY • RUSTIC CHERRY • RUSTIC HICKORY • RUSTIC QSWO  
RUSTIC WALNUT • SAP CHERRY • WALNUT • WORMY MAPLE • PLAIN SAWN WHITE OAK • RUSTIC PLAIN SAWN WHITE OAK

## SHAPE OPTIONS



BOW END

## EDGE OPTIONS



MISSION



# BROADWAY LEG

- 1" Bow End top with Mission edge standard
- 3½" skirt standard as shown
- Curved legs standard as shown
- Available in 36" height
- Floor to bottom of skirt is 25½" at the legs and 26½" at the center
- Shown in Brown Maple with PCL Asbury Brown stain (*Note: Actual color may vary from picture*)



## SIZES

42" X 60"	Up to 4-12" leaves or 1-18" butterfly leaf	Stores up to 4 leaves, 2 w/skirts & 2 w/o
42" X 66"	Up to 4-12" leaves or 1-18" butterfly leaf	Stores up to 4 leaves, 2 w/skirts & 2 w/o
42" X 72"	Up to 4-12" leaves or 1-18" butterfly leaf	Stores up to 4 leaves, 2 w/skirts & 2 w/o
48" X 60"	Up to 4-12" leaves or 1-18" butterfly leaf	Stores up to 4 leaves, 2 w/skirts & 2 w/o
48" X 66"	Up to 4-12" leaves or 1-18" butterfly leaf	Stores up to 4 leaves, 2 w/skirts & 2 w/o
48" X 72"	Up to 4-12" leaves or 1-18" butterfly leaf	Stores up to 4 leaves, 2 w/skirts & 2 w/o

Available 84" long, N/A with butterfly leaves. See pricelist for details.

For more than 4 leaves, see page 35

## SPECIES

BROWN MAPLE • RED OAK • QSWO • CHERRY • HARD MAPLE • HICKORY • RUSTIC CHERRY • RUSTIC HICKORY • RUSTIC QSWO  
RUSTIC WALNUT • SAP CHERRY • WALNUT • WORMY MAPLE • PLAIN SAWN WHITE OAK • RUSTIC PLAIN SAWN WHITE OAK

## SHAPE OPTIONS



RECTANGLE



1" RADIUS  
CORNER



BOW END  
(STANDARD)

## EDGE OPTIONS



MISSION  
(STANDARD)



5/8" ROUND OVER



WATERFALL



BEVEL



CHAMFER

# BROOKLYN SINGLE

- 1¼" Round top with Mission edge standard
- Black powder coated metal base with levelers
- Floor to bottom of skirt 26½"
- Not available in pub height
- Shown in Rustic Walnut with Natural Finish  
*(Note: Actual color may vary from picture)*



## SIZES

42" X 42" Round	Up to 2-12" leaves
48" X 48" Round	Up to 2-12" leaves
54" X 54" Round	Up to 2-12" leaves

## SPECIES

BROWN MAPLE • RED OAK • QSWO • CHERRY • HARD MAPLE • HICKORY • RUSTIC CHERRY • RUSTIC HICKORY • RUSTIC QSWO  
RUSTIC WALNUT • SAP CHERRY • WALNUT • WORMY MAPLE • PLAIN SAWN WHITE OAK • RUSTIC PLAIN SAWN WHITE OAK

## SHAPE OPTIONS



ROUND

## EDGE OPTIONS



MISSION  
(STANDARD)



5/8" ROUNDOVER



WATERFALL



BEVEL



CHAMFER



# BROOKVILLE SINGLE

- 1" Round top with Bevel edge standard
- Base standard as shown with levelers
- Floor to bottom of skirt 26½"
- Recommended chair: Brookville from Artisan Chairs
- Shown in 30" height



## SIZES

48" X 48" Round	Up to 2-12" leaves or 1-18" butterfly leaf
54" X 54" Round	Up to 2-12" leaves or 1-18" butterfly leaf
60" X 60" Round	Up to 2-12" leaves or 1-18" butterfly leaf
72" X 72" Round	Solid top only

## SPECIES

BROWN MAPLE • RED OAK • QSWO • CHERRY • HARD MAPLE • HICKORY • RUSTIC CHERRY • RUSTIC HICKORY • RUSTIC QSWO  
RUSTIC WALNUT • SAP CHERRY • WALNUT • WORMY MAPLE • PLAIN SAWN WHITE OAK • RUSTIC PLAIN SAWN WHITE OAK

## SHAPE OPTIONS



ROUND

## EDGE OPTIONS



MISSION



5/8" ROUND OVER



WATERFALL



BEVEL  
(STANDARD)



CHAMFER

# BROOKVILLE SINGLE PUB

- 1" Round top with Bevel edge standard
- Base standard as shown with levelers
- Floor to bottom of skirt 32½"
- Shown in 36" height



## SIZES

- 48" X 48" Round Up to 2-12" leaves or 1-18" butterfly leaf
- 54" X 54" Round Up to 2-12" leaves or 1-18" butterfly leaf
- 60" X 60" Round Up to 2-12" leaves or 1-18" butterfly leaf

## SPECIES

BROWN MAPLE • RED OAK • QSWO • CHERRY • HARD MAPLE • HICKORY • RUSTIC CHERRY • RUSTIC HICKORY • RUSTIC QSWO  
RUSTIC WALNUT • SAP CHERRY • WALNUT • WORMY MAPLE • PLAIN SAWN WHITE OAK • RUSTIC PLAIN SAWN WHITE OAK

## SHAPE OPTIONS



ROUND

## EDGE OPTIONS



MISSION



5/8" ROUNDOVER



WATERFALL



BEVEL  
(STANDARD)



CHAMFER



# BURLINGTON SINGLE



60" X 60" 30" high  
Solid Top  
Brown Maple  
Standard shape & edge

- 1¼" Round top with Waterfall edge standard
- 13" pedestal standard with 48" & 54" top, 15" pedestal standard with 60" & 72" top
- Base standard as shown with levelers
- 42" round not available due to base size
- Floor to bottom of skirt 26½"
- Available in 36" height
- Recommended chair: Ramsey from FN Chairs
- Shown in Brown Maple with PCL Asbury Brown stain  
(Note: Actual color may vary from picture)



## SIZES

48" X 48" Round	Up to 2-12" leaves
54" X 54" Round	Up to 2-12" leaves
60" X 60" Round	Up to 2-12" leaves
72" X 72" Round	Solid top only

## SPECIES

BROWN MAPLE • RED OAK • QSWO • CHERRY • HARD MAPLE • HICKORY • RUSTIC CHERRY • RUSTIC HICKORY • RUSTIC QSWO  
RUSTIC WALNUT • SAP CHERRY • WALNUT • WORMY MAPLE • PLAIN SAWN WHITE OAK • RUSTIC PLAIN SAWN WHITE OAK

## SHAPE OPTIONS



ROUND

## EDGE OPTIONS



MISSION



5/8" ROUND OVER



WATERFALL  
(STANDARD)



BEVEL



CHAMFER



## BURLINGTON SINGLE

shown in Brown Maple with  
PCL Almond stain.

Shown with Artisan Bailey Chairs.

*(Note: Actual color may vary from picture)*



## BURLINGTON DOUBLE

shown in Brown Maple  
with PCL Asbury Brown  
stain, 48" X 108".

Shown with FN  
Ramsey Chairs.

*(Note: Actual color  
may vary from picture)*





# BURLINGTON DOUBLE

- 1¼" Bow End top with Waterfall edge standard
- Base standard as shown with levelers
- Floor to bottom of skirt 26½"
- Leaf table will have grain side-to-side
- Solid top will have grain lengthwise
- Shown in Brown Maple with PCL Asbury Brown stain, 48" X 108"  
*(Note: Actual color may vary from picture)*



## SIZES

42" X 96"	Up to 4-12" leaves	Stores up to 2 unskirted leaves
42" X 108"	Solid top only	
42" X 120"	Solid top only	
48" X 96"	Up to 4-12" leaves	Stores up to 2 unskirted leaves
48" X 108"	Solid top only	
48" X 120"	Solid top only	

## SPECIES

BROWN MAPLE • RED OAK • QSWO • CHERRY • HARD MAPLE • HICKORY • RUSTIC CHERRY • RUSTIC HICKORY • RUSTIC QSWO  
RUSTIC WALNUT • SAP CHERRY • WALNUT • WORMY MAPLE • PLAIN SAWN WHITE OAK • RUSTIC PLAIN SAWN WHITE OAK

## SHAPE OPTIONS



RECTANGLE



1" RADIUS  
CORNER



BOW END  
(STANDARD)

## EDGE OPTIONS



MISSION



5/8" ROUND OVER



WATERFALL  
(STANDARD)



BEVEL



CHAMFER

# CAMBRIDGE TRESTLE

- 1" Rectangle top with Mission edge standard
- Not available in pub height
- Base standard as shown with levelers
- Floor to bottom of skirt 26½"



## SIZES

42" X 60"	Up to 4-12" leaves or 1-18" butterfly leaf	Stores up to 4 unskirted leaves
42" X 66"	Up to 4-12" leaves or up to 2-18" butterfly leaves	Stores up to 4 leaves, 2 w/skirts & 2 w/o
42" X 72"	Up to 4-12" leaves or up to 2-18" butterfly leaves	Stores up to 4 leaves, 2 w/skirts & 2 w/o
48" X 60"	Up to 4-12" leaves or 1-18" butterfly leaf	Stores up to 4 leaves, 2 w/skirts & 2 w/o
48" X 66"	Up to 4-12" leaves or up to 2-18" butterfly leaves	Stores up to 4 unskirted leaves
48" X 72"	Up to 4-12" leaves or up to 2-18" butterfly leaves	Stores up to 4 unskirted leaves

Available 84" long, N/A with butterfly leaves. See pricelist for details.

For more than 4 leaves, see page 35

## SPECIES

BROWN MAPLE • RED OAK • QSWO • CHERRY • HARD MAPLE • HICKORY • RUSTIC CHERRY • RUSTIC HICKORY • RUSTIC QSWO  
RUSTIC WALNUT • SAP CHERRY • WALNUT • WORMY MAPLE • PLAIN SAWN WHITE OAK • RUSTIC PLAIN SAWN WHITE OAK

## SHAPE OPTIONS



Changing the top shape may affect self-store ability

## EDGE OPTIONS



# CAMBRIDGE BENCH

- 1" Rectangle top with Mission edge
- 18" high
- Leaf storage box to store all 4 leaves
- Solid tops will not have center legs
- Fabric or Leather bench top available – solid top only. See page 34 for details.



## SIZES

- |             |                                 |
|-------------|---------------------------------|
| 12 ½" X 48" | Solid top or up to 4-12" leaves |
| 12 ½" X 60" | Solid top or up to 4-12" leaves |
| 12 ½" X 72" | Solid top or up to 4-12" leaves |

## SPECIES

BROWN MAPLE • RED OAK • QSWO • CHERRY • HARD MAPLE • HICKORY • RUSTIC CHERRY • RUSTIC HICKORY • RUSTIC QSWO  
RUSTIC WALNUT • SAP CHERRY • WALNUT • WORMY MAPLE • PLAIN SAWN WHITE OAK • RUSTIC PLAIN SAWN WHITE OAK

## SHAPE OPTIONS



RECTANGLE

## EDGE OPTIONS



MISSION

# CANTERBURY BENCH

- 1" Bow End top with Waterfall edge standard
- 18" high
- Leaf storage box to store all 4 leaves
- Solid tops will not have center legs
- Fabric or Leather bench top available – solid top only. See page 34 for details.
- Shown in Brown Maple with PCL Lite Asbury top & PCL Onyx base  
*(Note: Actual color may vary from picture)*



## SIZES

12 ½" X 48"	Solid top or up to 4-12" leaves
12 ½" X 60"	Solid top or up to 4-12" leaves
12 ½" X 72"	Solid top or up to 4-12" leaves

## SPECIES

BROWN MAPLE • RED OAK • QSWO • CHERRY • HARD MAPLE • HICKORY • RUSTIC CHERRY • RUSTIC HICKORY • RUSTIC QSWO  
RUSTIC WALNUT • SAP CHERRY • WALNUT • WORMY MAPLE • PLAIN SAWN WHITE OAK • RUSTIC PLAIN SAWN WHITE OAK

## SHAPE OPTIONS



BOW END

## EDGE OPTIONS



WATERFALL



## CANTERBURY LEG

shown in Grey Elm with  
Michael's Cherry stain and  
Brown Maple base with  
Onyx stain. Shown with  
Artisan Canterbury Chairs.

*(Note: Actual color  
may vary from picture)*





# CANTERBURY LEG

- 1" Canterbury top with Waterfall edge standard
- 3½" arched skirt
- Legs standard as shown
- Available in 36" height
- Floor to bottom of skirt is 25½" at the legs and 26½" at the center
- Recommended chair: Canterbury from Artisan Chairs



## SIZES

42" X 60"	Up to 4-12" leaves or 1-18" butterfly leaf	Stores up to 4 leaves, 2 w/skirts & 2 w/o
42" X 66"	Up to 4-12" leaves or 1-18" butterfly leaf	Stores up to 4 leaves, 2 w/skirts & 2 w/o
42" X 72"	Up to 4-12" leaves or 1-18" butterfly leaf	Stores up to 4 leaves, 2 w/skirts & 2 w/o
48" X 60"	Up to 4-12" leaves or 1-18" butterfly leaf	Stores up to 4 leaves, 2 w/skirts & 2 w/o
48" X 66"	Up to 4-12" leaves or 1-18" butterfly leaf	Stores up to 4 leaves, 2 w/skirts & 2 w/o
48" X 72"	Up to 4-12" leaves or 1-18" butterfly leaf	Stores up to 4 leaves, 2 w/skirts & 2 w/o

Available 84" long, N/A with butterfly leaves. See pricelist for details.

For more than 4 leaves, see page 35

## SPECIES

BROWN MAPLE • RED OAK • QSWO • CHERRY • HARD MAPLE • HICKORY • RUSTIC CHERRY • RUSTIC HICKORY • RUSTIC QSWO  
RUSTIC WALNUT • SAP CHERRY • WALNUT • WORMY MAPLE • PLAIN SAWN WHITE OAK • RUSTIC PLAIN SAWN WHITE OAK

## SHAPE OPTIONS



RECTANGLE



1" RADIUS  
CORNER



CANTERBURY  
(STANDARD)

## EDGE OPTIONS



MISSION



5/8" ROUNDOVER



WATERFALL  
(STANDARD)



BEVEL



CHAMFER

# CARLIN LEG



- 1" Rectangle top with Mission edge standard
- Legs standard as shown
- Floor to bottom of skirt 26"
- Available in 36" height
- Shown in Brown Maple with PCL Sandstone 10 sheen finish  
*(Note: Actual color may vary from picture)*



## SIZES

42" X 60"	Up to 4-12" leaves or 1-18" butterfly leaf	Stores up to 4 leaves, 2 w/skirts & 2 w/o
42" X 66"	Up to 4-12" leaves or 1-18" butterfly leaf	Stores up to 4 leaves, 2 w/skirts & 2 w/o
42" X 72"	Up to 4-12" leaves or 1-18" butterfly leaf	Stores up to 4 leaves, 2 w/skirts & 2 w/o
48" X 60"	Up to 4-12" leaves or 1-18" butterfly leaf	Stores up to 4 leaves, 2 w/skirts & 2 w/o
48" X 66"	Up to 4-12" leaves or 1-18" butterfly leaf	Stores up to 4 leaves, 2 w/skirts & 2 w/o
48" X 72"	Up to 4-12" leaves or 1-18" butterfly leaf	Stores up to 4 leaves, 2 w/skirts & 2 w/o

*Available 84" long, N/A with butterfly leaves. See pricelist for details.*

*For more than 4 leaves, see page 35*

## SPECIES

BROWN MAPLE • RED OAK • QSWO • CHERRY • HARD MAPLE • HICKORY • RUSTIC CHERRY • RUSTIC HICKORY • RUSTIC QSWO  
RUSTIC WALNUT • SAP CHERRY • WALNUT • WORMY MAPLE • PLAIN SAWN WHITE OAK • RUSTIC PLAIN SAWN WHITE OAK

## SHAPE OPTIONS



RECTANGLE  
(STANDARD)



1" RADIUS  
CORNER



BOW END

## EDGE OPTIONS



MISSION  
(STANDARD)



5/8" ROUNDOVER



WATERFALL



BEVEL



CHAMFER



# CARSON SINGLE

- 1" Round top with Mission edge standard
- Base standard as shown with levelers
- Floor to bottom of skirt 26½"
- Available in 36" height
- Shown in Brown Maple with Med-Dis. PCL Lite Asbury finish  
*(Note: Actual color may vary from picture)*



## SIZES

- 48" X 48" Round    Up to 2-12" leaves or 1-18" butterfly leaf
- 54" X 54" Round    Up to 2-12" leaves or 1-18" butterfly leaf

## SPECIES

BROWN MAPLE • RED OAK • QSWO • CHERRY • HARD MAPLE • HICKORY • RUSTIC CHERRY • RUSTIC HICKORY • RUSTIC QSWO  
RUSTIC WALNUT • SAP CHERRY • WALNUT • WORMY MAPLE • PLAIN SAWN WHITE OAK • RUSTIC PLAIN SAWN WHITE OAK

## SHAPE OPTIONS



ROUND

## EDGE OPTIONS



MISSION  
(STANDARD)



5/8" ROUND OVER



WATERFALL



BEVEL



CHAMFER

# CENTURY CABINET

- 1" top with 1" radius corners with Waterfall edge standard
- Base standard as shown with levelers
- 36781-CZ Hardware standard
- Cabinet base is 25" w x 25" d (no options)
- Side mount drawer slides
- 36" high standard. Also available in 30" & 42" h (30" h only has 2 drawers)
- Floor to bottom of skirt 32½"
- Not available with Round top
- Shown in Rustic Walnut with Natural finish  
(Note: Actual color may vary from picture)



## SIZES

42" X 42"	Solid top, 1-12" leaf, or 1-18" butterfly leaf
42" X 48"	Solid top, 1-12" leaf, or 1-18" butterfly leaf
42" X 54"	Solid top, 1-12" leaf, or 1-18" butterfly leaf
48" X 48"	Solid top, 1-12" leaf, or 1-18" butterfly leaf
48" X 54"	Solid top, 1-12" leaf, or 1-18" butterfly leaf

## SPECIES

BROWN MAPLE • RED OAK • QSWO • CHERRY • HARD MAPLE • HICKORY • RUSTIC CHERRY • RUSTIC HICKORY • RUSTIC QSWO  
RUSTIC WALNUT • SAP CHERRY • WALNUT • WORMY MAPLE • PLAIN SAWN WHITE OAK • RUSTIC PLAIN SAWN WHITE OAK

## SHAPE OPTIONS



RECTANGLE



1" RADIUS  
CORNER  
(STANDARD)



BOW END

## EDGE OPTIONS



MISSION



5/8" ROUNDOVER



WATERFALL  
(STANDARD)



BEVEL



CHAMFER



## CENTURY CABINET

shown in Rustic Walnut  
with Natural finish. Shown  
with FN Sophia Bar Stools.

*(Note: Actual color  
may vary from picture)*





## CHANCELLOR DOUBLE

shown in Brown Maple  
with PCL Earthtone  
stain. Shown with  
Artisan Albany Chairs.

*(Note: Actual color  
may vary from picture)*





# CHANCELLOR DOUBLE

- 1" Banquet top with Bevel edge standard
- Base standard as shown with levelers
- **Pedestals do not move apart as top opens**
- Floor to bottom of skirt 26½"
- Available in 36" height



## SIZES

42" X 72" Up to 4-12" leaves  
48" X 72" Up to 4-12" leaves

Stores up to 4 leaves, 2 w/skirts & 2 w/o  
Stores up to 4 leaves, 2 w/skirts & 2 w/o

*For more than 4 leaves, see page 35*

## SPECIES

BROWN MAPLE • RED OAK • QSWO • CHERRY • HARD MAPLE • HICKORY • RUSTIC CHERRY • RUSTIC HICKORY • RUSTIC QSWO  
RUSTIC WALNUT • SAP CHERRY • WALNUT • WORMY MAPLE • PLAIN SAWN WHITE OAK • RUSTIC PLAIN SAWN WHITE OAK

## SHAPE OPTIONS



RECTANGLE



1" RADIUS  
CORNER



BOW END



8" SQUARE  
ROUND



BANQUET  
(STANDARD)

*Changing the top shape may affect self-store ability*

## EDGE OPTIONS



MISSION



5/8" ROUNDOVER



WATERFALL



BEVEL  
(STANDARD)



CHAMFER

# CHANCELLOR SINGLE

- 1" Round top with Bevel edge standard
- Base standard as shown with levelers
- Floor to bottom of skirt 26½"
- Available in 36" height



## SIZES

42" X 42" Round	Up to 2-12" leaves or 1-18" butterfly leaf
48" X 48" Round	Up to 2-12" leaves or 1-18" butterfly leaf
54" X 54" Round	Up to 2-12" leaves or 1-18" butterfly leaf

## SPECIES

BROWN MAPLE • RED OAK • QSWO • CHERRY • HARD MAPLE • HICKORY • RUSTIC CHERRY • RUSTIC HICKORY • RUSTIC QSWO  
RUSTIC WALNUT • SAP CHERRY • WALNUT • WORMY MAPLE • PLAIN SAWN WHITE OAK • RUSTIC PLAIN SAWN WHITE OAK

## SHAPE OPTIONS



ROUND

## EDGE OPTIONS



MISSION



5/8" ROUND OVER



WATERFALL



BEVEL  
(STANDARD)



CHAMFER



# CHESAPEAKE TRESTLE

- 1" Rectangle top with Mission edge standard
- Base standard as shown (with levelers)
- Floor to bottom of skirt 26½"
- Not available in pub height
- Shown in Brown Maple with PCL Earthtone top & FP-5155 Country White base  
*(Note: Actual color may vary from picture)*



## SIZES

42" X 60"	Up to 4-12" leaves	Stores up to 4 unskirted leaves
42" X 66"	Up to 4-12" leaves	Stores up to 4 leaves, 2 w/skirts & 2 w/o
42" X 72"	Up to 4-12" leaves	Stores up to 4 leaves, 2 w/skirts & 2 w/o
48" X 60"	Up to 4-12" leaves	Stores up to 4 leaves, 2 w/skirts & 2 w/o
48" X 66"	Up to 4-12" leaves	Stores up to 4 unskirted leaves
48" X 72"	Up to 4-12" leaves	Stores up to 4 unskirted leaves

Available 84" long, N/A with butterfly leaves. See pricelist for details.

For more than 4 leaves, see page 35

## SPECIES

BROWN MAPLE • RED OAK • QSWO • CHERRY • HARD MAPLE • HICKORY • RUSTIC CHERRY • RUSTIC HICKORY • RUSTIC QSWO  
RUSTIC WALNUT • SAP CHERRY • WALNUT • WORMY MAPLE • PLAIN SAWN WHITE OAK • RUSTIC PLAIN SAWN WHITE OAK

## SHAPE OPTIONS



Changing the top shape may affect self-store ability

## EDGE OPTIONS



# CHESAPEAKE BENCH

- 1" Rectangle top with Mission edge standard
- 18" high
- Leaf storage box to store all 4 leaves
- Solid tops will not have center legs
- Fabric or Leather bench top available – solid top only. See page 34 for details.
- Shown in Brown Maple with PCL Earthtone top & FP-5155 Country White base  
(Note: Actual color may vary from picture)



## SIZES

12 ½" X 48"	Solid top or up to 4-12" leaves
12 ½" X 60"	Solid top or up to 4-12" leaves
12 ½" X 72"	Solid top or up to 4-12" leaves

## SPECIES

BROWN MAPLE • RED OAK • QSWO • CHERRY • HARD MAPLE • HICKORY • RUSTIC CHERRY • RUSTIC HICKORY • RUSTIC QSWO  
RUSTIC WALNUT • SAP CHERRY • WALNUT • WORMY MAPLE • PLAIN SAWN WHITE OAK • RUSTIC PLAIN SAWN WHITE OAK

## SHAPE OPTIONS



RECTANGLE

## EDGE OPTIONS



MISSION



# CHEYENNE BENCH

- 1¼" Rectangle top with Mission edge standard
- Leaf storage box to store all 4 leaves
- Solid tops will not have center legs
- Fabric or Leather bench top available – solid top only. See page 34 for details.
- Shown in Rough Sawn Wormy Maple with PCL Shadow 10 sheen top and PCL Bel Air 10 sheen base (Note: Actual color may vary from picture)



## SIZES

- 12 ½" X 48" Solid top or up to 4-12" leaves
- 12 ½" X 54" Solid top or up to 4-12" leaves

## SPECIES

ROUGH SAWN WORMY MAPLE

## SHAPE OPTIONS



RECTANGLE

## EDGE OPTIONS



MISSION

# CHEYENNE LEG

- 1¼" Rectangle top with Mission edge standard
- Floor to bottom of skirt 26½"
- Available in 36" height
- Shown in Rough Sawn Wormy Maple with PCL Almond, 10 sheen finish  
*(Note: Actual color may vary from picture)*



## SIZES

36" X 42"	Up to 4-12" leaves	Self-store NOT available
36" X 48"	Up to 4-12" leaves	Stores up to 2 leaves, 1 w/skirts & 1 w/o
36" X 54"	Up to 4-12" leaves	Stores up to 2 leaves, 1 w/skirts & 1 w/o
42" X 42"	Up to 4-12" leaves	Self-store NOT available
42" X 48"	Up to 4-12" leaves	Self-store NOT available
42" X 54"	Up to 4-12" leaves	Stores up to 4 leaves, 2 w/skirts & 2 w/o

## SPECIES

ROUGH SAWN WORMY MAPLE

## SHAPE OPTIONS



RECTANGLE

## EDGE OPTIONS



MISSION



# COLBY BENCH



- 1" Rectangle top with Mission edge standard
- 18" high
- Leaf storage box to store all 4 leaves
- Solid tops will not have center legs
- Fabric or Leather bench top available – solid top only. See page 34 for details.
- Shown in Hickory with PCL Earthtone 10 sheen finish  
*(Note: Actual color may vary from picture)*



## SIZES

- 12 ½ X 48 Solid top or up to 4-12" leaves
- 12 ½ X 60 Solid top or up to 4-12" leaves
- 12 ½ X 72 Solid top or up to 4-12" leaves

## SPECIES

BROWN MAPLE • RED OAK • QSWO • CHERRY • HARD MAPLE • HICKORY • RUSTIC CHERRY • RUSTIC HICKORY • RUSTIC QSWO  
RUSTIC WALNUT • SAP CHERRY • WALNUT • WORMY MAPLE • PLAIN SAWN WHITE OAK • RUSTIC PLAIN SAWN WHITE OAK

## SHAPE OPTIONS



RECTANGLE

## EDGE OPTIONS



MISSION

# COLBY LEG

- 1" Rectangle top with Mission edge standard
- Legs standard as shown
- Floor to bottom of skirt 25½"
- Available in 36" height
- Shown in Brown Maple with PCL Almond  
*(Note: Actual color may vary from picture)*



## SIZES

42" X 60"	Up to 4-12" leaves or 1-18" butterfly leaf	Stores up to 4 leaves, 2 w/skirts & 2 w/o
42" X 66"	Up to 4-12" leaves or 1-18" butterfly leaf	Stores up to 4 leaves, 2 w/skirts & 2 w/o
42" X 72"	Up to 4-12" leaves or 1-18" butterfly leaf	Stores up to 4 leaves, 2 w/skirts & 2 w/o
48" X 60"	Up to 4-12" leaves or 1-18" butterfly leaf	Stores up to 4 leaves, 2 w/skirts & 2 w/o
48" X 66"	Up to 4-12" leaves or 1-18" butterfly leaf	Stores up to 4 leaves, 2 w/skirts & 2 w/o
48" X 72"	Up to 4-12" leaves or 1-18" butterfly leaf	Stores up to 4 leaves, 2 w/skirts & 2 w/o

Available 84" long, N/A with butterfly leaves. See pricelist for details.

For more than 4 leaves, see page 35

## SPECIES

BROWN MAPLE • RED OAK • QSWO • CHERRY • HARD MAPLE • HICKORY • RUSTIC CHERRY • RUSTIC HICKORY • RUSTIC QSWO  
RUSTIC WALNUT • SAP CHERRY • WALNUT • WORMY MAPLE • PLAIN SAWN WHITE OAK • RUSTIC PLAIN SAWN WHITE OAK

## SHAPE OPTIONS



RECTANGLE  
(STANDARD)



1" RADIUS  
CORNER



BOW END

## EDGE OPTIONS



MISSION  
(STANDARD)



5/8" ROUNDOVER



WATERFALL



BEVEL



CHAMFER



## COLBY LEG

shown in Brown Maple  
with PCL Almond stain.

Shown with Artisan  
Alexander Chairs.

*(Note: Actual color  
may vary from picture)*





# COLEBROOK BENCH

- 1" Rectangle top with Mission edge standard
- 18" high
- Leaf storage box to store all 4 leaves
- Solid tops will not have center legs
- Fabric or Leather bench top available – solid top only. See page 34 for details.



## SIZES

12 ½" X 48"	Solid top or up to 4-12" leaves
12 ½" X 60"	Solid top or up to 4-12" leaves
12 ½" X 72"	Solid top or up to 4-12" leaves

## SPECIES

BROWN MAPLE • RED OAK • QSWO • CHERRY • HARD MAPLE • HICKORY • RUSTIC CHERRY • RUSTIC HICKORY • RUSTIC QSWO  
RUSTIC WALNUT • SAP CHERRY • WALNUT • WORMY MAPLE • PLAIN SAWN WHITE OAK • RUSTIC PLAIN SAWN WHITE OAK

## SHAPE OPTIONS



RECTANGLE

## EDGE OPTIONS



MISSION

# COLEBROOK TRESTLE

- 1" Boat shape top with Bevel edge standard
- Black inlay in top & base
- Floor to bottom of skirt 26½"
- Available in 36" height
- Recommended chair: Colebrook from RH Yoder



## SIZES

42" X 60"	Up to 4-12" leaves or 1-18" butterfly leaf	Stores up to 4 unskirted leaves
42" X 66"	Up to 4-12" leaves or up to 2-18" butterfly leaves	Stores up to 4 leaves, 2 w/skirts & 2 w/o
42" X 72"	Up to 4-12" leaves or up to 2-18" butterfly leaves	Stores up to 4 leaves, 2 w/skirts & 2 w/o
48" X 60"	Up to 4-12" leaves or 1-18" butterfly leaf	Stores up to 4 leaves, 2 w/skirts & 2 w/o
48" X 66"	Up to 4-12" leaves or up to 2-18" butterfly leaves	Stores up to 4 unskirted leaves
48" X 72"	Up to 4-12" leaves or up to 2-18" butterfly leaves	Stores up to 4 unskirted leaves

Available 84" long, N/A with butterfly leaves. See pricelist for details.

For more than 4 leaves, see page 35

## SPECIES

BROWN MAPLE • RED OAK • QSWO • CHERRY • HARD MAPLE • HICKORY • RUSTIC CHERRY • RUSTIC HICKORY • RUSTIC QSWO  
 RUSTIC WALNUT • SAP CHERRY • WALNUT • WORMY MAPLE • PLAIN SAWN WHITE OAK • RUSTIC PLAIN SAWN WHITE OAK

## SHAPE OPTIONS



Changing the top shape may affect self-store ability

## EDGE OPTIONS



## COLEBROOK TRESTLE

shown in Quarter  
Sawn White Oak with  
Michael's Cherry stain.  
Shown with RH Yoder  
Colebrook Chairs.

*(Note: Actual color  
may vary from picture)*





# COLUMBUS BENCH

- 1¼" Rectangle top with Mission edge standard
- Leaf storage box to store all 4 leaves
- Solid tops will not have center legs
- Fabric or Leather bench top available – solid top only. See page 34 for details.
- Shown in Rough Sawn Wormy Maple with PCL Almond 10 sheen finish  
(Note: Actual color may vary from picture)



12½" X 72" 2-12" leaf  
Rough Sawn  
Wormy Maple  
Standard shape & edge



## SIZES

12 ½" X 48"	Solid top or up to 4-12" leaves
12 ½" X 60"	Solid top or up to 4-12" leaves
12 ½" X 72"	Solid top or up to 4-12" leaves

## SPECIES

ROUGH SAWN WORMY MAPLE

## SHAPE OPTIONS



RECTANGLE

## EDGE OPTIONS



MISSION

# COLUMBUS TRESTLE



42" X 72"  
2-12" S/S leaves  
Rough Sawn  
Wormy Maple  
Standard shape & edge

- 1¼" Rectangle top with Mission edge standard
- Base standard as shown with levelers
- Authentic "thru-tenon" in base
- Floor to bottom of skirt 26½"
- Not available in pub height
- Shown in Rough Sawn Wormy Maple with PCL Almond 10 sheen finish  
(Note: Actual color may vary from picture)



## SIZES

42" X 60"	Up to 4-12" leaves	Stores up to 4 unskirted leaves
42" X 66"	Up to 4-12" leaves	Stores up to 4 leaves, 2 w/skirts & 2 w/o
42" X 72"	Up to 4-12" leaves	Stores up to 4 leaves, 2 w/skirts & 2 w/o
48" X 60"	Up to 4-12" leaves	Stores up to 4 leaves, 2 w/skirts & 2 w/o
48" X 66"	Up to 4-12" leaves	Stores up to 4 unskirted leaves
48" X 72"	Up to 4-12" leaves	Stores up to 4 unskirted leaves

Available 84" long, N/A with butterfly leaves. See pricelist for details.

## SPECIES

ROUGH SAWN WORMY MAPLE

## SHAPE OPTIONS



RECTANGLE

## EDGE OPTIONS



MISSION



## COLUMBUS TRESTLE

shown in Rough Sawn  
Wormy Maple with  
PCL Almond 10 sheen  
finish. Shown with  
Artisan Columbus  
Chairs.

*(Note: Actual color  
may vary from picture)*





# DALLAS TRESTLE

- 1¼" Rectangle top with Mission edge standard
- Base standard as shown with levelers
- Floor to bottom of skirt 26½"
- Available in 36" height
- Shown in Rough Sawn Wormy Maple with PCL Harvest, 10 sheen finish  
(Note: Actual color may vary from picture)



## SIZES

36" X 48"	Up to 3-12" leaves	Stores up to 2 unskirted leaves
36" X 54"	Up to 3-12" leaves	Stores up to 2 unskirted leaves
36" X 60"	Up to 3-12" leaves	Stores up to 2 unskirted leaves
42" X 48"	Up to 3-12" leaves	Self-store NOT available
42" X 54"	Up to 3-12" leaves	Stores up to 3 unskirted leaves
42" X 60"	Up to 3-12" leaves	Stores up to 3 unskirted leaves

## SPECIES

ROUGH SAWN WORMY MAPLE

## SHAPE OPTIONS



RECTANGLE

## EDGE OPTIONS



MISSION

# DAYTON LEG

- 1" smooth Rectangle top with grain lengthwise and Mission edge standard
- 2 ½" x 2 ½" x 29" taper shaker legs standard
- Floor to bottom of skirt 26½"
- Available in 36" height



## SIZES

42" X 30"	Solid top only
42" X 33"	Solid top only
42" X 36"	Solid top only
48" X 30"	Solid top only
48" X 33"	Solid top only
48" X 36"	Solid top only

## SPECIES

BROWN MAPLE • RED OAK • QSWO • CHERRY • HARD MAPLE • HICKORY • RUSTIC CHERRY • RUSTIC HICKORY • RUSTIC QSWO  
RUSTIC WALNUT • SAP CHERRY • WALNUT • WORMY MAPLE • PLAIN SAWN WHITE OAK • RUSTIC PLAIN SAWN WHITE OAK

## SHAPE OPTIONS



RECTANGLE  
(STANDARD)



1" RADIUS  
CORNER

## EDGE OPTIONS



MISSION  
(STANDARD)



5/8" ROUNDOVER



WATERFALL



BEVEL



CHAMFER



# DENVER BENCH

- 1" Rectangle top with Mission edge
- 18" high
- Leaf storage box to store all 4 leaves
- Solid tops will not have center legs
- Fabric or Leather bench top available – solid top only. See page 34 for details.



## SIZES

- |             |                                 |
|-------------|---------------------------------|
| 12 ½" X 48" | Solid top or up to 4-12" leaves |
| 12 ½" X 60" | Solid top or up to 4-12" leaves |
| 12 ½" X 72" | Solid top or up to 4-12" leaves |

## SPECIES

BROWN MAPLE • RED OAK • QSWO • CHERRY • HARD MAPLE • HICKORY • RUSTIC CHERRY • RUSTIC HICKORY • RUSTIC QSWO  
RUSTIC WALNUT • SAP CHERRY • WALNUT • WORMY MAPLE • PLAIN SAWN WHITE OAK • RUSTIC PLAIN SAWN WHITE OAK

## SHAPE OPTIONS



RECTANGLE

## EDGE OPTIONS



MISSION

# DENVER LEG



42" X 72" 30" high  
2-12" S/S leaves  
Red Oak or  
Rustic Hickory  
Standard shape & edge

- 1" Rectangle top with Bevel edge standard
- 2½" straight skirt standard
- Non-g geared wooden slides
- Floor to bottom of skirt 26½"
- Available in 36" height



## SIZES

42" X 60"	Up to 4-12" leaves or 1-18" butterfly leaf	Stores up to 4 leaves, 2 w/skirts & 2 w/o
42" X 66"	Up to 4-12" leaves or 1-18" butterfly leaf	Stores up to 4 leaves, 2 w/skirts & 2 w/o
42" X 72"	Up to 4-12" leaves or 1-18" butterfly leaf	Stores up to 4 leaves, 2 w/skirts & 2 w/o
48" X 60"	Up to 4-12" leaves or 1-18" butterfly leaf	Stores up to 4 leaves, 2 w/skirts & 2 w/o
48" X 66"	Up to 4-12" leaves or 1-18" butterfly leaf	Stores up to 4 leaves, 2 w/skirts & 2 w/o
48" X 72"	Up to 4-12" leaves or 1-18" butterfly leaf	Stores up to 4 leaves, 2 w/skirts & 2 w/o

Available 84" long, N/A with butterfly leaves. See pricelist for details.

For more than 4 leaves, see page 35

## SPECIES

BROWN MAPLE • RED OAK • QSWO • CHERRY • HARD MAPLE • HICKORY • RUSTIC CHERRY • RUSTIC HICKORY • RUSTIC QSWO  
RUSTIC WALNUT • SAP CHERRY • WALNUT • WORMY MAPLE • PLAIN SAWN WHITE OAK • RUSTIC PLAIN SAWN WHITE OAK

## SHAPE OPTIONS



RECTANGLE  
(STANDARD)



1" RADIUS  
CORNER



BOW END



BOAT

Changing the top shape may affect self-store ability

## EDGE OPTIONS



MISSION



5/8" ROUNDOVER



WATERFALL



BEVEL  
(STANDARD)



CHAMFER



## DENVER LEG

shown in Brown Maple  
with PCL Earthtone  
stain. Shown with FN  
Ramsey Chairs.

*(Note: Actual color  
may vary from picture)*





## DOVER LEG

shown in Red Oak  
with PCL Grey Flannel  
stain. Shown with FN  
Lodge Chairs.

*(Note: Actual color  
may vary from picture)*





# DOVER LEG

- 1" Rectangle top with Mission edge standard
- 2½" straight skirt
- 2½" x 2½" x 29" taper shaker legs standard
- Floor to bottom of skirt 26½"
- Available in 36" height



36" X 48" 30" high  
2-12" S/S leaves  
Red Oak or  
Brown Maple  
Standard shape & edge



## SIZES

36" X 42"	Up to 4-12" leaves	Self-store NOT available
36" X 48"	Up to 4-12" leaves	Stores up to 2 leaves, 1 w/skirts & 1 w/o
36" X 54"	Up to 4-12" leaves	Stores up to 2 leaves, 1 w/skirts & 1 w/o
42" X 42"	Up to 4-12" leaves	Self-store NOT available
42" X 48"	Up to 4-12" leaves	Self-store NOT available
42" X 54"	Up to 4-12" leaves	Stores up to 4 leaves, 2 w/skirts & 2 w/o

## SPECIES

BROWN MAPLE • RED OAK • QSWO • CHERRY • HARD MAPLE • HICKORY • RUSTIC CHERRY • RUSTIC HICKORY • RUSTIC QSWO  
RUSTIC WALNUT • SAP CHERRY • WALNUT • WORMY MAPLE • PLAIN SAWN WHITE OAK • RUSTIC PLAIN SAWN WHITE OAK

## SHAPE OPTIONS



RECTANGLE  
(STANDARD)



1" RADIUS  
CORNER



BOW END

## EDGE OPTIONS



MISSION  
(STANDARD)



5/8" ROUND  
OVER



WATERFALL



BEVEL



CHAMFER

# DURANGO TRESTLE

- 3" Edge band top with 1/4" roundover corners and edge standard
- Black powder coated metal base with wood stretcher
- Base standard as shown with levelers
- Floor to bottom of top 27"
- Not available in pub height
- Shown in Rustic Walnut with Natural finish  
(Note: Actual color may vary from picture)



## SIZES

42" X 84"	Solid top only
42" X 96"	Solid top only
42" X 108"	Solid top only
42" X 120"	Solid top only
48" X 84"	Solid top only
48" X 96"	Solid top only
48" X 108"	Solid top only
48" X 120"	Solid top only

## SPECIES

BROWN MAPLE • RED OAK • QSWO • CHERRY • RUSTIC CHERRY • RUSTIC QSWO • RUSTIC WALNUT  
SAP CHERRY • WALNUT • WORMY MAPLE • PLAIN SAWN WHITE OAK • RUSTIC PLAIN SAWN WHITE OAK  
N/A IN GREY ELM, HARD MAPLE, HICKORY, RUSTIC HICKORY

## SHAPE OPTIONS



1/4" RADIUS  
CORNER

## EDGE OPTIONS



1/4" ROUNDOVER



# DURANGO DOUBLE BENCH

- 1¾" Rectangle top with Mission edge standard
- 18¾" high
- Black powder coated metal base with wood stretcher
- Shown in Rustic Walnut with Natural finish  
(Note: Actual color may vary from picture)



## SIZES

- |             |                |
|-------------|----------------|
| 12 ½" X 84" | Solid top only |
| 12 ½" X 96" | Solid top only |

## SPECIES

BROWN MAPLE • RED OAK • QSWO • CHERRY • RUSTIC CHERRY • RUSTIC QSWO • RUSTIC WALNUT  
SAP CHERRY • WALNUT • WORMY MAPLE • PLAIN SAWN WHITE OAK • RUSTIC PLAIN SAWN WHITE OAK  
N/A IN GREY ELM, HARD MAPLE, HICKORY, RUSTIC HICKORY

## SHAPE OPTIONS



RECTANGLE

## EDGE OPTIONS



MISSION

# DURANGO TRIPLE BENCH

- 1¾" Rectangle top with Mission edge standard
- 18¾" high
- Black powder coated metal base with wood stretcher
- Shown in Rustic Walnut with Natural finish  
*(Note: Actual color may vary from picture)*



## SIZES

- 12 ½" X 108" Solid top only  
12 ½" X 120" Solid top only

## SPECIES

BROWN MAPLE • RED OAK • QSWO • CHERRY • RUSTIC CHERRY • RUSTIC QSWO • RUSTIC WALNUT  
SAP CHERRY • WALNUT • WORMY MAPLE • PLAIN SAWN WHITE OAK • RUSTIC PLAIN SAWN WHITE OAK  
*N/A IN GREY ELM, HARD MAPLE, HICKORY, RUSTIC HICKORY*

## SHAPE OPTIONS



RECTANGLE

## EDGE OPTIONS



MISSION



# EASTON SINGLE

- 1" Round top with Waterfall edge
- Base standard as shown with levelers
- Floor to bottom of skirt 26½"
- Available in 36" height



## SIZES

42" X 42" Round    Up to 2-12" leaves or 1-18" butterfly leaf  
48" X 48" Round    Up to 2-12" leaves or 1-18" butterfly leaf

## SPECIES

BROWN MAPLE • RED OAK • QSWO • CHERRY • HARD MAPLE • HICKORY • RUSTIC CHERRY • RUSTIC HICKORY • RUSTIC QSWO  
RUSTIC WALNUT • SAP CHERRY • WALNUT • WORMY MAPLE • PLAIN SAWN WHITE OAK • RUSTIC PLAIN SAWN WHITE OAK

## SHAPE OPTIONS



ROUND

## EDGE OPTIONS



MISSION



5/8" ROUNDOVER



WATERFALL  
(STANDARD)



BEVEL



CHAMFER

# EL PASO TRESTLE

- 1¾" Rectangle top with Mission edge standard
- Authentic "thru-tenon" in base
- Recommended chair: Houston from FN Chairs
- Floor to bottom of skirt 26½"
- The 68" table will only fit one chair per side
- Available in 36" height
- Shown in Rough Sawn Wormy Maple with PCL Almond 10 sheen  
*(Note: Actual color may vary from picture)*



48" X 80" 30" high  
2-16" leaf  
Rough Sawn  
Wormy Maple  
Standard shape & edge



## SIZES

42" X 68"	Up to 3-16" leaves	Self-store not available
42" X 80"	Up to 3-16" leaves	Self-store not available
48" X 68"	Up to 3-16" leaves	Self-store not available
48" X 80"	Up to 3-16" leaves	Self-store not available

## SPECIES

ROUGH SAWN WORMY MAPLE

## SHAPE OPTIONS



RECTANGLE

## EDGE OPTIONS



MISSION



## EL PASO TRESTLE

shown in Rough Sawn  
Wormy Maple with  
PCL Almond  
10 sheen finish. Shown  
with FN Chairs  
Houston Chairs.

*(Note: Actual color  
may vary from picture)*





# EL PASO BENCH

- 1¾" Rectangle top with Mission standard
- Solid tops will not have center legs
- Shown in Rough Sawn Wormy Maple with PCL Almond, 10 sheen finish  
(Note: Actual color may vary from picture)



12½" X 80" 2-16" leaf  
Rough Sawn  
Wormy Maple  
Standard shape & edge



## SIZES

- 12 ½" X 68" Solid top or up to 3-16" leaves  
12 ½" X 80" Solid top or up to 3-16" leaves

## SPECIES

ROUGH SAWN WORMY MAPLE

## SHAPE OPTIONS



RECTANGLE

## EDGE OPTIONS



MISSION

# ELLIANNA CABINET

- 1" top with 1" radius corners with Mission edge standard
- Base standard as shown with levelers
- K2040-BL hardware standard
- Cabinet base is 26" w x 26" d (no options)
- Side mount drawer slides
- 36" high standard. Also available in 30" & 42" h (30" h only has 2 drawers)
- Floor to bottom of skirt 32½"
- Not available with Round top
- Shown in Brown Maple with PCL Harvest stain  
*(Note: Actual color may vary from picture)*



## SIZES

- 42" X 42" Solid top, 1-12" leaf, or 1-18" butterfly leaf
- 42" X 48" Solid top, 1-12" leaf, or 1-18" butterfly leaf
- 42" X 54" Solid top, 1-12" leaf, or 1-18" butterfly leaf
- 48" X 48" Solid top, 1-12" leaf, or 1-18" butterfly leaf
- 48" X 54" Solid top, 1-12" leaf, or 1-18" butterfly leaf

## SPECIES

BROWN MAPLE • RED OAK • QSWO • CHERRY • HARD MAPLE • HICKORY • RUSTIC CHERRY • RUSTIC HICKORY • RUSTIC QSWO  
RUSTIC WALNUT • SAP CHERRY • WALNUT • WORMY MAPLE • PLAIN SAWN WHITE OAK • RUSTIC PLAIN SAWN WHITE OAK

## SHAPE OPTIONS



RECTANGLE



1" RADIUS  
CORNER  
(STANDARD)



BOW END

## EDGE OPTIONS



MISSION  
(STANDARD)



5/8" ROUNDOVER



WATERFALL



BEVEL



CHAMFER



## ELLIANNA LEG

shown in Plain Sawn  
White Oak with Natural  
10 sheen finish. Shown  
with FN Ellianna Chairs.

*(Note: Actual color  
may vary from picture)*





# ELLIANNA LEG



42" X 72" 30" high  
2-12" S/S leaves  
Oak or Brown Maple  
Standard shape & edge

- 1" Rectangle top with 2" Radius corners and Mission edge standard
- Legs standard as shown
- Floor to bottom of skirt 26"
- Available in 36" height
- Shown in Plain Sawn White Oak with Natural 10 sheen finish  
(Note: Actual color may vary from picture)



## SIZES

42" X 60"	Up to 4-12" leaves or 1-18" butterfly leaf	Stores up to 4 leaves, 2 w/skirts & 2 w/o
42" X 66"	Up to 4-12" leaves or 1-18" butterfly leaf	Stores up to 4 leaves, 2 w/skirts & 2 w/o
42" X 72"	Up to 4-12" leaves or 1-18" butterfly leaf	Stores up to 4 leaves, 2 w/skirts & 2 w/o
48" X 60"	Up to 4-12" leaves or 1-18" butterfly leaf	Stores up to 4 leaves, 2 w/skirts & 2 w/o
48" X 66"	Up to 4-12" leaves or 1-18" butterfly leaf	Stores up to 4 leaves, 2 w/skirts & 2 w/o
48" X 72"	Up to 4-12" leaves or 1-18" butterfly leaf	Stores up to 4 leaves, 2 w/skirts & 2 w/o

Available 84" long, N/A with butterfly leaves. See pricelist for details.

For more than 4 leaves, see page 35

## SPECIES

BROWN MAPLE • RED OAK • QSWO • CHERRY • HARD MAPLE • HICKORY • RUSTIC CHERRY • RUSTIC HICKORY • RUSTIC QSWO  
RUSTIC WALNUT • SAP CHERRY • WALNUT • WORMY MAPLE • PLAIN SAWN WHITE OAK • RUSTIC PLAIN SAWN WHITE OAK

## SHAPE OPTIONS



2" RADIUS  
CORNER

## EDGE OPTIONS



MISSION  
(STANDARD)



5/8" ROUNDOVER



WATERFALL



BEVEL



CHAMFER

# ELWOOD LEG

- 1" Rectangle top with 4" radius corners and Mission edge standard
- Legs standard as shown
- No gap cover (not available)
- Floor to bottom of skirt 26"
- Available in 36" height
- Shown in Brown Maple with PCL Granola, 10 sheen finish  
*(Note: Actual color may vary from picture)*



## SIZES

42" X 60"	Up to 4-12" leaves or 1-18" butterfly leaf	Stores up to 4 leaves, 2 w/skirts & 2 w/o
42" X 66"	Up to 4-12" leaves or 1-18" butterfly leaf	Stores up to 4 leaves, 2 w/skirts & 2 w/o
42" X 72"	Up to 4-12" leaves or 1-18" butterfly leaf	Stores up to 4 leaves, 2 w/skirts & 2 w/o
48" X 60"	Up to 4-12" leaves or 1-18" butterfly leaf	Stores up to 4 leaves, 2 w/skirts & 2 w/o
48" X 66"	Up to 4-12" leaves or 1-18" butterfly leaf	Stores up to 4 leaves, 2 w/skirts & 2 w/o
48" X 72"	Up to 4-12" leaves or 1-18" butterfly leaf	Stores up to 4 leaves, 2 w/skirts & 2 w/o

Available 84" long, N/A with butterfly leaves. See pricelist for details.

For more than 4 leaves, see page 35

## SPECIES

BROWN MAPLE • RED OAK • QSWO • CHERRY • HARD MAPLE • HICKORY • RUSTIC CHERRY • RUSTIC HICKORY • RUSTIC QSWO  
RUSTIC WALNUT • SAP CHERRY • WALNUT • WORMY MAPLE • PLAIN SAWN WHITE OAK • RUSTIC PLAIN SAWN WHITE OAK

## SHAPE OPTIONS



4" RADIUS  
CORNER

## EDGE OPTIONS



MISSION  
(STANDARD)



5/8" ROUNDOVER



WATERFALL



BEVEL



CHAMFER



## ELWOOD LEG

shown in Brown Maple  
with PCL Granola  
10 sheen finish. Shown  
with FN Ellen Chairs.

*(Note: Actual color  
may vary from picture)*





# ETHAN LEG

- 1" Rectangle top with Mission edge standard
- 4½" straight skirt with molding, standard as shown
- 3" x 3" tapered leg with molding, standard as shown
- Not available with boat shape top
- Available in 36" height
- Floor to bottom of skirt 24½"
- 3" skirts recommended for arm chairs (Floor to bottom of skirt is 26")
- Shown in Brown Maple with PCL Manchester finish (Note: Actual color may vary from picture)



## SIZES

42" X 60"	Up to 4-12" leaves	Stores up to 4 leaves, 2 w/skirts & 2 w/o
42" X 66"	Up to 4-12" leaves	Stores up to 4 leaves, 2 w/skirts & 2 w/o
42" X 72"	Up to 4-12" leaves	Stores up to 4 leaves, 2 w/skirts & 2 w/o
48" X 60"	Up to 4-12" leaves	Stores up to 4 leaves, 2 w/skirts & 2 w/o
48" X 66"	Up to 4-12" leaves	Stores up to 4 leaves, 2 w/skirts & 2 w/o
48" X 72"	Up to 4-12" leaves	Stores up to 4 leaves, 2 w/skirts & 2 w/o

Available 84" long, N/A with butterfly leaves. See pricelist for details.

For more than 4 leaves, see page 35

## SPECIES

BROWN MAPLE • RED OAK • QSWO • CHERRY • HARD MAPLE • HICKORY • RUSTIC CHERRY • RUSTIC HICKORY • RUSTIC QSWO  
RUSTIC WALNUT • SAP CHERRY • WALNUT • WORMY MAPLE • PLAIN SAWN WHITE OAK • RUSTIC PLAIN SAWN WHITE OAK

## SHAPE OPTIONS



RECTANGLE  
(STANDARD)



1" RADIUS  
CORNER



BOW END

## EDGE OPTIONS



MISSION  
(STANDARD)



5/8" ROUND OVER



WATERFALL



BEVEL



CHAMFER

# FENWAY TRESTLE PUB

- 1¼" Rectangle top with Mission edge and grain lengthwise standard
- Base standard as shown with levelers
- 36" high is standard. Not available in 30" or 42" high.
- Black powder coated metal footrail (no color options)
- Shown in Plain Sawn White Oak top with PCL Harvest 10 sheen & Brown Maple base with PCL Muted White 10 sheen  
*(Note: Actual color may vary from picture)*



## SIZES

36" X 48"	Solid top only
36" X 54"	Solid top only
36" X 60"	Solid top only
36" X 72"	Solid top only

## SPECIES

BROWN MAPLE • RED OAK • QSWO • CHERRY • HARD MAPLE • HICKORY • RUSTIC CHERRY • RUSTIC HICKORY • RUSTIC QSWO  
RUSTIC WALNUT • SAP CHERRY • WALNUT • WORMY MAPLE • PLAIN SAWN WHITE OAK • RUSTIC PLAIN SAWN WHITE OAK

## SHAPE OPTIONS



RECTANGLE  
(STANDARD)



1" RADIUS  
CORNER

## EDGE OPTIONS



MISSION  
(STANDARD)



5/8" ROUNDOVER



WATERFALL



BEVEL



CHAMFER



## FENWAY TRESTLE PUB

shown in Red Oak with  
PCL Smoke stain and  
Brown Maple base with  
PCL American Antique  
stain. Shown with  
Artisan Fenway Chairs.

*(Note: Actual color  
may vary from picture)*





## FORT WORTH SINGLE

shown in Rough Sawn  
Wormy Maple with PCL  
Almond 10 sheen finish.  
Shown with Artisan  
Martin Chairs.

*(Note: Actual color  
may vary from picture)*





# FORT WORTH SINGLE

- 1¼" Round top with Mission edge standard
- Base standard as shown with levelers
- Floor to bottom of skirt 26½"
- Available in 36" height
- Shown in Rough Sawn Wormy Maple with PCL Almond 10 sheen finish  
*(Note: Actual color may vary from picture)*



## SIZES

48" X 48" Round	Up to 2-12" leaves
54" X 54" Round	Up to 2-12" leaves
60" X 60" Round	Up to 2-12" leaves
72" X 72" Round	Solid top only

## SPECIES

ROUGH SAWN WORMY MAPLE

## SHAPE OPTIONS



ROUND

## EDGE OPTIONS



MISSION

# FREMONT TRESTLE

- 1" top with 1" corner radius and Bevel edge standard
- Base standard as shown with levelers
- Available in 36" height
- Recommended chair: Fremont from Artisan Chairs
- Floor to bottom of skirt 26½"



## SIZES

42" X 60"	Up to 4-12" leaves or 1-18" butterfly leaf	Stores up to 4 unskirted leaves
42" X 66"	Up to 4-12" leaves or up to 2-18" butterfly leaves	Stores up to 4 leaves, 2 w/skirts & 2 w/o
42" X 72"	Up to 4-12" leaves or up to 2-18" butterfly leaves	Stores up to 4 leaves, 2 w/skirts & 2 w/o
48" X 60"	Up to 4-12" leaves or 1-18" butterfly leaf	Stores up to 4 leaves, 2 w/skirts & 2 w/o
48" X 66"	Up to 4-12" leaves or up to 2-18" butterfly leaves	Stores up to 4 unskirted leaves
48" X 72"	Up to 4-12" leaves or up to 2-18" butterfly leaves	Stores up to 4 unskirted leaves

Available 84" long, N/A with butterfly leaves. See pricelist for details.

For more than 4 leaves, see page 35

## SPECIES

BROWN MAPLE • RED OAK • QSWO • CHERRY • HARD MAPLE • HICKORY • RUSTIC CHERRY • RUSTIC HICKORY • RUSTIC QSWO  
RUSTIC WALNUT • SAP CHERRY • WALNUT • WORMY MAPLE • PLAIN SAWN WHITE OAK • RUSTIC PLAIN SAWN WHITE OAK

## SHAPE OPTIONS



Changing the top shape may affect self-store ability

## EDGE OPTIONS



# GALENA BENCH

- 1" Rectangle top with Mission edge standard
- 18" high
- Solid tops will not have center legs
- Fabric or Leather bench top available – solid top only. See page 34 for details.
- Shown in Quarter Sawn White Oak with Asbury Brown stain (*Note: Actual color may vary from picture*)



## SIZES

12 ½" X 48"	Solid top or up to 4-12" leaves
12 ½" X 60"	Solid top or up to 4-12" leaves
12 ½" X 72"	Solid top or up to 4-12" leaves

## SPECIES

BROWN MAPLE • RED OAK • QSWO • CHERRY • HARD MAPLE • HICKORY • RUSTIC CHERRY • RUSTIC HICKORY • RUSTIC QSWO  
RUSTIC WALNUT • SAP CHERRY • WALNUT • WORMY MAPLE • PLAIN SAWN WHITE OAK • RUSTIC PLAIN SAWN WHITE OAK

## SHAPE OPTIONS



RECTANGLE

## EDGE OPTIONS



MISSION

# GALENA TRESTLE



42" X 72" 30" high  
2-12" S/S leaves  
QSWO or  
Rustic Hickory  
Standard shape & edge

- 1" Bow End top with Waterfall edge standard
- Base standard as shown with levelers
- Floor to bottom of skirt 26½"
- Available in 36" height



## SIZES

42" X 60"	Up to 4-12" leaves or 1-18" butterfly leaf	Stores up to 4 unskirted leaves
42" X 66"	Up to 4-12" leaves or up to 2-18" butterfly leaves	Stores up to 4 leaves, 2 w/skirts & 2 w/o
42" X 72"	Up to 4-12" leaves or up to 2-18" butterfly leaves	Stores up to 4 leaves, 2 w/skirts & 2 w/o
48" X 60"	Up to 4-12" leaves or 1-18" butterfly leaf	Stores up to 4 leaves, 2 w/skirts & 2 w/o
48" X 66"	Up to 4-12" leaves or up to 2-18" butterfly leaves	Stores up to 4 unskirted leaves
48" X 72"	Up to 4-12" leaves or up to 2-18" butterfly leaves	Stores up to 4 unskirted leaves

Available 84" long, N/A with butterfly leaves. See pricelist for details.

For more than 4 leaves, see page 35

## SPECIES

BROWN MAPLE • RED OAK • QSWO • CHERRY • HARD MAPLE • HICKORY • RUSTIC CHERRY • RUSTIC HICKORY • RUSTIC QSWO  
RUSTIC WALNUT • SAP CHERRY • WALNUT • WORMY MAPLE • PLAIN SAWN WHITE OAK • RUSTIC PLAIN SAWN WHITE OAK

## SHAPE OPTIONS



Changing the top shape may affect self-store ability

## EDGE OPTIONS



## GALENA TRESTLE

shown in Quarter  
Sawn White Oak with  
PCL Asbury Brown stain.  
Shown with Artisan  
Galena Chairs.

*(Note: Actual color  
may vary from picture)*





# HAMPTON BENCH

- 1" Rectangle top with Mission edge
- 18" high
- Leaf storage box to store all 4 leaves
- Solid tops will not have center legs
- Fabric or Leather bench top available – solid top only. See page 34 for details.



## **SIZES**

- |             |                                 |
|-------------|---------------------------------|
| 12 ½" X 48" | Solid top or up to 4-12" leaves |
| 12 ½" X 60" | Solid top or up to 4-12" leaves |
| 12 ½" X 72" | Solid top or up to 4-12" leaves |

## **SPECIES**

BROWN MAPLE • RED OAK • QSWO • CHERRY • HARD MAPLE • HICKORY • RUSTIC CHERRY • RUSTIC HICKORY • RUSTIC QSWO  
RUSTIC WALNUT • SAP CHERRY • WALNUT • WORMY MAPLE • PLAIN SAWN WHITE OAK • RUSTIC PLAIN SAWN WHITE OAK

## **SHAPE OPTIONS**



RECTANGLE

## **EDGE OPTIONS**



MISSION

# HAMPTON LEG

- 1" Rectangle top with Bullnose edge
- 3½" rounded skirt standard as shown
- No gap covers
- Leg standard as shown, optional reeded leg
- Floor to bottom of skirt 25½"
- Not available in pub height



## SIZES

42" X 60"	Up to 4-12" leaves	Stores up to 2 leaves, 1 w/skirts & 1 w/o
42" X 66"	Up to 4-12" leaves	Stores up to 4 leaves, 2 w/skirts & 2 w/o
42" X 72"	Up to 4-12" leaves	Stores up to 4 leaves, 2 w/skirts & 2 w/o
48" X 60"	Up to 4-12" leaves	Stores up to 4 leaves, 2 w/skirts & 2 w/o
48" X 66"	Up to 4-12" leaves	Stores up to 4 leaves, 2 w/skirts & 2 w/o
48" X 72"	Up to 4-12" leaves	Stores up to 4 leaves, 2 w/skirts & 2 w/o

*For more than 4 leaves, see page 35*

## SPECIES

BROWN MAPLE • RED OAK • QSWO • CHERRY • HARD MAPLE • HICKORY • RUSTIC CHERRY • RUSTIC HICKORY • RUSTIC QSWO  
RUSTIC WALNUT • SAP CHERRY • WALNUT • WORMY MAPLE • PLAIN SAWN WHITE OAK • RUSTIC PLAIN SAWN WHITE OAK

## SHAPE OPTIONS



RECTANGLE

## EDGE OPTIONS



BULLNOSE



# HAMPTON TRESTLE

- 1" Rectangle top with Bullnose edge standard
- 3½" rounded skirt as shown
- No gap covers
- Floor to bottom of skirt 25½"
- Not available in pub height



## SIZES

42" X 60"	Up to 4-12" leaves	Stores up to 4 unskirted leaves
42" X 66"	Up to 4-12" leaves	Stores up to 4 leaves, 2 w/skirts & 2 w/o
42" X 72"	Up to 4-12" leaves	Stores up to 4 leaves, 2 w/skirts & 2 w/o
48" X 60"	Up to 4-12" leaves	Stores up to 4 leaves, 2 w/skirts & 2 w/o
48" X 66"	Up to 4-12" leaves	Stores up to 4 unskirted leaves
48" X 72"	Up to 4-12" leaves	Stores up to 4 unskirted leaves

*For more than 4 leaves, see page 35*

## SPECIES

BROWN MAPLE • RED OAK • QSWO • CHERRY • HARD MAPLE • HICKORY • RUSTIC CHERRY • RUSTIC HICKORY • RUSTIC QSWO  
RUSTIC WALNUT • SAP CHERRY • WALNUT • WORMY MAPLE • PLAIN SAWN WHITE OAK • RUSTIC PLAIN SAWN WHITE OAK

## SHAPE OPTIONS



RECTANGLE

## EDGE OPTIONS



BULLNOSE

# HARRISON DOUBLE

- Oval top with Bevel edge standard
- Feet standard as shown with levelers
- Plain bar spreader
- Recommended chair: Meridan from FN Chairs
- Floor to bottom of skirt 26½"
- Available in 36" height



## SIZES

42" X 60"	Up to 4-12" leaves	2 leaf stores 1 w/skirts & 1 w/o	4 leaf cannot self-store
42" X 66"	Up to 4-12" leaves	2 leaf stores both with skirts	4 leaf stores 2 leaves, 1 w/skirts & 1 w/o
42" X 72"	Up to 4-12" leaves	2 leaf stores both with skirts	4 leaf stores 2 leaves, 1 w/skirts & 1 w/o
48" X 60"	Up to 4-12" leaves	2 leaf stores 1 w/skirts & 1 w/o	4 leaf cannot self-store
48" X 66"	Up to 4-12" leaves	2 leaf stores both with skirts	4 leaf stores 2 leaves, 1 w/skirts & 1 w/o
48" X 72"	Up to 4-12" leaves	2 leaf stores both with skirts	4 leaf stores 4 leaves, 2 w/skirts & 2 w/o

For more than 4 leaves, see page 35

## SPECIES

BROWN MAPLE • RED OAK • QSWO • CHERRY • HARD MAPLE • HICKORY • RUSTIC CHERRY • RUSTIC HICKORY • RUSTIC QSWO  
RUSTIC WALNUT • SAP CHERRY • WALNUT • WORMY MAPLE • PLAIN SAWN WHITE OAK • RUSTIC PLAIN SAWN WHITE OAK

## SHAPE OPTIONS



Changing the top shape may affect self-store ability

## EDGE OPTIONS



# HARRISON SINGLE

- 1" Round top with Bevel edge standard
- Base standard as shown with levelers
- Floor to bottom of skirt 26½"
- Available in 36" height



## SIZES

42" X 42" Round	Up to 2-12" leaves or 1-18" butterfly leaf
48" X 48" Round	Up to 2-12" leaves or 1-18" butterfly leaf
54" X 54" Round	Up to 2-12" leaves or 1-18" butterfly leaf

## SPECIES

BROWN MAPLE • RED OAK • QSWO • CHERRY • HARD MAPLE • HICKORY • RUSTIC CHERRY • RUSTIC HICKORY • RUSTIC QSWO  
RUSTIC WALNUT • SAP CHERRY • WALNUT • WORMY MAPLE • PLAIN SAWN WHITE OAK • RUSTIC PLAIN SAWN WHITE OAK

## SHAPE OPTIONS



ROUND

## EDGE OPTIONS



MISSION



5/8" ROUND OVER



WATERFALL



BEVEL  
(STANDARD)



CHAMFER

# HARTFORD TRESTLE

- 1" Bow End top with Mission edge standard
- Trestle base standard as shown (no options)
- All leaves will be skirted unless ordered without
- Floor to bottom of skirt 26½"
- Note: starting size cannot be less than 78" due to the space needed for the base
- Not available in pub height
- See expanded view below



## SIZES

42" X 78" From 10-12" to 14-12" leaves Self-store not available  
 48" X 78" From 10-12" to 14-12" leaves Self-store not available

## SPECIES

BROWN MAPLE • RED OAK • QSWO • CHERRY • HARD MAPLE • HICKORY • RUSTIC CHERRY • RUSTIC HICKORY • RUSTIC QSWO  
 RUSTIC WALNUT • SAP CHERRY • WALNUT • WORMY MAPLE • PLAIN SAWN WHITE OAK • RUSTIC PLAIN SAWN WHITE OAK

## SHAPE OPTIONS



RECTANGLE



1" RADIUS  
CORNER



BOW END  
(STANDARD)

## EDGE OPTIONS



MISSION  
(STANDARD)



5/8" ROUND  
OVER



WATERFALL



BEVEL



CHAMFER



# HARVEST BENCH

- 1" Rectangle top with Mission edge
- 18" high
- Leaf storage box to store all 4 leaves
- Solid tops will not have center legs
- Fabric or Leather bench top available – solid top only. See page 34 for details.
- Shown in Brown Maple with Asbury Brown Burnished (*Note: Actual color may vary from picture*)



## SIZES

- |             |                                 |
|-------------|---------------------------------|
| 12 ½" X 48" | Solid top or up to 4-12" leaves |
| 12 ½" X 60" | Solid top or up to 4-12" leaves |
| 12 ½" X 72" | Solid top or up to 4-12" leaves |

## SPECIES

BROWN MAPLE • RED OAK • QSWO • CHERRY • HARD MAPLE • HICKORY • RUSTIC CHERRY • RUSTIC HICKORY • RUSTIC QSWO  
RUSTIC WALNUT • SAP CHERRY • WALNUT • WORMY MAPLE • PLAIN SAWN WHITE OAK • RUSTIC PLAIN SAWN WHITE OAK

## SHAPE OPTIONS



RECTANGLE

## EDGE OPTIONS



MISSION

# HARVEST LEG

- 1¼" Rectangle top with Mission edge standard
- 4½" Harvest legs are standard, no other leg options
- 4½" skirt standard; floor to bottom of skirt 24½"
- 3" skirt recommended for arm chairs (floor to bottom of skirt is 26")
- Available in 36" height
- Shown in Brown Maple with Asbury Brown Burnished (*Note: Actual color may vary from picture*)



## SIZES

42" X 60"	Up to 4-12" leaves	4 leaf stores 2 w/skirts & 2 w/o
42" X 66"	Up to 4-12" leaves	4 leaf stores 2 w/skirts & 2 w/o
42" X 72"	Up to 4-12" leaves	4 leaf stores 2 w/skirts & 2 w/o
48" X 60"	Up to 4-12" leaves	4 leaf stores 2 w/skirts & 2 w/o
48" X 66"	Up to 4-12" leaves	4 leaf stores 2 w/skirts & 2 w/o
48" X 72"	Up to 4-12" leaves	4 leaf stores 2 w/skirts & 2 w/o

Available 84" long, N/A with butterfly leaves. See pricelist for details.

For more than 4 leaves, see page 35

## SPECIES

BROWN MAPLE • RED OAK • QSWO • CHERRY • HARD MAPLE • HICKORY • RUSTIC CHERRY • RUSTIC HICKORY • RUSTIC QSWO  
RUSTIC WALNUT • SAP CHERRY • WALNUT • WORMY MAPLE • PLAIN SAWN WHITE OAK • RUSTIC PLAIN SAWN WHITE OAK

## SHAPE OPTIONS



RECTANGLE  
(STANDARD)



1" RADIUS  
CORNER



BOW END

## EDGE OPTIONS



MISSION  
(STANDARD)



5/8" ROUNDOVER



WATERFALL



BEVEL



CHAMFER



# HEIDI BENCH

- 1" Rectangle top with Mission edge
- 18" high
- Leaf storage box to store all 4 leaves
- Solid tops will not have center legs
- Fabric or Leather bench top available – solid top only. See page 34 for details.



## SIZES

- |             |                                 |
|-------------|---------------------------------|
| 12 ½" X 48" | Solid top or up to 4-12" leaves |
| 12 ½" X 60" | Solid top or up to 4-12" leaves |
| 12 ½" X 72" | Solid top or up to 4-12" leaves |

## SPECIES

BROWN MAPLE • RED OAK • QSWO • CHERRY • HARD MAPLE • HICKORY • RUSTIC CHERRY • RUSTIC HICKORY • RUSTIC QSWO  
RUSTIC WALNUT • SAP CHERRY • WALNUT • WORMY MAPLE • PLAIN SAWN WHITE OAK • RUSTIC PLAIN SAWN WHITE OAK

## SHAPE OPTIONS



RECTANGLE

## EDGE OPTIONS



MISSION

# HEIDI CABINET

- 1" top with 1" radius corners & Mission edge standard
- Standard with 1-18" Butterfly leaf
- Standard with basket drawers featuring soft-close slides as shown
- Floor to bottom of skirt 32½"
- Not available with Round top
- Cabinet base is 26" w x 26" d (No options on cabinet size)
- 36" high standard. Also available in 30" h
- Shown with dark drawer baskets (standard)
- Shown in Brown Maple with SP-151 Weathered Black Med-Dis. 10 sheen top and SP-154 Washed Gray Med-Dis. 10 sheen base  
(Note: Actual color may vary from picture)



## SIZES

42" X 42"	Solid top, 1-12" leaf, or 1-18" butterfly leaf
42" X 48"	Solid top, 1-12" leaf, or 1-18" butterfly leaf
42" X 54"	Solid top, 1-12" leaf, or 1-18" butterfly leaf
48" X 48"	Solid top, 1-12" leaf, or 1-18" butterfly leaf
48" X 54"	Solid top, 1-12" leaf, or 1-18" butterfly leaf

## SPECIES

BROWN MAPLE • RED OAK • QSWO • CHERRY • HARD MAPLE • HICKORY • RUSTIC CHERRY • RUSTIC HICKORY • RUSTIC QSWO  
RUSTIC WALNUT • SAP CHERRY • WALNUT • WORMY MAPLE • PLAIN SAWN WHITE OAK • RUSTIC PLAIN SAWN WHITE OAK

## SHAPE OPTIONS



RECTANGLE



1" RADIUS  
CORNER (STD)



BOW END

## EDGE OPTIONS



MISSION  
(STANDARD)



5/8" ROUNDOVER



WATERFALL



BEVEL



CHAMFER



## HEIDI CABINET

shown in Brown Maple  
SP-151 Weathered  
Black Med. Distressed  
10 sheen and SP-154  
Washed Gray Med.  
Distressed 10 sheen  
base stain. Shown with  
Denver Chairs from  
Artisan Chairs.

*(Note: Actual color  
may vary from picture)*





## HEIDI LEG

shown in Brown Maple  
with PCL Almond top  
& PCL Mineral base.  
Shown with Artisan  
Garrison Chairs.

*(Note: Actual color  
may vary from picture)*





# HEIDI LEG

- 1" Rectangle top with Mission edge standard
- Arched skirt standard as shown
- 3" x 3" straight legs standard
- Floor to bottom of skirt is 24½" at the legs and 26½" at the center
- Available in 36" height



## SIZES

42" X 60"	Up to 4-12" leaves or 1-18" butterfly leaf	Stores up to 4 leaves, 2 w/skirts & 2 w/o
42" X 66"	Up to 4-12" leaves or 1-18" butterfly leaf	Stores up to 4 leaves, 2 w/skirts & 2 w/o
42" X 72"	Up to 4-12" leaves or 1-18" butterfly leaf	Stores up to 4 leaves, 2 w/skirts & 2 w/o
48" X 60"	Up to 4-12" leaves or 1-18" butterfly leaf	Stores up to 4 leaves, 2 w/skirts & 2 w/o
48" X 66"	Up to 4-12" leaves or 1-18" butterfly leaf	Stores up to 4 leaves, 2 w/skirts & 2 w/o
48" X 72"	Up to 4-12" leaves or 1-18" butterfly leaf	Stores up to 4 leaves, 2 w/skirts & 2 w/o

Available 84" long, N/A with butterfly leaves. See pricelist for details.

For more than 4 leaves, see page 35

## SPECIES

BROWN MAPLE • RED OAK • QSWO • CHERRY • HARD MAPLE • HICKORY • RUSTIC CHERRY • RUSTIC HICKORY • RUSTIC QSWO  
RUSTIC WALNUT • SAP CHERRY • WALNUT • WORMY MAPLE • PLAIN SAWN WHITE OAK • RUSTIC PLAIN SAWN WHITE OAK

## SHAPE OPTIONS



RECTANGLE  
(STANDARD)



1" RADIUS  
CORNER



BOW END

## EDGE OPTIONS



MISSION  
(STANDARD)



5/8" ROUNDOVER



WATERFALL



BEVEL



CHAMFER

# HOMESTEAD SINGLE DROP LEAF



- 1" Round top with 5/8" Roundover edge standard
- 2 - 9" drop leaves standard
- Base standard as shown with levelers
- Floor to bottom of skirt 26½"
- Available in 36" height
- Shown in Red Oak with PCL Sandstone 10 sheen finish  
*(Note: Actual color may vary from picture)*



## SIZES

42" x 42" Round (42" x 24" with leaves down) Solid top or up to 2-12" center leaves  
NO CUSTOM SIZES

## SPECIES

BROWN MAPLE • RED OAK • QSWO • CHERRY • HARD MAPLE • HICKORY • RUSTIC CHERRY • RUSTIC HICKORY • RUSTIC QSWO  
RUSTIC WALNUT • SAP CHERRY • WALNUT • WORMY MAPLE • PLAIN SAWN WHITE OAK • RUSTIC PLAIN SAWN WHITE OAK

## SHAPE OPTIONS



ROUND

## EDGE OPTIONS



MISSION



5/8" ROUNDOVER  
(STANDARD)



WATERFALL



BEVEL



CHAMFER



## IMPERIAL DOUBLE

shown in Brown Maple  
with PCL Earthtone  
stain. Shown with  
Artisan Baytown Chairs.

*(Note: Actual color  
may vary from picture)*





# IMPERIAL DOUBLE

- 1" Oval top with Bevel edge standard
- Base standard as shown
- Floor to bottom of skirt 26½"
- Available in 36" height



## SIZES

42" X 60"	Up to 4-12" leaves	2 leaf stores 1 w/skirts & 1 w/o	4 leaf cannot self-store
42" X 66"	Up to 4-12" leaves	2 leaf stores both with skirts	4 leaf stores 2 leaves, 1 w/skirts & 1 w/o
42" X 72"	Up to 4-12" leaves	2 leaf stores both with skirts	4 leaf stores 2 leaves, 1 w/skirts & 1 w/o
48" X 60"	Up to 4-12" leaves	2 leaf stores 1 w/skirts & 1 w/o	4 leaf cannot self-store
48" X 66"	Up to 4-12" leaves	2 leaf stores both with skirts	4 leaf stores 2 leaves, 1 w/skirts & 1 w/o
48" X 72"	Up to 4-12" leaves	2 leaf stores both with skirts	4 leaf stores 4 leaves, 2 w/skirts & 2 w/o

For more than 4 leaves, see page 35

## SPECIES

BROWN MAPLE • RED OAK • QSWO • CHERRY • HARD MAPLE • HICKORY • RUSTIC CHERRY • RUSTIC HICKORY • RUSTIC QSWO  
RUSTIC WALNUT • SAP CHERRY • WALNUT • WORMY MAPLE • PLAIN SAWN WHITE OAK • RUSTIC PLAIN SAWN WHITE OAK

## SHAPE OPTIONS



Changing the top shape may affect self-store ability

## EDGE OPTIONS



# IMPERIAL SINGLE



48" X 48" 30" high  
2-12" leaves  
Brown Maple  
Standard shape & edge

- 1" Round top with Bevel edge standard
- Base standard as shown
- Floor to bottom of skirt 26½"
- Shown in Brown Maple with Michael's Cherry stain  
*(Note: Actual color may vary from picture)*



## SIZES

42" X 42" Round    Up to 2-12" leaves or 1-18" butterfly leaf  
48" X 48" Round    Up to 2-12" leaves or 1-18" butterfly leaf  
54" X 54" Round    Up to 2-12" leaves or 1-18" butterfly leaf

## SPECIES

BROWN MAPLE • RED OAK • QSWO • CHERRY • HARD MAPLE • HICKORY • RUSTIC CHERRY • RUSTIC HICKORY • RUSTIC QSWO  
RUSTIC WALNUT • SAP CHERRY • WALNUT • WORMY MAPLE • PLAIN SAWN WHITE OAK • RUSTIC PLAIN SAWN WHITE OAK

## SHAPE OPTIONS



ROUND

## EDGE OPTIONS



MISSION



5/8" ROUNDOVER



WATERFALL



BEVEL  
(STANDARD)



CHAMFER



## IMPERIAL SINGLE

shown in Brown Maple  
with PCL Michaels  
Cherry stain. Shown with  
Artisan Vista Chairs.

*(Note: Actual color  
may vary from picture)*





# IMPERIAL SINGLE PUB

- 1" Round top with Bevel edge standard
- Base standard as shown with levelers
- Floor to bottom of skirt 32½"
- Pub height standard 36" high (not available in 42" high)



## SIZES

- 42" X 42" Round Up to 2-12" leaves or 1-18" butterfly leaf
- 48" X 48" Round Up to 2-12" leaves or 1-18" butterfly leaf
- 54" X 54" Round Solid top only

## SPECIES

BROWN MAPLE • RED OAK • QSWO • CHERRY • HARD MAPLE • HICKORY • RUSTIC CHERRY • RUSTIC HICKORY • RUSTIC QSWO  
RUSTIC WALNUT • SAP CHERRY • WALNUT • WORMY MAPLE • PLAIN SAWN WHITE OAK • RUSTIC PLAIN SAWN WHITE OAK

## SHAPE OPTIONS



ROUND

## EDGE OPTIONS



MISSION



5/8" ROUNDOVER



WATERFALL



BEVEL  
(STANDARD)



CHAMFER

# JAMESTOWN TRESTLE

- 1" Rectangle top with Mission edge standard
- Base standard as shown with levelers
- Not available in pub height
- Floor to bottom of skirt 26½"
- Recommended chair: Jamestown from Artisan Chairs



## SIZES

42" X 60"	Up to 4-12" leaves or 1-18" butterfly leaf	Stores up to 4 unskirted leaves
42" X 66"	Up to 4-12" leaves or up to 2-18" butterfly leaves	Stores up to 4 leaves, 2 w/skirts & 2 w/o
42" X 72"	Up to 4-12" leaves or up to 2-18" butterfly leaves	Stores up to 4 leaves, 2 w/skirts & 2 w/o
48" X 60"	Up to 4-12" leaves or 1-18" butterfly leaf	Stores up to 4 leaves, 2 w/skirts & 2 w/o
48" X 66"	Up to 4-12" leaves or up to 2-18" butterfly leaves	Stores up to 4 unskirted leaves
48" X 72"	Up to 4-12" leaves or up to 2-18" butterfly leaves	Stores up to 4 unskirted leaves

Available 84" long, N/A with butterfly leaves. See pricelist for details.

For more than 4 leaves, see page 35

## SPECIES

BROWN MAPLE • RED OAK • QSWO • CHERRY • HARD MAPLE • HICKORY • RUSTIC CHERRY • RUSTIC HICKORY • RUSTIC QSWO  
RUSTIC WALNUT • SAP CHERRY • WALNUT • WORMY MAPLE • PLAIN SAWN WHITE OAK • RUSTIC PLAIN SAWN WHITE OAK

## SHAPE OPTIONS



Changing the top shape may affect self-store ability

## EDGE OPTIONS



# KINGSBURY MISSION TRESTLE

- 1" Rectangle top with Mission edge standard
- Trestle base is 24" wide
- Floor to bottom of skirt 26½"
- Not available in pub height



## SIZES

42" X 60"	Up to 4-12" leaves or 1-18" butterfly leaf	Stores up to 4 unskirted leaves
42" X 66"	Up to 4-12" leaves or up to 2-18" butterfly leaves	Stores up to 4 leaves, 2 w/skirts & 2 w/o
42" X 72"	Up to 4-12" leaves or up to 2-18" butterfly leaves	Stores up to 4 leaves, 2 w/skirts & 2 w/o
48" X 60"	Up to 4-12" leaves or 1-18" butterfly leaf	Stores up to 4 leaves, 2 w/skirts & 2 w/o
48" X 66"	Up to 4-12" leaves or up to 2-18" butterfly leaves	Stores up to 4 unskirted leaves
48" X 72"	Up to 4-12" leaves or up to 2-18" butterfly leaves	Stores up to 4 unskirted leaves

Available 84" long, N/A with butterfly leaves. See pricelist for details.

For more than 4 leaves, see page 35

## SPECIES

BROWN MAPLE • RED OAK • QSWO • CHERRY • HARD MAPLE • HICKORY • RUSTIC CHERRY • RUSTIC HICKORY • RUSTIC QSWO  
RUSTIC WALNUT • SAP CHERRY • WALNUT • WORMY MAPLE • PLAIN SAWN WHITE OAK • RUSTIC PLAIN SAWN WHITE OAK

## SHAPE OPTIONS



RECTANGLE  
(STANDARD)



1" RADIUS  
CORNER



BOW END



8" SQUARE  
ROUND



BOAT



BANQUET

Changing the top shape may affect self-store ability

## EDGE OPTIONS



MISSION  
(STANDARD)



5/8" ROUND OVER



WATERFALL



BEVEL



CHAMFER

# LAMESA TRESTLE

- 1½" Rectangle top with Live edge on ends standard
- Ball bearing slides are standard
- Base standard as shown with levelers
- Every Live edge top is unique and will vary from top to top
- Floor to bottom of skirt 26½"
- Not available in pub height
- Shown in Rustic Walnut with Natural finish  
(Note: Actual color may vary from picture)



## SIZES

42" X 72" Up to 4-12" leaves

48" X 72" Up to 4-12" leaves

NOT AVAILABLE IN 60" LENGTH

Stores up to 2 leaves, both with skirts

Stores up to 2 leaves, both without skirts

## SPECIES

RUSTIC CHERRY • RUSTIC WALNUT • WORMY MAPLE

## SHAPE OPTIONS



RECTANGLE

## EDGE OPTIONS



LIVE/MISSION



## LAMESA TRESTLE

shown in Rustic Walnut  
with Natural finish.

Shown with  
FN Corbin Chairs with  
Gray Leather.

*(Note: Actual color  
may vary from picture)*





# LAPORTE TRESTLE

---

- 1½" Rectangle top with Live edge standard
- Base standard as shown with levelers
- Every Live edge top is unique and will vary from top to top
- Not available in pub height
- Shown in Rustic Walnut with Natural finish  
(Note: Actual color may vary from picture)



## **SIZES**

---

42" X 72"	Solid top only
42" X 84"	Solid top only
42" X 96"	Solid top only
42" X 108"	Solid top only
48" X 72"	Solid top only
48" X 84"	Solid top only
48" X 96"	Solid top only
48" X 108"	Solid top only

## **SPECIES**

---

RUSTIC CHERRY • RUSTIC WALNUT • WORMY MAPLE

## **SHAPE OPTIONS**

---



RECTANGLE

## **EDGE OPTIONS**

---



LIVE/MISSION

# LAPORTE BENCH

---

- 1½" Rectangle top with Live Edge standard
- Every Live edge top is unique and will vary from top to top
- Shown in Rustic Walnut with Natural finish  
(Note: Actual color may vary from picture)



## **SIZES**

---

12 ½" X 72"    Solid top only  
12 ½" X 84"    Solid top only

## **SPECIES**

---

RUSTIC CHERRY • RUSTIC WALNUT • WORMY MAPLE

## **SHAPE OPTIONS**

---



RECTANGLE

## **EDGE OPTIONS**

---



LIVE/MISSION



# LAURIE'S LEG

- 1" Rectangle top with Mission edge standard
- 4" straight skirt (No option on skirt size due to self store compartment)
- Not available in pub height
- 3" x 3" tapered legs stay stationary like trestle tables when top opens
- Floor to bottom of skirt 25"



## SIZES

42" X 60"	Up to 4-12" leaves	Stores up to 4 unskirted leaves
42" X 66"	Up to 4-12" leaves	Stores up to 4 unskirted leaves
48" X 60"	Up to 4-12" leaves	Stores up to 4 unskirted leaves
48" X 66"	Up to 4-12" leaves	Stores up to 4 unskirted leaves

## SPECIES

BROWN MAPLE • RED OAK • QSWO • CHERRY • HARD MAPLE • HICKORY • RUSTIC CHERRY • RUSTIC HICKORY • RUSTIC QSWO  
RUSTIC WALNUT • SAP CHERRY • WALNUT • WORMY MAPLE • PLAIN SAWN WHITE OAK • RUSTIC PLAIN SAWN WHITE OAK

## SHAPE OPTIONS



RECTANGLE  
(STANDARD)



1" RADIUS  
CORNER



BOW END

## EDGE OPTIONS



MISSION  
(STANDARD)



5/8" ROUNDOVER



WATERFALL



BEVEL



CHAMFER

# LEXINGTON BENCH

- 1" Rectangle top with Mission edge standard
- 18" high
- Leaf storage box to store all 4 leaves
- Solid tops will not have center legs
- Fabric or Leather bench top available – solid top only. See page 34 for details.
- Shown in Brown Maple with PCL Briar top & PCL Driftwood base  
*(Note: Actual color may vary from picture)*



## SIZES

- |             |                                 |
|-------------|---------------------------------|
| 12 ½" X 48" | Solid top or up to 4-12" leaves |
| 12 ½" X 60" | Solid top or up to 4-12" leaves |
| 12 ½" X 72" | Solid top or up to 4-12" leaves |

## SPECIES

BROWN MAPLE • RED OAK • QSWO • CHERRY • HARD MAPLE • HICKORY • RUSTIC CHERRY • RUSTIC HICKORY • RUSTIC QSWO  
RUSTIC WALNUT • SAP CHERRY • WALNUT • WORMY MAPLE • PLAIN SAWN WHITE OAK • RUSTIC PLAIN SAWN WHITE OAK

## SHAPE OPTIONS



RECTANGLE

## EDGE OPTIONS



MISSION



## LEXINGTON DOUBLE

shown in Sap Cherry  
with PCL Sandstone  
stain, 48" X 120".  
Shown with Artisan  
Lemont Chairs.

*(Note: Actual color  
may vary from picture)*





# LEXINGTON DOUBLE

- 1" Rectangle top with Mission edge standard
- Base standard as shown with levelers
- Quarter Sawn White Oak table will have regular White Oak base
- Floor to bottom of skirt 26½"
- Leaf table will have grain side to side
- Solid top will have grain lengthwise
- Shown in Sap Cherry with PCL Sandstone stain, 48" X 120"  
*(Note: Actual color may vary from picture)*



## SIZES

42" X 96"	Up to 4-12" leaves	Stores up to 2 unskirted leaves
42" X 108"	Solid top only	
42" X 120"	Solid top only	
48" X 96"	Up to 4-12" leaves	Stores up to 2 unskirted leaves
48" X 108"	Solid top only	
48" X 120"	Solid top only	

## SPECIES

BROWN MAPLE • RED OAK • QSWO • CHERRY • HARD MAPLE • HICKORY • RUSTIC CHERRY • RUSTIC HICKORY • RUSTIC QSWO  
RUSTIC WALNUT • SAP CHERRY • WALNUT • WORMY MAPLE • PLAIN SAWN WHITE OAK • RUSTIC PLAIN SAWN WHITE OAK

## SHAPE OPTIONS



RECTANGLE  
(STANDARD)



1" RADIUS  
CORNER



BOW END

## EDGE OPTIONS



MISSION  
(STANDARD)



5/8" ROUNDOVER



WATERFALL



BEVEL



CHAMFER

# LEXINGTON DOUBLE MINI



- 1" Rectangle top with Mission edge standard
- Base standard as shown with levelers
- Quarter Sawn White Oak table will have regular White Oak base
- Floor to bottom of skirt 26½"
- Shown in Brown Maple with PCL Sandstone stain  
(Note: Actual color may vary from picture)



## SIZES

42" X 66"	Up to 4-12" leaves	Stores up to 2 unskirted leaves
42" X 72"	Up to 4-12" leaves	Stores up to 2 unskirted leaves
42" X 84"	Up to 4-12" leaves	Stores up to 2 unskirted leaves
48" X 66"	Up to 4-12" leaves	Stores up to 2 unskirted leaves
48" X 72"	Up to 4-12" leaves	Stores up to 2 unskirted leaves
48" X 84"	Up to 4-12" leaves	Stores up to 2 unskirted leaves

## SPECIES

BROWN MAPLE • RED OAK • QSWO • CHERRY • HARD MAPLE • HICKORY • RUSTIC CHERRY • RUSTIC HICKORY • RUSTIC QSWO  
RUSTIC WALNUT • SAP CHERRY • WALNUT • WORMY MAPLE • PLAIN SAWN WHITE OAK • RUSTIC PLAIN SAWN WHITE OAK

## SHAPE OPTIONS



RECTANGLE  
(STANDARD)



1" RADIUS  
CORNER



BOW END

## EDGE OPTIONS



MISSION  
(STANDARD)



5/8" ROUNDOVER



WATERFALL



BEVEL



CHAMFER



# LEXINGTON LEG

- 1" Rectangle top with Mission edge standard
- 3½" Twist legs standard as shown
- 3½" Straight skirt standard as shown
- Floor to bottom of skirt 25½"
- Available in 36" height
- Recommended chair: Lawson from Artisan Chairs
- Shown in Brown Maple with PCL Briar top and PCL Driftwood base  
*(Note: Actual color may vary from picture)*



42" X 72" 30" high  
2-12" S/S leaves  
Brown Maple or  
Rustic Hickory  
Standard shape & edge



## SIZES

42" X 60"	Up to 4-12" leaves or 1-18" butterfly leaf	Stores up to 4 leaves, 2 w/skirts & 2 w/o
42" X 66"	Up to 4-12" leaves or 1-18" butterfly leaf	Stores up to 4 leaves, 2 w/skirts & 2 w/o
42" X 72"	Up to 4-12" leaves or 1-18" butterfly leaf	Stores up to 4 leaves, 2 w/skirts & 2 w/o
48" X 60"	Up to 4-12" leaves or 1-18" butterfly leaf	Stores up to 4 leaves, 2 w/skirts & 2 w/o
48" X 66"	Up to 4-12" leaves or 1-18" butterfly leaf	Stores up to 4 leaves, 2 w/skirts & 2 w/o
48" X 72"	Up to 4-12" leaves or 1-18" butterfly leaf	Stores up to 4 leaves, 2 w/skirts & 2 w/o

Available 84" long, N/A with butterfly leaves. See pricelist for details.

For more than 4 leaves, see page 35

## SPECIES

BROWN MAPLE • RED OAK • QSWO • CHERRY • HARD MAPLE • HICKORY • RUSTIC CHERRY • RUSTIC HICKORY • RUSTIC QSWO  
RUSTIC WALNUT • SAP CHERRY • WALNUT • WORMY MAPLE • PLAIN SAWN WHITE OAK • RUSTIC PLAIN SAWN WHITE OAK

## SHAPE OPTIONS



RECTANGLE  
(STANDARD)



1" RADIUS  
CORNER



BOW END

## EDGE OPTIONS



MISSION  
(STANDARD)



5/8" ROUND OVER



WATERFALL



BEVEL



CHAMFER



## LEXINGTON LEG

shown in Brown Maple with  
PCL Bel Air top & PCL Onyx  
base. Shown with Artisan  
Lawson Chairs.

*(Note: Actual color may vary from picture)*



# LEXINGTON LEG MINI

- 1" Rectangle top with Mission edge standard
- 3" Twist legs standard as shown
- 2½" Straight skirt standard as shown
- Available in 36" height
- Floor to bottom of skirt 26½"
- Shown in Red Oak with PCL Muted White 10 sheen top and PCL Muted Black 10 sheen base  
(Note: Actual color may vary from picture)



## SIZES

36" X 42"	Up to 4-12" leaves	Self-store NOT available
36" X 48"	Up to 4-12" leaves	Stores up to 2 leaves, 1 w/skirts & 1 w/o
36" X 54"	Up to 4-12" leaves	Stores up to 2 leaves, 1 w/skirts & 1 w/o
42" X 42"	Up to 4-12" leaves	Self-store NOT available
42" X 48"	Up to 4-12" leaves	Self-store NOT available
42" X 54"	Up to 4-12" leaves	Stores up to 4 leaves, 2 w/skirts & 2 w/o

## SPECIES

BROWN MAPLE • RED OAK • QSWO • CHERRY • HARD MAPLE • HICKORY • RUSTIC CHERRY • RUSTIC HICKORY • RUSTIC QSWO  
RUSTIC WALNUT • SAP CHERRY • WALNUT • WORMY MAPLE • PLAIN SAWN WHITE OAK • RUSTIC PLAIN SAWN WHITE OAK

## SHAPE OPTIONS



RECTANGLE  
(STANDARD)



1" RADIUS  
CORNER



BOW END

## EDGE OPTIONS



MISSION  
(STANDARD)



5/8" ROUNDOVER



WATERFALL



BEVEL



CHAMFER

# LEXINGTON SINGLE



54" X 54" 30" high  
2-12" leaves  
Brown Maple  
Standard shape & edge

- 1" Round top with Mission edge standard
- Base standard as shown with levelers
- Quarter Sawn White Oak table will have regular White Oak base
- Floor to bottom of skirt 26½"
- Available in 36" height
- Shown in Brown Maple with PCL Almond 10 sheen top, PCL Weathered Beige 10 sheen base  
(Note: Actual color may vary from picture)



## SIZES

48" X 48" Round	Up to 2-12" leaves or 1-18" butterfly leaf
54" X 54" Round	Up to 2-12" leaves or 1-18" butterfly leaf
60" X 60" Round	Up to 2-12" leaves or 1-18" butterfly leaf
72" X 72" Round	Solid top only

## SPECIES

BROWN MAPLE • RED OAK • QSWO • CHERRY • HARD MAPLE • HICKORY • RUSTIC CHERRY • RUSTIC HICKORY • RUSTIC QSWO  
RUSTIC WALNUT • SAP CHERRY • WALNUT • WORMY MAPLE • PLAIN SAWN WHITE OAK • RUSTIC PLAIN SAWN WHITE OAK

## SHAPE OPTIONS



ROUND

## EDGE OPTIONS



MISSION  
(STANDARD)



5/8" ROUNDOVER



WATERFALL



BEVEL



CHAMFER



## LEXINGTON SINGLE

shown in Quarter Sawn  
White Oak with PCL  
Michaels Cherry stain.  
Shown with Artisan  
Lemont Chairs.

*(Note: Actual color may vary  
from picture)*





# LEXINGTON SINGLE MINI

- 1" Round top with Mission edge standard
- Base standard as shown with levelers
- Quarter Sawn White Oak table will have regular White Oak base
- Available in 36" height
- Floor to bottom of skirt 26½"
- Shown in Red Oak with PCL Weathered Hazelnut 10 sheen top, PCL Weathered Greek Vanilla 10 sheen base  
*(Note: Actual color may vary from picture)*



## SIZES

- 36" X 36" Round    Up to 2-12" leaves
- 42" X 42" Round    Up to 2-12" leaves or 1-18" butterfly leaf

## SPECIES

BROWN MAPLE • RED OAK • QSWO • CHERRY • HARD MAPLE • HICKORY • RUSTIC CHERRY • RUSTIC HICKORY • RUSTIC QSWO  
RUSTIC WALNUT • SAP CHERRY • WALNUT • WORMY MAPLE • PLAIN SAWN WHITE OAK • RUSTIC PLAIN SAWN WHITE OAK

## SHAPE OPTIONS



ROUND

## EDGE OPTIONS



MISSION  
(STANDARD)



5/8" ROUNDOVER



WATERFALL



BEVEL



CHAMFER

# LEXINGTON TRESTLE

- 1" Rectangle top with Mission edge standard
- Base standard as shown with levelers
- Floor to bottom of skirt 26½"
- Available in 36" height
- Recommended chair: Lawson from Artisan Chairs
- Shown in Rustic Cherry with PCL Lite Asbury 10 sheen finish  
*(Note: Actual color may vary from picture)*



## SIZES

42" X 60"	Up to 4-12" leaves or 1-18" butterfly leaf	Stores up to 4 unskirted leaves
42" X 66"	Up to 4-12" leaves or up to 2-18" butterfly leaves	Stores up to 4 leaves, 2 w/skirts & 2 w/o
42" X 72"	Up to 4-12" leaves or up to 2-18" butterfly leaves	Stores up to 4 leaves, 2 w/skirts & 2 w/o
48" X 60"	Up to 4-12" leaves or 1-18" butterfly leaf	Stores up to 4 leaves, 2 w/skirts & 2 w/o
48" X 66"	Up to 4-12" leaves or up to 2-18" butterfly leaves	Stores up to 4 unskirted leaves
48" X 72"	Up to 4-12" leaves or up to 2-18" butterfly leaves	Stores up to 4 unskirted leaves

*Available 84" long, N/A with butterfly leaves. See pricelist for details.*

*For more than 4 leaves, see page 35*

## SPECIES

BROWN MAPLE • RED OAK • QSWO • CHERRY • HARD MAPLE • HICKORY • RUSTIC CHERRY • RUSTIC HICKORY • RUSTIC QSWO  
RUSTIC WALNUT • SAP CHERRY • WALNUT • WORMY MAPLE • PLAIN SAWN WHITE OAK • RUSTIC PLAIN SAWN WHITE OAK

## SHAPE OPTIONS



*Changing the top shape may affect self-store ability*

## EDGE OPTIONS



# LEXINGTON CABINET

- 1" Rectangle top with Mission edge standard
- Standard with 1-18" Butterfly Leaf
- Cabinet base size is 26" x 26" (no options)
- 36" high standard. Also available in 30" & 42" high (30" h only has 2 drawers)
- Side mount drawer slides
- K2040-SN hardware standard
- Floor to bottom of skirt 32½"
- Not available with Round top
- Shown in Brown Maple with PCL Vintage Antique top & PCL Onyx base  
(Note: Actual color may vary from picture)



## SIZES

42" X 42"	Solid top, 1-12" leaf, or 1-18" butterfly leaf
42" X 48"	Solid top, 1-12" leaf, or 1-18" butterfly leaf
42" X 54"	Solid top, 1-12" leaf, or 1-18" butterfly leaf
48" X 48"	Solid top, 1-12" leaf, or 1-18" butterfly leaf
48" X 54"	Solid top, 1-12" leaf, or 1-18" butterfly leaf

## SPECIES

BROWN MAPLE • RED OAK • QSWO • CHERRY • HARD MAPLE • HICKORY • RUSTIC CHERRY • RUSTIC HICKORY • RUSTIC QSWO  
RUSTIC WALNUT • SAP CHERRY • WALNUT • WORMY MAPLE • PLAIN SAWN WHITE OAK • RUSTIC PLAIN SAWN WHITE OAK

## SHAPE OPTIONS



RECTANGLE  
(STANDARD)



1" RADIUS  
CORNER



BOW END

## EDGE OPTIONS



MISSION  
(STANDARD)



5/8" ROUNDOVER



WATERFALL



BEVEL



CHAMFER

# MADISON LEG PUB

- 1" Square top with Mission edge standard
- Arched skirt standard as shown
- 3" x 3" straight legs standard
- Floor to bottom of skirt 30½" at the legs and 32½" at the center
- 36" high standard. Also available in 30" & 42" h



## SIZES

- |                  |  |
|------------------|--|
| 36" X 36" Square | Up to 3-12" leaves                         |
| 42" X 42" Square | Up to 3-12" leaves or 1-18" butterfly leaf |
| 48" X 48" Square | Up to 3-12" leaves or 1-18" butterfly leaf |

## SPECIES

BROWN MAPLE • RED OAK • QSWO • CHERRY • HARD MAPLE • HICKORY • RUSTIC CHERRY • RUSTIC HICKORY • RUSTIC QSWO  
RUSTIC WALNUT • SAP CHERRY • WALNUT • WORMY MAPLE • PLAIN SAWN WHITE OAK • RUSTIC PLAIN SAWN WHITE OAK

## SHAPE OPTIONS



RECTANGLE  
(STANDARD)



1" RADIUS  
CORNER

## EDGE OPTIONS



MISSION  
(STANDARD)



5/8" ROUNDOVER



WATERFALL



BEVEL



CHAMFER



# LIVE EDGE TABLE



42" X 84" 30" high  
Solid Top  
Rustic Walnut  
Choose any base

- 1½" Rectangle top with Live edge standard
- Black powder coated metal base
- Base standard as shown with levelers
- 30" high standard. Also available in 36" high
- Every Live edge top is unique and will vary from top to top
- For no live edge, see Livingston Table
- Shown in Rustic Walnut with PCL Natural Effect finish  
*(Note: Actual color may vary from picture)*
- For pricing, see page 5 of pricelist



Xavier base



El Dorado base



Martin base



Lifestyle base



Pagosa base

## SIZES

36" X 60"	42" X 60"	48" X 60"
36" X 72"	42" X 72"	48" X 72"
36" X 84"	42" X 84"	48" X 84"
36" X 96"	42" X 96"	48" X 96"
36" X 108"	42" X 108"	48" X 108"
36" X 120"	42" X 120"	48" X 120"

## SPECIES

RUSTIC CHERRY  
RUSTIC WALNUT  
WORMY MAPLE

## SHAPE OPTIONS



RECTANGLE



LIVE/MISSION

# LIVE EDGE BENCH

- 1½" Rectangle top with Live edge standard
- Black powder coated metal base
- 18" high standard. NOT available in 24" high
- Every Live edge top is unique and will vary from top to top
- For no live edge, see Livingston Bench
- Shown in Rustic Walnut with PCL Natural Effect finish  
(Note: Actual color may vary from picture)
- For pricing, see page 5 of pricelist



12 ½" X 84"  
Solid Top  
Rustic Walnut  
Choose any base



Xavier base



El Dorado base



Martin base



Lifestyle base



Pagosa base

## SIZES

12 ½" X 60"  
12 ½" X 72"  
12 ½" X 84"  
12 ½" X 96"

## SPECIES

RUSTIC CHERRY  
RUSTIC WALNUT  
WORMY MAPLE

## SHAPE OPTIONS



RECTANGLE

## EDGE OPTIONS



LIVE/MISSION



LIVE EDGE  
TABLE w/  
XAVIER BASE

shown in Rustic Walnut  
with PCL Bel Air stain.

Shown with FN  
Sheldon Chairs.

*(Note: Actual color  
may vary from picture)*





# LIVE EDGE ROUGH SAWN TABLE

- 1¾" Rectangle top with Live edge standard
- Black powder coated metal base
- Base standard as shown with levelers
- 30" high standard. Also available in 36" high
- Every Live edge top is unique and will vary from top to top
- Shown in Rough Sawn Wormy Maple with PCL Sandstone 10 sheen finish  
*(Note: Actual color may vary from picture)*
- For pricing, see page 5 of pricelist



El Dorado base



Lifestyle base



Pagosa base



Martin base



Xavier base

## SIZES

36" X 60"	42" X 60"	48" X 60"
36" X 72"	42" X 72"	48" X 72"
36" X 84"	42" X 84"	48" X 84"
36" X 96"	42" X 96"	48" X 96"

## SPECIES

ROUGH SAWN WORMY MAPLE

## SHAPE OPTIONS



RECTANGLE

## EDGE OPTIONS



LIVE/MISSION

# LIVE EDGE ROUGH SAWN BENCH

- 1¾" Rectangle top with Live edge standard
- Black powder coated metal base
- 18" high standard. NOT available in 24" high
- Every Live edge top is unique and will vary from top to top
- Shown in Rough Sawn Wormy Maple with PCL Sandstone 10 sheen finish  
*(Note: Actual color may vary from picture)*
- For pricing, see page 5 of pricelist



El Dorado base



Lifestyle base



Pagosa base



Martin base



Xavier base

## SIZES

12 ½" X 60"  
12 ½" X 72"  
12 ½" X 84"  
12 ½" X 96"

## SPECIES

ROUGH SAWN WORMY MAPLE

## SHAPE OPTIONS



RECTANGLE

## EDGE OPTIONS



LIVE/MISSION



LIVE EDGE  
ROUGH SAWN  
TABLE w/  
EL DORADO  
BASE  
BASE

shown in Rough Sawn  
Wormy Maple with  
PCL Bel Air 10 sheen  
finish. Shown with West  
Point Live Edge Rough  
Sawn Bench w/  
El Dorado Base and FN  
Denver Chairs.

*(Note: Actual color  
may vary from picture)*





# LIVINGSTON TABLE

- 1½" Rectangle top with Mission edge standard
- Black powder coated metal base
- Base standard as shown with levelers
- 30" high standard. Also available in 36" high
- For live edge, see Live Edge Table
- Shown in Rustic Hickory with PCL Cappuccino 10 sheen finish  
*(Note: Actual color may vary from picture)*
- For pricing, see page 5 of pricelist



Lifestyle base



El Dorado base



Pagosa base



Martin base



Xavier base

## SIZES

36" X 60"	42" X 60"	48" X 60"
36" X 72"	42" X 72"	48" X 72"
36" X 84"	42" X 84"	48" X 84"
36" X 96"	42" X 96"	48" X 96"
36" X 108"	42" X 108"	48" X 108"
36" X 120"	42" X 120"	48" X 120"

## SPECIES

BROWN MAPLE • RED OAK • QSWO • CHERRY • HARD MAPLE  
 HICKORY • RUSTIC CHERRY • RUSTIC HICKORY • RUSTIC QSWO  
 RUSTIC WALNUT • SAP CHERRY • WALNUT • WORMY MAPLE  
 PLAIN SAWN WHITE OAK • RUSTIC PLAIN SAWN WHITE OAK

## SHAPE OPTIONS



RECTANGLE

## EDGE OPTIONS



MISSION

# LIVINGSTON BENCH

- 1½" Rectangle top with Mission edge standard
- Black powder coated metal base
- 18" high standard. NOT available in 24" high
- For live edge, see Live Edge Bench
- Shown in Rustic Hickory with PCL Cappuccino 10 sheen finish  
(Note: Actual color may vary from picture)
- For pricing, see page 5 of pricelist



## SIZES

12 ½" X 60"  
12 ½" X 72"  
12 ½" X 84"  
12 ½" X 96"

## SPECIES

BROWN MAPLE • RED OAK • QSWO • CHERRY • HARD MAPLE  
HICKORY • RUSTIC CHERRY • RUSTIC HICKORY • RUSTIC QSWO  
RUSTIC WALNUT • SAP CHERRY • WALNUT • WORMY MAPLE  
PLAIN SAWN WHITE OAK • RUSTIC PLAIN SAWN WHITE OAK

## SHAPE OPTIONS



RECTANGLE

## EDGE OPTIONS



MISSION



LIVINGSTON  
TABLE w/  
LIFESTYLE BASE  
shown in Rustic Plain  
Sawn White Oak with  
PCL Natural Effect  
finish. Shown with FN  
Arden Chairs with R1-33  
Indigo fabric.

*(Note: Actual color  
may vary from picture)*





# LOGAN BENCH

- 1" Rectangle top with Mission edge standard
- 18" high
- Leaf storage box to store all 3 leaves
- Solid tops will not have center legs
- Fabric or Leather bench top available – solid top only. See page 34 for details.
- Shown in Red Oak with PCL Almond stain  
(Note: Actual color may vary from picture)



## SIZES

12 ½" X 48"	Solid top or up to 3-12" leaves
12 ½" X 54"	Solid top or up to 3-12" leaves
12 ½" X 60"	Solid top or up to 3-12" leaves

## SPECIES

BROWN MAPLE • RED OAK • QSWO • CHERRY • HARD MAPLE • HICKORY • RUSTIC CHERRY • RUSTIC HICKORY • RUSTIC QSWO  
RUSTIC WALNUT • SAP CHERRY • WALNUT • WORMY MAPLE • PLAIN SAWN WHITE OAK • RUSTIC PLAIN SAWN WHITE OAK

## SHAPE OPTIONS



RECTANGLE

## EDGE OPTIONS



MISSION

# LOGAN TRESTLE

- 1" Rectangle top with Mission edge standard
- Base standard as shown with levelers
- Available in 36" height
- Floor to bottom of skirt 26½"
- Shown in Red Oak with PCL Tavern stain  
(Note: Actual color may vary from picture)



## SIZES

36" X 48"	Up to 3-12" leaves	Stores up to 2 unskirted leaves
36" X 54"	Up to 3-12" leaves	Stores up to 2 unskirted leaves
36" X 60"	Up to 3-12" leaves	Stores up to 2 unskirted leaves
42" X 48"	Up to 3-12" leaves	Self-store NOT available
42" X 54"	Up to 3-12" leaves	Stores up to 3 unskirted leaves
42" X 60"	Up to 3-12" leaves	Stores up to 3 unskirted leaves

## SPECIES

BROWN MAPLE • RED OAK • QSWO • CHERRY • HARD MAPLE • HICKORY • RUSTIC CHERRY • RUSTIC HICKORY • RUSTIC QSWO  
RUSTIC WALNUT • SAP CHERRY • WALNUT • WORMY MAPLE • PLAIN SAWN WHITE OAK • RUSTIC PLAIN SAWN WHITE OAK

## SHAPE OPTIONS



## EDGE OPTIONS



# MANKATO BENCH

- 1 ¼" Rectangle top with Mission edge
- 18" high



## **SIZES**

12 ½" X 48"	Solid top only
12 ½" X 60"	Solid top only
12 ½" X 72"	Solid top only

## **SPECIES**

BROWN MAPLE • RED OAK • QSWO • CHERRY • HARD MAPLE • HICKORY • RUSTIC CHERRY • RUSTIC HICKORY • RUSTIC QSWO  
RUSTIC WALNUT • SAP CHERRY • WALNUT • WORMY MAPLE • PLAIN SAWN WHITE OAK • RUSTIC PLAIN SAWN WHITE OAK

## **SHAPE OPTIONS**



RECTANGLE

## **EDGE OPTIONS**



MISSION

# MANKATO TRESTLE

- 1" Rectangle top with Mission edge standard
- Base standard as shown with levelers
- Available in 36" height
- Floor to bottom of skirt 26½"
- Shown in Red Oak with PCL Briar finish  
*(Note: Actual color may vary from picture)*



## SIZES

42" X 60"	Up to 4-12" leaves	Stores up to 4 unskirted leaves
42" X 66"	Up to 4-12" leaves	Stores up to 4 leaves, 2 w/skirts & 2 w/o
42" X 72"	Up to 4-12" leaves	Stores up to 4 leaves, 2 w/skirts & 2 w/o
48" X 60"	Up to 4-12" leaves	Stores up to 4 leaves, 2 w/skirts & 2 w/o
48" X 66"	Up to 4-12" leaves	Stores up to 4 unskirted leaves
48" X 72"	Up to 4-12" leaves	Stores up to 4 unskirted leaves

Available 84" long, N/A with butterfly leaves. See pricelist for details.

For more than 4 leaves, see page 35

## SPECIES

BROWN MAPLE • RED OAK • QSWO • CHERRY • HARD MAPLE • HICKORY • RUSTIC CHERRY • RUSTIC HICKORY • RUSTIC QSWO  
RUSTIC WALNUT • SAP CHERRY • WALNUT • WORMY MAPLE • PLAIN SAWN WHITE OAK • RUSTIC PLAIN SAWN WHITE OAK

## SHAPE OPTIONS



RECTANGLE  
(STANDARD)



1" RADIUS  
CORNER



BOW END



8" SQUARE  
ROUND



BOAT



BANQUET

Changing the top shape may affect self-store ability

## EDGE OPTIONS



MISSION  
(STANDARD)



5/8" ROUNDOVER



WATERFALL



BEVEL



CHAMFER



## MANKATO TRESTLE

shown in Rustic  
Hickory with PCL  
Sandstone stain.  
Shown with Artisan  
Vonda Chairs.

*(Note: Actual color  
may vary from picture)*





# MANSFIELD LEG

- 1" Boat shape top with Bevel edge standard
- 2 ½" straight skirt
- 3" x 3" leg as shown
- Available in 36" height
- Floor to bottom of skirt 26½"
- Shown in Brown Maple with PCL Asbury Brown stain (*Note: Actual color may vary from picture*)



## SIZES

42" X 60"	Up to 4-12" leaves or 1-18" butterfly leaf	Stores up to 2 leaves, 1 w/skirts & 1 w/o
42" X 66"	Up to 4-12" leaves or 1-18" butterfly leaf	Stores up to 2 leaves, 1 w/skirts & 1 w/o
42" X 72"	Up to 4-12" leaves or 1-18" butterfly leaf	Stores up to 4 leaves, 2 w/skirts & 2 w/o
48" X 60"	Up to 4-12" leaves or 1-18" butterfly leaf	Stores up to 2 leaves, 1 w/skirts & 1 w/o
48" X 66"	Up to 4-12" leaves or 1-18" butterfly leaf	Stores up to 2 leaves, 1 w/skirts & 1 w/o
48" X 72"	Up to 4-12" leaves or 1-18" butterfly leaf	Stores up to 4 leaves, 2 w/skirts & 2 w/o

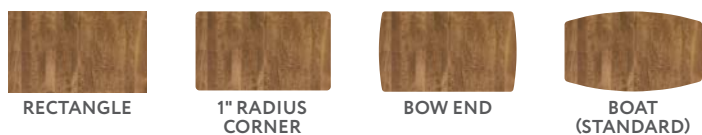
Available 84" long, N/A with butterfly leaves. See pricelist for details.

For more than 4 leaves, see page 35

## SPECIES

BROWN MAPLE • RED OAK • QSWO • CHERRY • HARD MAPLE • HICKORY • RUSTIC CHERRY • RUSTIC HICKORY • RUSTIC QSWO  
RUSTIC WALNUT • SAP CHERRY • WALNUT • WORMY MAPLE • PLAIN SAWN WHITE OAK • RUSTIC PLAIN SAWN WHITE OAK

## SHAPE OPTIONS



Changing the top shape may affect self-store ability

## EDGE OPTIONS



# McCoy BENCH

- 1" Rectangle top with Mission edge standard
- 18" high
- Leaf storage box to store all 4 leaves
- Solid tops will not have center legs
- Fabric or Leather bench top available – solid top only. See page 34 for details.



## **SIZES**

12 ½" X 48"	Solid top or up to 4-12" leaves
12 ½" X 60"	Solid top or up to 4-12" leaves
12 ½" X 72"	Solid top or up to 4-12" leaves

## **SPECIES**

BROWN MAPLE • RED OAK • QSWO • CHERRY • HARD MAPLE • HICKORY • RUSTIC CHERRY • RUSTIC HICKORY • RUSTIC QSWO  
RUSTIC WALNUT • SAP CHERRY • WALNUT • WORMY MAPLE • PLAIN SAWN WHITE OAK • RUSTIC PLAIN SAWN WHITE OAK

## **SHAPE OPTIONS**



RECTANGLE

## **EDGE OPTIONS**



MISSION



# McCOY TRESTLE

- 1" Rectangle top with 1" radius corner with Bevel edge standard
- Trestle base is 23 1/2" wide at top & 28" wide at bottom
- Floor to bottom of skirt 26 1/2"
- Available in 36" height



## SIZES

42" X 60"	Up to 4-12" leaves or 1-18" butterfly leaf	Stores up to 4 unskirted leaves
42" X 66"	Up to 4-12" leaves or up to 2-18" butterfly leaves	Stores up to 4 leaves, 2 w/skirts & 2 w/o
42" X 72"	Up to 4-12" leaves or up to 2-18" butterfly leaves	Stores up to 4 leaves, 2 w/skirts & 2 w/o
48" X 60"	Up to 4-12" leaves or 1-18" butterfly leaf	Stores up to 4 leaves, 2 w/skirts & 2 w/o
48" X 66"	Up to 4-12" leaves or up to 2-18" butterfly leaves	Stores up to 4 unskirted leaves
48" X 72"	Up to 4-12" leaves or up to 2-18" butterfly leaves	Stores up to 4 unskirted leaves

Available 84" long, N/A with butterfly leaves. See pricelist for details.

For more than 4 leaves, see page 35

## SPECIES

BROWN MAPLE • RED OAK • QSWO • CHERRY • HARD MAPLE • HICKORY • RUSTIC CHERRY • RUSTIC HICKORY • RUSTIC QSWO  
RUSTIC WALNUT • SAP CHERRY • WALNUT • WORMY MAPLE • PLAIN SAWN WHITE OAK • RUSTIC PLAIN SAWN WHITE OAK

## SHAPE OPTIONS



Changing the top shape may affect self-store ability

## EDGE OPTIONS



# MISSION BENCH

- 1" Rectangle top with Mission edge standard
- 18" high
- Includes leaf storage box that stores all 4 leaves
- Solid tops will not have center legs
- Fabric or Leather bench top available – solid top only. See page 34 for details.



## SIZES

12 ½" X 48"	Solid top or up to 4-12" leaves
12 ½" X 60"	Solid top or up to 4-12" leaves
12 ½" X 72"	Solid top or up to 4-12" leaves

## SPECIES

BROWN MAPLE • RED OAK • QSWO • CHERRY • HARD MAPLE • HICKORY • RUSTIC CHERRY • RUSTIC HICKORY • RUSTIC QSWO  
RUSTIC WALNUT • SAP CHERRY • WALNUT • WORMY MAPLE • PLAIN SAWN WHITE OAK • RUSTIC PLAIN SAWN WHITE OAK

## SHAPE OPTIONS



RECTANGLE

## EDGE OPTIONS



MISSION



# MISSION LEG

- 1" Rectangle top with Mission edge standard
- 3" x 3" Legs with corbels standard
- 2 ½" straight skirt standard
- Floor to bottom of skirt 26½"
- Available in 36" height



## SIZES

42" X 60"	Up to 4-12" leaves or 1-18" butterfly leaf	Stores up to 4 leaves, 2 w/skirts & 2 w/o
42" X 66"	Up to 4-12" leaves or 1-18" butterfly leaf	Stores up to 4 leaves, 2 w/skirts & 2 w/o
42" X 72"	Up to 4-12" leaves or 1-18" butterfly leaf	Stores up to 4 leaves, 2 w/skirts & 2 w/o
48" X 60"	Up to 4-12" leaves or 1-18" butterfly leaf	Stores up to 4 leaves, 2 w/skirts & 2 w/o
48" X 66"	Up to 4-12" leaves or 1-18" butterfly leaf	Stores up to 4 leaves, 2 w/skirts & 2 w/o
48" X 72"	Up to 4-12" leaves or 1-18" butterfly leaf	Stores up to 4 leaves, 2 w/skirts & 2 w/o

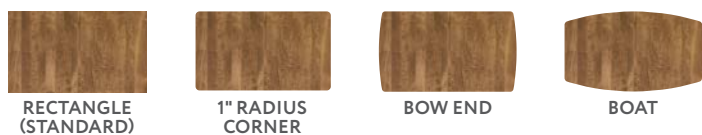
Available 84" long, N/A with butterfly leaves. See pricelist for details.

For more than 4 leaves, see page 35

## SPECIES

BROWN MAPLE • RED OAK • QSWO • CHERRY • HARD MAPLE • HICKORY • RUSTIC CHERRY • RUSTIC HICKORY • RUSTIC QSWO  
RUSTIC WALNUT • SAP CHERRY • WALNUT • WORMY MAPLE • PLAIN SAWN WHITE OAK • RUSTIC PLAIN SAWN WHITE OAK

## SHAPE OPTIONS



RECTANGLE  
(STANDARD)

1" RADIUS  
CORNER

BOW END

BOAT

Changing the top shape may affect self-store ability

## EDGE OPTIONS



MISSION  
(STANDARD)

5/8" ROUNDOVER

WATERFALL

BEVEL

CHAMFER

# MISSION TRESTLE

- 1" Rectangle top with Mission edge standard
- 2 ½" straight skirts with corner blocks
- Trestle base is 22" wide
- Floor to bottom of skirt 26½"
- Available in 36" height



## SIZES

42" X 60"	Up to 4-12" leaves or 1-18" butterfly leaf	Stores up to 4 unskirted leaves
42" X 66"	Up to 4-12" leaves or up to 2-18" butterfly leaves	Stores up to 4 leaves, 2 w/skirts & 2 w/o
42" X 72"	Up to 4-12" leaves or up to 2-18" butterfly leaves	Stores up to 4 leaves, 2 w/skirts & 2 w/o
48" X 60"	Up to 4-12" leaves or 1-18" butterfly leaf	Stores up to 4 leaves, 2 w/skirts & 2 w/o
48" X 66"	Up to 4-12" leaves or up to 2-18" butterfly leaves	Stores up to 4 unskirted leaves
48" X 72"	Up to 4-12" leaves or up to 2-18" butterfly leaves	Stores up to 4 unskirted leaves

Available 84" long, N/A with butterfly leaves. See pricelist for details.

For more than 4 leaves, see page 35

## SPECIES

BROWN MAPLE • RED OAK • QSWO • CHERRY • HARD MAPLE • HICKORY • RUSTIC CHERRY • RUSTIC HICKORY • RUSTIC QSWO  
 RUSTIC WALNUT • SAP CHERRY • WALNUT • WORMY MAPLE • PLAIN SAWN WHITE OAK • RUSTIC PLAIN SAWN WHITE OAK

## SHAPE OPTIONS



## EDGE OPTIONS



# MONARCH CABINET

- 1" Rectangle top with Mission edge standard
- Base standard as shown with levelers
- Cabinet base size is 25" x 25" (no options)
- 36" high standard. Also available in 30" & 42" high (30" h only has 2 drawers)
- Side mount drawer slides
- K2040-BL hardware standard
- Floor to bottom of skirt 32½"
- Not available with Round top
- Shown in Red Oak with PCL Sandstone stain (Note: Actual color may vary from picture)



## SIZES

42" X 42"	Solid top, 1-12" leaf, or 1-18" butterfly leaf
42" X 48"	Solid top, 1-12" leaf, or 1-18" butterfly leaf
42" X 54"	Solid top, 1-12" leaf, or 1-18" butterfly leaf
48" X 48"	Solid top, 1-12" leaf, or 1-18" butterfly leaf
48" X 54"	Solid top, 1-12" leaf, or 1-18" butterfly leaf

## SPECIES

BROWN MAPLE • RED OAK • QSWO • CHERRY • HARD MAPLE • HICKORY • RUSTIC CHERRY • RUSTIC HICKORY • RUSTIC QSWO  
RUSTIC WALNUT • SAP CHERRY • WALNUT • WORMY MAPLE • PLAIN SAWN WHITE OAK • RUSTIC PLAIN SAWN WHITE OAK

## SHAPE OPTIONS



RECTANGLE  
(STANDARD)



1" RADIUS  
CORNER



BOW END

## EDGE OPTIONS



MISSION  
(STANDARD)



5/8" ROUND  
OVER



WATERFALL



BEVEL



CHAMFER

# NAPERVILLE TRESTLE

- 1" Bow End top with Waterfall edge standard
- Base standard as shown with levelers
- Floor to bottom of skirt 26½"
- Available in 36" height
- Recommended chair: Naperville from Artisan Chairs
- Shown in Quarter Sawn White Oak with Michaels Cherry stain (Note: Actual color may vary from picture)



## SIZES

42" X 60"	Up to 4-12" leaves or 1-18" butterfly leaf	Stores up to 4 unskirted leaves
42" X 66"	Up to 4-12" leaves or up to 2-18" butterfly leaves	Stores up to 4 leaves, 2 w/skirts & 2 w/o
42" X 72"	Up to 4-12" leaves or up to 2-18" butterfly leaves	Stores up to 4 leaves, 2 w/skirts & 2 w/o
48" X 60"	Up to 4-12" leaves or 1-18" butterfly leaf	Stores up to 4 leaves, 2 w/skirts & 2 w/o
48" X 66"	Up to 4-12" leaves or up to 2-18" butterfly leaves	Stores up to 4 unskirted leaves
48" X 72"	Up to 4-12" leaves or up to 2-18" butterfly leaves	Stores up to 4 unskirted leaves

Available 84" long, N/A with butterfly leaves. See pricelist for details.

For more than 4 leaves, see page 35

## SPECIES

BROWN MAPLE • RED OAK • QSWO • CHERRY • HARD MAPLE • HICKORY • RUSTIC CHERRY • RUSTIC HICKORY • RUSTIC QSWO  
RUSTIC WALNUT • SAP CHERRY • WALNUT • WORMY MAPLE • PLAIN SAWN WHITE OAK • RUSTIC PLAIN SAWN WHITE OAK

## SHAPE OPTIONS



Changing the top shape may affect self-store ability

## EDGE OPTIONS



# NASHVILLE BENCH

- 1" Rectangle top with Mission edge standard
- 18" high
- Leaf storage box to store all 4 leaves
- Solid tops will not have center legs
- Fabric or Leather bench top available – solid top only. See page 34 for details.
- Shown in Rustic Hickory with PCL Almond stain  
(Note: Actual color may vary from picture)



## SIZES

12 ½" X 48"	Solid top or up to 4-12" leaves
12 ½" X 60"	Solid top or up to 4-12" leaves
12 ½" X 72"	Solid top or up to 4-12" leaves

## SPECIES

BROWN MAPLE • RED OAK • QSWO • CHERRY • HARD MAPLE • HICKORY • RUSTIC CHERRY • RUSTIC HICKORY • RUSTIC QSWO  
RUSTIC WALNUT • SAP CHERRY • WALNUT • WORMY MAPLE • PLAIN SAWN WHITE OAK • RUSTIC PLAIN SAWN WHITE OAK

## SHAPE OPTIONS



RECTANGLE

## EDGE OPTIONS



MISSION

# NASHVILLE TRESTLE

- 1" Bow End top with Waterfall edge standard
- Base standard as shown with levelers
- Floor to bottom of skirt 26½"
- Available in 36" height
- Shown in Brown Maple with PCL Earthtone stain  
*(Note: Actual color may vary from picture)*



## SIZES

42" X 60"	Up to 4-12" leaves or 1-18" butterfly leaf	Stores up to 4 unskirted leaves
42" X 66"	Up to 4-12" leaves or up to 2-18" butterfly leaves	Stores up to 4 leaves, 2 w/skirts & 2 w/o
42" X 72"	Up to 4-12" leaves or up to 2-18" butterfly leaves	Stores up to 4 leaves, 2 w/skirts & 2 w/o
48" X 60"	Up to 4-12" leaves or 1-18" butterfly leaf	Stores up to 4 leaves, 2 w/skirts & 2 w/o
48" X 66"	Up to 4-12" leaves or up to 2-18" butterfly leaves	Stores up to 4 unskirted leaves
48" X 72"	Up to 4-12" leaves or up to 2-18" butterfly leaves	Stores up to 4 unskirted leaves

Available 84" long, N/A with butterfly leaves. See pricelist for details.

For more than 4 leaves, see page 35

## SPECIES

BROWN MAPLE • RED OAK • QSWO • CHERRY • HARD MAPLE • HICKORY • RUSTIC CHERRY • RUSTIC HICKORY • RUSTIC QSWO  
RUSTIC WALNUT • SAP CHERRY • WALNUT • WORMY MAPLE • PLAIN SAWN WHITE OAK • RUSTIC PLAIN SAWN WHITE OAK

## SHAPE OPTIONS



Changing the top shape may affect self-store ability

## EDGE OPTIONS



# NEWARK BENCH

- 1" Rectangle top with 2" radius corners and Mission edge standard
- 18" high
- Leaf storage box to store all 4 leaves
- Solid tops will not have center legs
- Fabric or Leather bench top available – solid top only. See page 34 for details.
- Shown in Brown Maple with PCL Sandstone stain  
*(Note: Actual color may vary from picture)*



## SIZES

- 12 ½" X 48" Solid top or up to 4-12" leaves
- 12 ½" X 60" Solid top or up to 4-12" leaves
- 12 ½" X 72" Solid top or up to 4-12" leaves

## SPECIES

BROWN MAPLE • RED OAK • QSWO • CHERRY • HARD MAPLE • HICKORY • RUSTIC CHERRY • RUSTIC HICKORY • RUSTIC QSWO  
RUSTIC WALNUT • SAP CHERRY • WALNUT • WORMY MAPLE • PLAIN SAWN WHITE OAK • RUSTIC PLAIN SAWN WHITE OAK

## SHAPE OPTIONS



2" RADIUS  
CORNER

## EDGE OPTIONS



MISSION

# NEWARK LEG

- 1" Rectangle top with 3" radius corners and Mission edge standard
- Legs standard as shown
- No gap cover (not available)
- Floor to bottom of skirt 26"
- Available in 36" height
- Shown in Brown Maple with PCL Sandstone stain  
*(Note: Actual color may vary from picture)*



## SIZES

42" X 60"	Up to 4-12" leaves or 1-18" butterfly leaf	Stores up to 4 leaves, 2 w/skirts & 2 w/o
42" X 66"	Up to 4-12" leaves or 1-18" butterfly leaf	Stores up to 4 leaves, 2 w/skirts & 2 w/o
42" X 72"	Up to 4-12" leaves or 1-18" butterfly leaf	Stores up to 4 leaves, 2 w/skirts & 2 w/o
48" X 60"	Up to 4-12" leaves or 1-18" butterfly leaf	Stores up to 4 leaves, 2 w/skirts & 2 w/o
48" X 66"	Up to 4-12" leaves or 1-18" butterfly leaf	Stores up to 4 leaves, 2 w/skirts & 2 w/o
48" X 72"	Up to 4-12" leaves or 1-18" butterfly leaf	Stores up to 4 leaves, 2 w/skirts & 2 w/o

Available 84" long, N/A with butterfly leaves. See pricelist for details.

For more than 4 leaves, see page 35

## SPECIES

BROWN MAPLE • RED OAK • QSWO • CHERRY • HARD MAPLE • HICKORY • RUSTIC CHERRY • RUSTIC HICKORY • RUSTIC QSWO  
RUSTIC WALNUT • SAP CHERRY • WALNUT • WORMY MAPLE • PLAIN SAWN WHITE OAK • RUSTIC PLAIN SAWN WHITE OAK

## SHAPE OPTIONS



3" RADIUS  
CORNER

## EDGE OPTIONS



MISSION  
(STANDARD)



5/8" ROUNDOVER



WATERFALL



BEVEL



CHAMFER



## NEWARK LEG

shown in Brown Maple  
with PCL Sandstone  
stain. Shown with  
Artisan Newark Chairs.

*(Note: Actual color  
may vary from picture)*





# NEWBURY BENCH

- 1" Bow End top with Bevel edge standard
- 18" high
- Includes leaf storage box that stores all 4 leaves
- Solid tops will not have center legs
- Fabric or Leather bench top available – solid top only. See page 34 for details.



## **SIZES**

- |             |                                 |
|-------------|---------------------------------|
| 12 ½" X 48" | Solid top or up to 4-12" leaves |
| 12 ½" X 60" | Solid top or up to 4-12" leaves |
| 12 ½" X 72" | Solid top or up to 4-12" leaves |

## **SPECIES**

BROWN MAPLE • RED OAK • QSWO • CHERRY • HARD MAPLE • HICKORY • RUSTIC CHERRY • RUSTIC HICKORY • RUSTIC QSWO  
RUSTIC WALNUT • SAP CHERRY • WALNUT • WORMY MAPLE • PLAIN SAWN WHITE OAK • RUSTIC PLAIN SAWN WHITE OAK

## **SHAPE OPTIONS**



BOW END

## **EDGE OPTIONS**



BEVEL

# NEWBURY LEG



42" X 60" 30" high  
2-12" S/S leaves  
Brown Maple  
Standard shape & edge

- 1" Bow End top with Bevel edge standard
- 2 ½" straight skirt
- Legs standard as shown
- Floor to bottom of skirt 26½"
- Available in 36" height
- Recommended chair:  
Newbury from Artisan Chairs



## SIZES

42" X 60"	Up to 4-12" leaves or 1-18" butterfly leaf	Stores up to 4 leaves, 2 w/skirts & 2 w/o
42" X 66"	Up to 4-12" leaves or 1-18" butterfly leaf	Stores up to 4 leaves, 2 w/skirts & 2 w/o
42" X 72"	Up to 4-12" leaves or 1-18" butterfly leaf	Stores up to 4 leaves, 2 w/skirts & 2 w/o
48" X 60"	Up to 4-12" leaves or 1-18" butterfly leaf	Stores up to 4 leaves, 2 w/skirts & 2 w/o
48" X 66"	Up to 4-12" leaves or 1-18" butterfly leaf	Stores up to 4 leaves, 2 w/skirts & 2 w/o
48" X 72"	Up to 4-12" leaves or 1-18" butterfly leaf	Stores up to 4 leaves, 2 w/skirts & 2 w/o

Available 84" long, N/A with butterfly leaves. See pricelist for details.

For more than 4 leaves, see page 35

## SPECIES

BROWN MAPLE • RED OAK • QSWO • CHERRY • HARD MAPLE • HICKORY • RUSTIC CHERRY • RUSTIC HICKORY • RUSTIC QSWO  
RUSTIC WALNUT • SAP CHERRY • WALNUT • WORMY MAPLE • PLAIN SAWN WHITE OAK • RUSTIC PLAIN SAWN WHITE OAK

## SHAPE OPTIONS



Changing the top shape may affect self-store ability

## EDGE OPTIONS



## NEWBURY LEG

shown in Brown Maple  
with PCL Michaels  
Cherry top & PCL  
Onyx base. Shown with  
Artisan Newbury Chairs.

*(Note: Actual color  
may vary from picture)*





## NORA SINGLE

shown in Brown Maple  
with PCL Almond  
stain. Shown with FN  
Millbrook Chairs.

*(Note: Actual color  
may vary from picture)*





# NORA SINGLE

- 1" Round top with Mission edge standard
- Base standard as shown with levelers
- Floor to bottom of skirt 26½"
- Available in 36" height
- Shown in Sap Cherry with PCL Vintage Antique stain  
*(Note: Actual color may vary from picture)*



## SIZES

42" X 42" Round	Up to 2-12" leaves or 1-18" butterfly leaf
48" X 48" Round	Up to 2-12" leaves or 1-18" butterfly leaf
54" X 54" Round	Up to 2-12" leaves or 1-18" butterfly leaf

## SPECIES

BROWN MAPLE • RED OAK • QSWO • CHERRY • HARD MAPLE • HICKORY • RUSTIC CHERRY • RUSTIC HICKORY • RUSTIC QSWO  
RUSTIC WALNUT • SAP CHERRY • WALNUT • WORMY MAPLE • PLAIN SAWN WHITE OAK • RUSTIC PLAIN SAWN WHITE OAK

## SHAPE OPTIONS



ROUND

## EDGE OPTIONS



MISSION  
(STANDARD)



5/8" ROUND OVER



WATERFALL



BEVEL



CHAMFER

# OLDE CENTURY MISSION BENCH

- 1" Rectangle top with Mission edge standard
- Includes leaf storage box that stores all 4 leaves
- Solid tops will not have center legs
- Fabric or Leather bench top available – solid top only. See page 34 for details.



## **SIZES**

- |             |                                 |
|-------------|---------------------------------|
| 12 ½" X 48" | Solid top or up to 4-12" leaves |
| 12 ½" X 60" | Solid top or up to 4-12" leaves |
| 12 ½" X 72" | Solid top or up to 4-12" leaves |

## **SPECIES**

BROWN MAPLE • RED OAK • QSWO • CHERRY • HARD MAPLE • HICKORY • RUSTIC CHERRY • RUSTIC HICKORY • RUSTIC QSWO  
RUSTIC WALNUT • SAP CHERRY • WALNUT • WORMY MAPLE • PLAIN SAWN WHITE OAK • RUSTIC PLAIN SAWN WHITE OAK

## **SHAPE OPTIONS**



RECTANGLE

## **EDGE OPTIONS**



MISSION



# OLDE CENTURY MISSION TRESTLE

- 1" Rectangle top with Mission edge standard
- Skirt standard with half-lap corner joints
- Trestle base is 24" wide
- Available in 36" height
- Floor to bottom of skirt 26½"
- Recommended chair: Olde Century from Artisan Chairs



## SIZES

42" X 60"	Up to 4-12" leaves or 1-18" butterfly leaf	Stores up to 4 unskirted leaves
42" X 66"	Up to 4-12" leaves or up to 2-18" butterfly leaves	Stores up to 4 leaves, 2 w/skirts & 2 w/o
42" X 72"	Up to 4-12" leaves or up to 2-18" butterfly leaves	Stores up to 4 leaves, 2 w/skirts & 2 w/o
48" X 60"	Up to 4-12" leaves or 1-18" butterfly leaf	Stores up to 4 leaves, 2 w/skirts & 2 w/o
48" X 66"	Up to 4-12" leaves or up to 2-18" butterfly leaves	Stores up to 4 unskirted leaves
48" X 72"	Up to 4-12" leaves or up to 2-18" butterfly leaves	Stores up to 4 unskirted leaves

Available 84" long, N/A with butterfly leaves. See pricelist for details.

For more than 4 leaves, see page 35

## SPECIES

BROWN MAPLE • RED OAK • QSWO • CHERRY • HARD MAPLE • HICKORY • RUSTIC CHERRY • RUSTIC HICKORY • RUSTIC QSWO  
RUSTIC WALNUT • SAP CHERRY • WALNUT • WORMY MAPLE • PLAIN SAWN WHITE OAK • RUSTIC PLAIN SAWN WHITE OAK

## SHAPE OPTIONS



RECTANGLE  
(STANDARD)



1" RADIUS  
CORNER



BOW END

## EDGE OPTIONS



MISSION  
(STANDARD)



5/8" ROUNDOVER



WATERFALL



BEVEL



CHAMFER

# PLYMOUTH LEG DROP LEAF



36" X 32"  
Solid top  
Oak  
Standard  
shape & edge  
Tapered legs

- 1" Rectangle top with Mission edge standard
- 2 - 10" drop leaves standard
- 3" x 3" Tapered legs standard as shown (optional legs: Lexington Mini, Straight or Traditional)
- Legs standard as shown with levelers
- Floor to bottom of skirt 26½"
- 20 7/8" between legs on sides
- Rectangle table shown in Red Oak with PCL Almond stain; Oval table shown in Brown Maple with PCL Carbon stain  
*(Note: Actual color may vary from picture)*



## SIZES

36" x 32" (36" x 52" with leaves up)  
42" x 32" (42" x 52" with leaves up)  
NO CUSTOM SIZES

Solid top or up to 4-12" center leaves  
Solid top or up to 4-12" center leaves

## SPECIES

BROWN MAPLE • RED OAK • QSWO • CHERRY • HARD MAPLE • HICKORY • RUSTIC CHERRY • RUSTIC HICKORY • RUSTIC QSWO  
RUSTIC WALNUT • SAP CHERRY • WALNUT • WORMY MAPLE • PLAIN SAWN WHITE OAK • RUSTIC PLAIN SAWN WHITE OAK

## SHAPE OPTIONS



RECTANGLE  
(STANDARD)



OVAL

## EDGE OPTIONS



MISSION  
(STANDARD)



5/8" ROUNDOVER



WATERFALL



BEVEL



CHAMFER



## PORTLAND SINGLE

shown in Shown in  
Sap Cherry with PCL  
Sandstone stain.  
Shown with FN  
Savannah Chairs.

*(Note: Actual color  
may vary from picture)*





# PORTLAND SINGLE

- 1" Round top with Mission edge standard
- Base standard as shown with levelers
- Floor to bottom of skirt 26½"
- Not available in pub height
- Shown in Rustic Cherry with PCL Medium Walnut finish  
*(Note: Actual color may vary from picture)*



## SIZES

- |                 |  |
|-----------------|--|
| 48" X 48" Round | Up to 2-12" leaves or 1-18" butterfly leaf |
| 54" X 54" Round | Up to 2-12" leaves or 1-18" butterfly leaf |
| 60" X 60" Round | Up to 2-12" leaves or 1-18" butterfly leaf |

## SPECIES

BROWN MAPLE • RED OAK • QSWO • CHERRY • HARD MAPLE • HICKORY • RUSTIC CHERRY • RUSTIC HICKORY • RUSTIC QSWO  
RUSTIC WALNUT • SAP CHERRY • WALNUT • WORMY MAPLE • PLAIN SAWN WHITE OAK • RUSTIC PLAIN SAWN WHITE OAK

## SHAPE OPTIONS



ROUND

## EDGE OPTIONS



MISSION  
(STANDARD)



5/8" ROUNDOVER



WATERFALL



BEVEL



CHAMFER

# PRESTON DOUBLE

- 1" Oval top with Roundover edge standard
- Base standard as shown with levelers
- Floor to bottom of skirt 26½"
- Available in 36" height



## SIZES

42" X 60"	Up to 4-12" leaves	2 leaf stores 1 w/skirts & 1 w/o	4 leaf cannot self-store
42" X 66"	Up to 4-12" leaves	2 leaf stores both with skirts	4 leaf stores 2 leaves, 1 w/skirts & 1 w/o
42" X 72"	Up to 4-12" leaves	2 leaf stores both with skirts	4 leaf stores 2 leaves, 1 w/skirts & 1 w/o
48" X 60"	Up to 4-12" leaves	2 leaf stores 1 w/skirts & 1 w/o	4 leaf cannot self-store
48" X 66"	Up to 4-12" leaves	2 leaf stores both with skirts	4 leaf stores 2 leaves, 1 w/skirts & 1 w/o
48" X 72"	Up to 4-12" leaves	2 leaf stores both with skirts	4 leaf stores 4 leaves, 2 w/skirts & 2 w/o

For more than 4 leaves, see page 35

## SPECIES

BROWN MAPLE • RED OAK • QSWO • CHERRY • HARD MAPLE • HICKORY • RUSTIC CHERRY • RUSTIC HICKORY • RUSTIC QSWO  
RUSTIC WALNUT • SAP CHERRY • WALNUT • WORMY MAPLE • PLAIN SAWN WHITE OAK • RUSTIC PLAIN SAWN WHITE OAK

## SHAPE OPTIONS



RECTANGLE



1" RADIUS  
CORNER



BOW END



OVAL  
(STANDARD)



BOAT



BANQUET

Changing the top shape may affect self-store ability

## EDGE OPTIONS



MISSION



5/8" ROUNDOVER  
(STANDARD)



WATERFALL



BEVEL



CHAMFER



# PRESTON SINGLE

- 1" Round top with Roundover edge standard
- Base standard as shown with levelers
- Floor to bottom of skirt 26½"
- Available in 36" height



## SIZES

42" X 42" Round    Up to 2-12" leaves or 1-18" butterfly leaf  
48" X 48" Round    Up to 2-12" leaves or 1-18" butterfly leaf

## SPECIES

BROWN MAPLE • RED OAK • QSWO • CHERRY • HARD MAPLE • HICKORY • RUSTIC CHERRY • RUSTIC HICKORY • RUSTIC QSWO  
RUSTIC WALNUT • SAP CHERRY • WALNUT • WORMY MAPLE • PLAIN SAWN WHITE OAK • RUSTIC PLAIN SAWN WHITE OAK

## SHAPE OPTIONS



ROUND

## EDGE OPTIONS



MISSION



5/8" ROUNDOVER  
(STANDARD)



WATERFALL



BEVEL



CHAMFER

# RENO TRESTLE

- 1" Bow End top with Waterfall edge standard
- Base standard as shown with levelers
- Available in 36" height
- Floor to bottom of skirt 26½"
- Recommended chair: Reno from Artisan Chairs



## SIZES

42" X 60"	Up to 4-12" leaves or 1-18" butterfly leaf	Stores up to 4 unskirted leaves
42" X 66"	Up to 4-12" leaves or up to 2-18" butterfly leaves	Stores up to 4 leaves, 2 w/skirts & 2 w/o
42" X 72"	Up to 4-12" leaves or up to 2-18" butterfly leaves	Stores up to 4 leaves, 2 w/skirts & 2 w/o
48" X 60"	Up to 4-12" leaves or 1-18" butterfly leaf	Stores up to 4 leaves, 2 w/skirts & 2 w/o
48" X 66"	Up to 4-12" leaves or up to 2-18" butterfly leaves	Stores up to 4 unskirted leaves
48" X 72"	Up to 4-12" leaves or up to 2-18" butterfly leaves	Stores up to 4 unskirted leaves

Available 84" long, N/A with butterfly leaves. See pricelist for details.

For more than 4 leaves, see page 35

## SPECIES

BROWN MAPLE • RED OAK • QSWO • CHERRY • HARD MAPLE • HICKORY • RUSTIC CHERRY • RUSTIC HICKORY • RUSTIC QSWO  
RUSTIC WALNUT • SAP CHERRY • WALNUT • WORMY MAPLE • PLAIN SAWN WHITE OAK • RUSTIC PLAIN SAWN WHITE OAK

## SHAPE OPTIONS



Changing the top shape may affect self-store ability

## EDGE OPTIONS



## RENO TRESTLE

shown in Cherry with  
Michael's Cherry stain.  
Shown with Reno Chairs  
from Artisan Chairs.

*(Note: Actual color  
may vary from picture)*





# RENO BENCH

- 1" Rectangle top with Mission edge standard
- 18" high
- Leaf storage box to store up to 4 leaves
- Solid tops will not have center legs
- Fabric or Leather bench top available – solid top only. See page 34 for details.



## SIZES

- |             |                                 |
|-------------|---------------------------------|
| 12 ½" X 48" | Solid top or up to 4-12" leaves |
| 12 ½" X 60" | Solid top or up to 4-12" leaves |
| 12 ½" X 72" | Solid top or up to 4-12" leaves |

## SPECIES

BROWN MAPLE • RED OAK • QSWO • CHERRY • HARD MAPLE • HICKORY • RUSTIC CHERRY • RUSTIC HICKORY • RUSTIC QSWO  
RUSTIC WALNUT • SAP CHERRY • WALNUT • WORMY MAPLE • PLAIN SAWN WHITE OAK • RUSTIC PLAIN SAWN WHITE OAK

## SHAPE OPTIONS



RECTANGLE

## EDGE OPTIONS



MISSION

# RIDGECREST DOUBLE

- 1" Rectangle top with Mission edge standard
- Base standard as shown with levelers
- Floor to bottom of skirt 26½"
- Not available in pub height



## SIZES

42" X 66"	Up to 4-12" leaves	Stores up to 4 leaves, 2 w/skirts & 2 w/o
42" X 72"	Up to 4-12" leaves	Stores up to 4 leaves, 2 w/skirts & 2 w/o
48" X 66"	Up to 4-12" leaves	Stores up to 4 leaves, 2 w/skirts & 2 w/o
48" X 72"	Up to 4-12" leaves	Stores up to 4 leaves, 2 w/skirts & 2 w/o

NOT AVAILABLE IN 60" LENGTH

*For more than 4 leaves, see page 35*

## SPECIES

BROWN MAPLE • RED OAK • QSWO • CHERRY • HARD MAPLE • HICKORY • RUSTIC CHERRY • RUSTIC HICKORY • RUSTIC QSWO  
RUSTIC WALNUT • SAP CHERRY • WALNUT • WORMY MAPLE • PLAIN SAWN WHITE OAK • RUSTIC PLAIN SAWN WHITE OAK

## SHAPE OPTIONS



*Changing the top shape may affect self-store ability*

## EDGE OPTIONS



## RIDGEWOOD SINGLE

shown in Rustic Hickory  
with PCL Sandstone  
10 sheen finish.  
Shown with FN Chairs  
Annapolis Bar Stools  
with Hickory seat and  
Brown Maple frame.

*(Note: Actual color  
may vary from picture)*





# RIDGEWOOD SINGLE

- 1" Round top with Mission edge standard
- Base standard as shown with levelers
- Floor to bottom of skirt 26½"
- Available in 36" height (NOT available on 54" round)
- Shown in Rustic Hickory with PCL Sandstone 10 sheen finish  
*(Note: Actual color may vary from picture)*



## SIZES

42" X 42" Round	Up to 2-12" leaves or 1-18" butterfly leaf
48" X 48" Round	Up to 2-12" leaves or 1-18" butterfly leaf
54" X 54" Round	Up to 2-12" leaves or 1-18" butterfly leaf

## SPECIES

BROWN MAPLE • RED OAK • QSWO • CHERRY • HARD MAPLE • HICKORY • RUSTIC CHERRY • RUSTIC HICKORY • RUSTIC QSWO  
RUSTIC WALNUT • SAP CHERRY • WALNUT • WORMY MAPLE • PLAIN SAWN WHITE OAK • RUSTIC PLAIN SAWN WHITE OAK

## SHAPE OPTIONS



ROUND

## EDGE OPTIONS



MISSION  
(STANDARD)



5/8" ROUNDOVER



WATERFALL



BEVEL



CHAMFER

# SANTA FE LEG

- 1¾" Rectangle top with Mission edge standard
- Recommended chair: Houston from FN Chairs
- Floor to bottom of skirt 25½"
- Available in 36" height
- Shown in Rough Sawn Wormy Maple with PCL Almond 10 sheen finish  
*(Note: Actual color may vary from picture)*



## SIZES

42" X 60"	Up to 3-16" leaves	Stores 1 leaf with skirts
42" X 66"	Up to 3-16" leaves	Stores 1 leaf with skirts
42" X 72"	Up to 3-16" leaves	Stores 1 leaf with skirts
48" X 60"	Up to 3-16" leaves	Stores 1 leaf with skirts
48" X 66"	Up to 3-16" leaves	Stores 1 leaf with skirts
48" X 72"	Up to 3-16" leaves	Stores 1 leaf with skirts

Available 84" long, N/A with butterfly leaves. See pricelist for details.

## SPECIES

ROUGH SAWN WORMY MAPLE

## SHAPE OPTIONS



RECTANGLE

## EDGE OPTIONS



MISSION



## SANTA FE LEG

shown in Rough Sawn  
Wormy Maple with  
PCL Almond 10 sheen  
finish. Shown with FN  
Chairs Houston chairs.

*(Note: Actual color  
may vary from picture)*





# SANTA FE BENCH

---

- 1¾" Rectangle top with Mission edge standard
- Solid tops will not have center legs
- Fabric or Leather bench top available – solid top only. See page 34 for details.
- Shown in Rough Sawn Wormy Maple with PCL Almond 10 sheen finish  
(Note: Actual color may vary from picture)



## **SIZES**

---

12 ½" X 48"	Solid top or up to 3-16" leaves
12 ½" X 60"	Solid top or up to 3-16" leaves
12 ½" X 72"	Solid top or up to 3-16" leaves

## **SPECIES**

---

ROUGH SAWN WORMY MAPLE

## **SHAPE OPTIONS**

---



RECTANGLE

## **EDGE OPTIONS**

---



MISSION

# SARATOGA TRESTLE

- 1 ¼" Semi-Boat shape top standard
- Edge standard as shown
- Base standard as shown with levelers
- Not available in pub height
- Floor to bottom of skirt 26½"



## SIZES

42" X 72" Up to 4-12" leaves Stores up to 4 leaves, 2 w/skirts & 2 w/o  
48" X 72" Up to 4-12" leaves Stores up to 4 unskirted leaves

Available 84" long, N/A with butterfly leaves. See pricelist for details.

For more than 4 leaves, see page 35

## SPECIES

BROWN MAPLE • RED OAK • QSWO • CHERRY • HARD MAPLE • HICKORY • RUSTIC CHERRY • RUSTIC HICKORY • RUSTIC QSWO  
RUSTIC WALNUT • SAP CHERRY • WALNUT • WORMY MAPLE • PLAIN SAWN WHITE OAK • RUSTIC PLAIN SAWN WHITE OAK

## SHAPE OPTIONS



SEMI-BOAT

## EDGE OPTIONS



## SARATOGA TRESTLE

shown in Brown Maple  
with Autumn Leaf top &  
Onyx base. Shown with  
FN Chairs Brookfield  
chairs in Brown Maple  
finished with an Onyx  
stain and Linen fabric.

*(Note: Actual color  
may vary from picture)*





# SHELBY TRESTLE

- 1" Bow End top with Waterfall edge standard
- Base standard as shown with levelers
- Floor to bottom of skirt 26½"
- Not available in pub height
- Shown in Sap Cherry with PCL American Antique finish  
(Note: Actual color may vary from picture)



## SIZES

36" X 48"	Up to 3-12" leaves	Stores up to 2 unskirted leaves
36" X 54"	Up to 3-12" leaves	Stores up to 2 unskirted leaves
36" X 60"	Up to 3-12" leaves	Stores up to 2 unskirted leaves
42" X 48"	Up to 3-12" leaves	Self-store NOT available
42" X 54"	Up to 3-12" leaves	Stores up to 3 unskirted leaves
42" X 60"	Up to 3-12" leaves	Stores up to 3 unskirted leaves

## SPECIES

BROWN MAPLE • RED OAK • QSWO • CHERRY • HARD MAPLE • HICKORY • RUSTIC CHERRY • RUSTIC HICKORY • RUSTIC QSWO  
RUSTIC WALNUT • SAP CHERRY • WALNUT • WORMY MAPLE • PLAIN SAWN WHITE OAK • RUSTIC PLAIN SAWN WHITE OAK

## SHAPE OPTIONS



RECTANGLE



1" RADIUS  
CORNER



BOW END  
(STANDARD)

## EDGE OPTIONS



MISSION



5/8" ROUNDOVER



WATERFALL  
(STANDARD)



BEVEL



CHAMFER

# SHERIDAN TRESTLE



36" X 54" 30" high  
2-12" S/S leaves  
Red Oak  
Standard shape & edge

- 1" Bow End top with Chamfer edge standard
- Base standard as shown with levelers
- Floor to bottom of skirt 26½"
- Available in 36" height



## SIZES

36" X 48"	Up to 3-12" leaves	Stores up to 2 unskirted leaves
36" X 54"	Up to 3-12" leaves	Stores up to 2 unskirted leaves
36" X 60"	Up to 3-12" leaves	Stores up to 2 unskirted leaves
42" X 48"	Up to 3-12" leaves	Self-store NOT available
42" X 54"	Up to 3-12" leaves	Stores up to 3 unskirted leaves
42" X 60"	Up to 3-12" leaves	Stores up to 3 unskirted leaves

## SPECIES

BROWN MAPLE • RED OAK • QSWO • CHERRY • HARD MAPLE • HICKORY • RUSTIC CHERRY • RUSTIC HICKORY • RUSTIC QSWO  
RUSTIC WALNUT • SAP CHERRY • WALNUT • WORMY MAPLE • PLAIN SAWN WHITE OAK • RUSTIC PLAIN SAWN WHITE OAK

## SHAPE OPTIONS



RECTANGLE



1" RADIUS  
CORNER



BOW END  
(STANDARD)

## EDGE OPTIONS



MISSION



5/8" ROUNDOVER



WATERFALL



BEVEL



CHAMFER  
(STANDARD)



## SHERIDAN TRESTLE

shown in Red Oak with  
PCL Sandstone stain.  
Shown with FN Abe  
Chairs.

*(Note: Actual color  
may vary from picture)*





# SHERIDAN BENCH

- 1" Rectangle top with Mission edge standard
- 18" high
- Leaf storage box to store all 3 leaves
- Solid tops will not have center legs
- Fabric or Leather bench top available – solid top only. See page 34 for details.
- Shown in Red Oak with Asbury Brown stain  
(Note: Actual color may vary from picture)



## SIZES

12 ½" X 48"	Solid top or up to 3-12" leaves
12 ½" X 54"	Solid top or up to 3-12" leaves
12 ½" X 60"	Solid top or up to 3-12" leaves

## SPECIES

BROWN MAPLE • RED OAK • QSWO • CHERRY • HARD MAPLE • HICKORY • RUSTIC CHERRY • RUSTIC HICKORY • RUSTIC QSWO  
RUSTIC WALNUT • SAP CHERRY • WALNUT • WORMY MAPLE • PLAIN SAWN WHITE OAK • RUSTIC PLAIN SAWN WHITE OAK

## SHAPE OPTIONS



RECTANGLE

## EDGE OPTIONS



MISSION

# SIERRA TRESTLE

- 1" Rectangle top with Mission edge standard
- Base standard as shown with levelers
- Available in 36" height
- Floor to bottom of skirt 26½"
- Recommended chair: Sierra from Artisan Chairs



## SIZES

42" X 60"	Up to 4-12" leaves or 1-18" butterfly leaf	Stores up to 4 unskirted leaves
42" X 66"	Up to 4-12" leaves or up to 2-18" butterfly leaves	Stores up to 4 leaves, 2 w/skirts & 2 w/o
42" X 72"	Up to 4-12" leaves or up to 2-18" butterfly leaves	Stores up to 4 leaves, 2 w/skirts & 2 w/o
48" X 60"	Up to 4-12" leaves or 1-18" butterfly leaf	Stores up to 4 leaves, 2 w/skirts & 2 w/o
48" X 66"	Up to 4-12" leaves or up to 2-18" butterfly leaves	Stores up to 4 unskirted leaves
48" X 72"	Up to 4-12" leaves or up to 2-18" butterfly leaves	Stores up to 4 unskirted leaves

Available 84" long, N/A with butterfly leaves. See pricelist for details.

For more than 4 leaves, see page 35

## SPECIES

BROWN MAPLE • RED OAK • QSWO • CHERRY • HARD MAPLE • HICKORY • RUSTIC CHERRY • RUSTIC HICKORY • RUSTIC QSWO  
 RUSTIC WALNUT • SAP CHERRY • WALNUT • WORMY MAPLE • PLAIN SAWN WHITE OAK • RUSTIC PLAIN SAWN WHITE OAK

## SHAPE OPTIONS



Changing the top shape may affect self-store ability

## EDGE OPTIONS



## SONOMA SINGLE

shown in Brown Maple  
with PCL Shadow top &  
PCL Weathered Snow  
White 10 sheen base.  
Shown with FN Raleigh  
Chairs.

*(Note: Actual color  
may vary from picture)*





# SONOMA SINGLE

- 1¼" Round top with Waterfall edge standard
- Base standard as shown with levelers
- Floor to bottom of skirt 26½"
- Available in 36" height
- Shown in Brown Maple with PCL Shadow top & PCL Weathered Snow White 10 sheen base  
(Note: Actual color may vary from picture)



## SIZES

48" X 48" Round	Up to 2-12" leaves
54" X 54" Round	Up to 2-12" leaves
60" X 60" Round	Up to 2-12" leaves
72" X 72" Round	Solid top only

## SPECIES

BROWN MAPLE • RED OAK • QSWO • CHERRY • HARD MAPLE • HICKORY • RUSTIC CHERRY • RUSTIC HICKORY • RUSTIC QSWO  
RUSTIC WALNUT • SAP CHERRY • WALNUT • WORMY MAPLE • PLAIN SAWN WHITE OAK • RUSTIC PLAIN SAWN WHITE OAK

## SHAPE OPTIONS



ROUND

## EDGE OPTIONS



MISSION



5/8" ROUNDOVER



WATERFALL  
(STANDARD)



BEVEL



CHAMFER

# SYDNEY TRESTLE

- 1¼" Semi-Boat top with Underbevel edge standard
- Grain lengthwise is standard
- Base standard as shown with levelers
- Not available in pub height
- Shown in Brown Maple with PCL Granola 3 sheen finish  
(Note: Actual color may vary from picture)



## SIZES

42" X 72"	Solid top only
42" X 84"	Solid top only
42" X 96"	Solid top only
48" X 72"	Solid top only
48" X 84"	Solid top only
48" X 96"	Solid top only

## SPECIES

BROWN MAPLE • RED OAK • QSWO • CHERRY • HARD MAPLE • HICKORY • RUSTIC CHERRY • RUSTIC HICKORY • RUSTIC QSWO  
RUSTIC WALNUT • SAP CHERRY • WALNUT • WORMY MAPLE • PLAIN SAWN WHITE OAK • RUSTIC PLAIN SAWN WHITE OAK

## SHAPE OPTIONS



SEMI-BOAT

## EDGE OPTIONS



UNDERBEVEL



## SYDNEY TRESTLE

shown in Brown Maple  
with PCL Granola  
3 sheen finish. Shown  
with FN  
Van Buren Chairs.

*(Note: Actual color  
may vary from picture)*





# TRADITIONAL DOUBLE

- Oval top with Roundover edge standard
- Classic Empire feet standard as shown with levelers, also available with claw feet
- Bar spreader standard as shown, Spindle Rail is also available
- Available in 36" height
- Floor to bottom of skirt 26½"



## SIZES

42" X 60"	Up to 4-12" leaves	2 leaf stores 1 w/skirts & 1 w/o	4 leaf cannot self-store
42" X 66"	Up to 4-12" leaves	2 leaf stores both with skirts	4 leaf stores 2 leaves, 1 w/skirts & 1 w/o
42" X 72"	Up to 4-12" leaves	2 leaf stores both with skirts	4 leaf stores 2 leaves, 1 w/skirts & 1 w/o
48" X 60"	Up to 4-12" leaves	2 leaf stores 1 w/skirts & 1 w/o	4 leaf cannot self-store
48" X 66"	Up to 4-12" leaves	2 leaf stores both with skirts	4 leaf stores 2 leaves, 1 w/skirts & 1 w/o
48" X 72"	Up to 4-12" leaves	2 leaf stores both with skirts	4 leaf stores 4 leaves, 2 w/skirts & 2 w/o

For more than 4 leaves, see page 35

## SPECIES

BROWN MAPLE • RED OAK • QSWO • CHERRY • HARD MAPLE • HICKORY • RUSTIC CHERRY • RUSTIC HICKORY • RUSTIC QSWO  
RUSTIC WALNUT • SAP CHERRY • WALNUT • WORMY MAPLE • PLAIN SAWN WHITE OAK • RUSTIC PLAIN SAWN WHITE OAK

## SHAPE OPTIONS



Changing the top shape may affect self-store ability

## EDGE OPTIONS



# TRADITIONAL LEG

- Rectangle top with 4" corner radius and Roundover edge standard
- Table skirt standard as shown
- Available in 36" height
- Non-geared wooden slides
- Floor to bottom of skirt 24½" at the legs and 26½" at the center



## SIZES

42" X 60"	Up to 4-12" leaves or 1-18" butterfly leaf	Stores up to 4 leaves, 2 w/skirts & 2 w/o
42" X 66"	Up to 4-12" leaves or 1-18" butterfly leaf	Stores up to 4 leaves, 2 w/skirts & 2 w/o
42" X 72"	Up to 4-12" leaves or 1-18" butterfly leaf	Stores up to 4 leaves, 2 w/skirts & 2 w/o
48" X 60"	Up to 4-12" leaves or 1-18" butterfly leaf	Stores up to 4 leaves, 2 w/skirts & 2 w/o
48" X 66"	Up to 4-12" leaves or 1-18" butterfly leaf	Stores up to 4 leaves, 2 w/skirts & 2 w/o
48" X 72"	Up to 4-12" leaves or 1-18" butterfly leaf	Stores up to 4 leaves, 2 w/skirts & 2 w/o

Available 84" long, N/A with butterfly leaves. See pricelist for details.

For more than 4 leaves, see page 35

## SPECIES

BROWN MAPLE • RED OAK • QSWO • CHERRY • HARD MAPLE • HICKORY • RUSTIC CHERRY • RUSTIC HICKORY • RUSTIC QSWO  
RUSTIC WALNUT • SAP CHERRY • WALNUT • WORMY MAPLE • PLAIN SAWN WHITE OAK • RUSTIC PLAIN SAWN WHITE OAK

## SHAPE OPTIONS



RECTANGLE



4" RADIUS  
CORNER (STD)



BOW END

## EDGE OPTIONS



MISSION



5/8" ROUNDOVER  
(STANDARD)



WATERFALL



BEVEL



CHAMFER



# TRADITIONAL SINGLE PUB

- 1" Round solid top with Roundover edge standard
- Classic empire feet standard as shown with levelers, also available with claw feet
- 36" high standard. Also available in 30" & 42" h
- Floor to bottom of skirt 32½"



## SIZES

36" X 36" Round	Solid top only
42" X 42" Round	Solid top only
48" X 48" Round	Solid top only

## SPECIES

BROWN MAPLE • RED OAK • QSWO • CHERRY • HARD MAPLE • HICKORY • RUSTIC CHERRY • RUSTIC HICKORY • RUSTIC QSWO  
RUSTIC WALNUT • SAP CHERRY • WALNUT • WORMY MAPLE • PLAIN SAWN WHITE OAK • RUSTIC PLAIN SAWN WHITE OAK

## SHAPE OPTIONS



ROUND

## EDGE OPTIONS



MISSION



5/8" ROUNDOVER  
(STANDARD)



WATERFALL



BEVEL



CHAMFER

# TRADITIONAL SINGLE

- Round top with Roundover edge standard
- Classic empire feet standard as shown with levelers, also available with claw feet
- Floor to bottom of skirt 26½"
- Available in 36" height



## SIZES

- 36" X 36" Round Up to 2-12" leaves
- 42" X 42" Round Up to 2-12" leaves or 1-18" butterfly leaf
- 48" X 48" Round Up to 2-12" leaves or 1-18" butterfly leaf

## SPECIES

BROWN MAPLE • RED OAK • QSWO • CHERRY • HARD MAPLE • HICKORY • RUSTIC CHERRY • RUSTIC HICKORY • RUSTIC QSWO  
RUSTIC WALNUT • SAP CHERRY • WALNUT • WORMY MAPLE • PLAIN SAWN WHITE OAK • RUSTIC PLAIN SAWN WHITE OAK

## SHAPE OPTIONS



ROUND

## EDGE OPTIONS



MISSION



5/8" ROUNDROVER  
(STANDARD)



WATERFALL



BEVEL



CHAMFER



## TULSA CABINET

shown in Rough Sawn  
Wormy Maple with  
PCL Weathered  
Treebark 10 sheen top  
and PCL Weathered  
Tusk 10 sheen base.  
Shown with FN Chairs  
Houston Bar Stools.

*(Note: Actual color  
may vary from picture)*





# TULSA CABINET

- 1¾" Rectangle top with Mission edge standard
- Cabinet base is 36" w x 25" d (no options on cabinet size)
- Standard with 3 drawers and sliding door with adjustable shelves (no options)
- Undermount soft-close drawer slides
- 36" high standard also available 42" high
- Floor to bottom of skirt 32½"
- Shown in Rough Sawn Wormy Maple with PCL Weathered Treebark 10 sheen top and PCL Weathered Tusk 10 sheen base  
*(Note: Actual color may vary from picture)*



## SIZES

42" X 60"	Up to 2-16" leaves	Stores 1 unskirted leaf
42" X 72"	Up to 2-16" leaves	Stores 1 unskirted leaf
48" X 60"	Up to 2-16" leaves	Stores 1 leaf with skirts
48" X 72"	Up to 2-16" leaves	Stores 1 leaf with skirts

## SPECIES

ROUGH SAWN WORMY MAPLE

## SHAPE OPTIONS



RECTANGLE

## EDGE OPTIONS



MISSION

# VANCOUVER TRESTLE

- 1" Bow End top with Mission edge standard
- Base standard as shown with levelers
- Floor to bottom of skirt 26½"
- Available in 36" height



## SIZES

42" X 60"	Up to 4-12" leaves or 1-18" butterfly leaf	Stores up to 4 unskirted leaves
42" X 66"	Up to 4-12" leaves or up to 2-18" butterfly leaves	Stores up to 4 leaves, 2 w/skirts & 2 w/o
42" X 72"	Up to 4-12" leaves or up to 2-18" butterfly leaves	Stores up to 4 leaves, 2 w/skirts & 2 w/o
48" X 60"	Up to 4-12" leaves or 1-18" butterfly leaf	Stores up to 4 leaves, 2 w/skirts & 2 w/o
48" X 66"	Up to 4-12" leaves or up to 2-18" butterfly leaves	Stores up to 4 unskirted leaves
48" X 72"	Up to 4-12" leaves or up to 2-18" butterfly leaves	Stores up to 4 unskirted leaves

Available 84" long, N/A with butterfly leaves. See pricelist for details.

For more than 4 leaves, see page 35

## SPECIES

BROWN MAPLE • RED OAK • QSWO • CHERRY • HARD MAPLE • HICKORY • RUSTIC CHERRY • RUSTIC HICKORY • RUSTIC QSWO  
RUSTIC WALNUT • SAP CHERRY • WALNUT • WORMY MAPLE • PLAIN SAWN WHITE OAK • RUSTIC PLAIN SAWN WHITE OAK

## SHAPE OPTIONS



Changing the top shape may affect self-store ability

## EDGE OPTIONS



## WELLINGTON TRESTLE

shown in Brown Maple  
with a 3" edge band top  
in PCL Worn Spice  
Med. Distressed  
10 sheen stain. Shown  
with FN Chairs  
Ramsey chairs.

*(Note: Actual color  
may vary from picture)*





# WELLINGTON TRESTLE

- 3" edge band top with random grooves and breadboard ends (no grooves in leaves)
- 1/4" Roundover edge and corners
- Ball bearing slides are standard
- Base standard as shown with levelers
- Available in 36" height



## SIZES

42" X 88" Solid top or 2-16" leaves  
48" X 88" Solid top or 2-16" leaves

Self-store not available  
Self-store not available

## SPECIES

BROWN MAPLE • RED OAK • QSWO • CHERRY • RUSTIC CHERRY • RUSTIC QSWO • RUSTIC WALNUT  
SAP CHERRY • WALNUT • WORMY MAPLE • PLAIN SAWN WHITE OAK • RUSTIC PLAIN SAWN WHITE OAK  
*N/A IN GREY ELM, HARD MAPLE, HICKORY, RUSTIC HICKORY*

## SHAPE OPTIONS



1/4" RADIUS  
CORNER

## EDGE OPTIONS



1/4" ROUNDOVER

# WESTIN SINGLE

- 1¼" Round top with Mission edge standard
- Base standard as shown with levelers
- Not available in pub height
- Quarter Sawn White Oak tables will have regular White Oak base
- Floor to bottom of skirt 26½"



## SIZES

48" X 48" Round	Up to 2-12" leaves
54" X 54" Round	Up to 2-12" leaves
60" X 60" Round	Up to 2-12" leaves
72" X 72" Round	Solid top only

## SPECIES

BROWN MAPLE • RED OAK • QSWO • CHERRY • RUSTIC CHERRY • RUSTIC QSWO • RUSTIC WALNUT  
SAP CHERRY • WALNUT • WORMY MAPLE • PLAIN SAWN WHITE OAK • RUSTIC PLAIN SAWN WHITE OAK  
*N/A IN GREY ELM, HARD MAPLE, HICKORY, RUSTIC HICKORY*

## SHAPE OPTIONS



ROUND

## EDGE OPTIONS



MISSION  
(STANDARD)



5/8" ROUNDOVER



WATERFALL



BEVEL



CHAMFER



# Home of West Point Woodworking, LLC



# West Point

WOODWORKING

