



2026

FOR YOUR HOME.
FOR YOUR OFFICE.
FOR YOUR LIFE.

FORKS VALLEY WOODWORKING





BEAUTIFUL, DURABLE & VERSATILE

Each style in the Forks Valley collections is unique in its own way and each decorator has many styles from which to choose depending on the effect desired. When reviewing our offerings, please remember that the choice of woods... oak, cherry, brown maple, hickory or quartersawn white oak... enhances the versatility of each style so rustic pieces or more modern pieces can blend well with most any room decor.

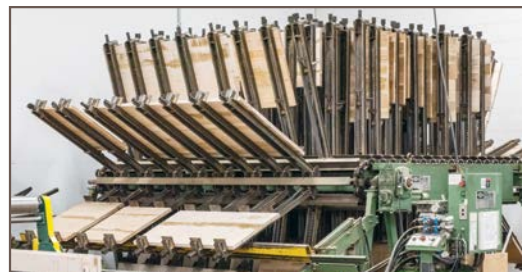
TABLE OF CONTENTS

- Occasionals..... 52
- Media Stands, Cabinets & Consoles 90
- Wall Units..... 112
- Corner Media Consoles & Hutches 128
- Bookcases & Stereo Cabinets 133
- Home Office & Business Furnishings 151
- Glass, Mullions & Hardware Options 210
- Dimensional Details 213
- Warranty inside back cover

Forks Valley Woodworking respectfully reserves the right to make changes at any time to prices, materials, specifications, hardware, colors/finishes, models and to discontinue models without notice or obligation. Color reproductions are as close as photographic and print reproduction will allow. All woods and finishes show some degree of variation due to the natural characteristics of wood.



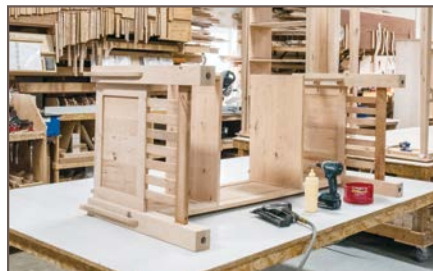
Fine furniture is only as good as the wood used to build it. At Forks Valley, we only accept the highest grade North American hardwoods, painstakingly selected for beauty, strength and straightness. Boards are cut to size, color-sorted and grain-matched before being bonded together with a permanent furniture glue to create extremely durable tops and sides for our furniture.



No automated assembly lines. No mass production. Our furniture is hand-constructed by experienced craftsmen specifically trained in Forks Valley manufacturing methods. We use specialized equipment to produce uniform raised panel doors and time-tested joinery methods – mortise & tenon, dovetail, mitered, tongue & groove – for solid quality through and through.



We plane and sand then sand again using a combination of careful machine and meticulous hand sanding. This attention to detail is vital to giving each piece a smooth, silky surface ready for application of the perfect custom finish.



Haste is never part of our process. There is no rushing a work of art destined to be a lasting reflection of your lifestyle and values. The final finish is trusted only to a master craftsman who skillfully applies the stain to ensure a smooth, even coat. In the last step of the manufacturing process, a protective varnish gives the piece a lustrous and tough surface that resists damage caused by normal use.



Before any Forks Valley furniture leaves our workshop, it undergoes a rigorous all-over inspection. If the smallest imperfection in wood, finish, mechanics or hardware is found, the problem is resolved and the piece goes through the entire inspection process once more. The final result is heirloom quality furniture, each piece unique and admired for generations to come.

Artesa Collection

The elegantly rugged look of the Artesa style adds character to any room and fits as easily into a chic, modern condo as in a rustic log home. With arches, corbels and strongly tapered legs, Artesa furniture inspires compliments from all who see it.

Occasionals	54-55
Media Stands	92
Wall Units	114
Corner Media Consoles / Hutches	130-131
Bookcases	134, 145, 147
Home Office	154, 156-161



COLLECTIONS



Artesa

COLLECTIONS



FVET-A
End Table



FVCS-A
Chair Side End Table



FVCT-A
Coffee Table



FVCT-A-LT
Lift-Top Coffee Table



FVST-A
Sofa Table



FVCT-38R-A
Round Coffee Table



FVCT-A-GT
Glass-Top Coffee Table



FVET-A-DWR
End Table w/Drawer



FVCT-A-DWR
Coffee Table w/Drawer



FVST-A-DWR
Sofa Table w/Drawers



FVE-26-A
Media Stand



FVE-10-A
Media Stand



FVE-060-A-BP
Media Stand



FVE-3672-A-FP
Media Stand with fireplace



FVE-3060-A
Corner Media Console



FVE-053-A-BP
Corner Media Console



FVE-193-A
3-Piece Wall Unit



FVE-191-A
Wall Unit (Center Unit Only)



FVE-053-A
2-Piece Corner Media Console w/Hutch

Artesa



FVB-011-A-6ft
72" Bookcase



FVB-5466-A
66" Bookcase



FVBR-4DR-A
Barrister Bookcase



FVB-012-A-6ft
72" Double Bookcase



FVD-2849-A
Desk



FVD-2654-A
Writer's Desk



FVD-3365-A
Curved Top Desk (only
finished back)



FVB-010-A
80" Bookcase



FVD-7872L-A
L Desk



FVD-3371-A-S/S
Sit-to-Stand Desk
finished back



FVD-7878L-A
L Desk (only)
2-piece desk base

FVD-7878L-HT-A
L Desk
3-piece desk
base & hutch



FVD-2865-A
Desk (only)
unfinished
back

FVD-2865-HT-A
2-Piece Desk & Hutch Top

Artesa



FVBB-2590-HT-A
Backbar
4-piece base & hutch



FVBB-2590-A
Backbar (1-piece base)



FVF-2DWR-A
2-Drawer File Cabinet
unfinished back



FVF-2DWR-A-F
2-Drawer File Cabinet
finished back



FVL-2144-HT-A
2-piece Legal File
Credenza with bookcase



FVL-2144-A
Legal File Credenza



FVLC-063-A
Legal File Credenza

Atlantic Collection

Bookcases	135
Home Office	162



FVB-344-AL-7FT
Bookcase



FVB-340-AL-6FT
Bookcase



FVD-469-AL
Desk
unfinished back



FVD-460-AL
Desk
unfinished back



FVD-470-AL
Desk
finished back

Boulder Creek Collection

Gently curved legs, black wood inlays, and arched skirts distinguish the Boulder Creek collection. This contemporary look adds a touch of warmth and classic style to any entertainment or living room.

Hand made by skilled Amish craftsmen, Boulder Creek furniture is available in a choice of sustainably harvested hardwoods.

Occasionals	56-57
Media Stands	93-94
Wall Units	115
Corner Media Consoles / Hutches	130-131
Bookcases	136,145,147
Home Office	154,163-171



Boulder Creek



FVCT-BC
Coffee table w/Drawer



FVET-22R-BC
Round End Table



FVCT-38R-BC
Round Coffee Table



FVET-BC
End Table



FWWT-BC
Wedge Table



FVCT-BC-LT
Lift-Top Coffee Table



FVCT-BC-EN
Enclosed Coffee Table



FVST-BC-EN
Enclosed Sofa Table



FVET-BC-EN
Enclosed End Table



FVCS-BC
Chair Side End Table



FVCT-BC-EN-LT
Enclosed Lift-top Coffee Table



FVST-BC
Sofa Table



FVE-032-BC-BP
Media Stand



FVE-060-BC36
Media Stand



FVE-048-BC
Media Stand



FVE-060-BC-BP
Media Stand



FVE-25-BC
Media Stand



FVE-072-BC-BP
Media Stand



FVE-26-BC
Media Stand



FVE-41-BC
Media Stand



FVE-049-BC
6-Piece Wall Unit with Adj. Bridge



FVE-2956-BC
Corner Media Console



FVE-053-BC-BP
Corner Media Console



FVE-053-BC
2-Piece Corner Media Console
with Hutch

Boulder Creek



FVB-011-BC-6ft
72" Bookcase



FVB-010-BC
80" Bookcase



FVB-011-BC-5ft
60" Bookcase



FVD-2654-BC
Writer's Desk



FVD-420-BC
Writer's Desk



FVBR-4DR-BC
Barrister Bookcase



FVB-012-BC-6ft
Double Bookcase



FVD-3371-BC-S/S
Sit-to-Stand Desk



FVD-2849-BC
Desk
FVDH-600-BC
Hutch



FVD-7882L-BC-S/S
Sit-to-Stand L Desk

Boulder Creek



FVD-2865-DT-BC
2-piece Desk & Topper



FVF-2DWR-BC-F
2-Drawer File Cabinet
finished back



FVF-2DWR-BC
2-Drawer File Cabinet
unfinished back



FVD-3365-BC
Desk (only)
finished back



FVD-7878L-BC
L Desk
2-piece desk base



FVD-6660L-BC
2-piece L Desk



FVLC-063-BC
Legal File Credenza



FVD-7878L-HT-BC
L Desk
3-piece desk base & hutch



FVD-7872L-BC
2-piece L Desk



FVD-2865-BC
Desk (only)
unfinished
back

FVD-2865-HT-BC
2-Piece Base & Hutch Top



FVBB-2590-HT-BC
Backbar
4-pc. base & hutch



FVL-2144-BC
Legal File Credenza



FVBB-2590-BC
Backbar 1-piece base



FVL-2144-HT-BC
2-piece Legal File Credenza
with bookcase

Bridger Mission Collection

Versatile arts & crafts styling with flowing
corbels accenting simple lines.

Bookcases 137,148
Home Office 172



Bridger Mission



FVB-010-BM
Bookcase



FVB-011-BM-5ft
Bookcase



FVB-011-BM-4ft
Bookcase



FVB-012-BM-6ft
Double Bookcase



FVD-3049-BM
Desk



FVD-3065-BM
Desk

Carlisle Collection

Conservatively avant garde with raised door inserts and softly splayed legs.

Occasionals58-59

Media Stands 95



FVCS-CR
Chair Side End Table



FVET-CR
End Table



FVCT-CR
Coffee Table



FVCT-CR-LT
Lift-Top Coffee Table



FVST-CR
Sofa Table



FVCT-CR-EN
Enclosed Coffee Table



FVCT-CR-EN-LT
Enclosed Lift-Top Coffee Table



FVST-CR-EN
Enclosed Sofa Table



FVET-CR-EN
Enclosed End Table



FVE-3263-CR
Media Stand



FVE-072-CR
Media Stand

CENTENNIAL Collection

Arts and crafts mission characteristics are accented by the rich grains of any of four popular hardwoods. In all Centennial pieces, storage is a key feature. Imagine the artful presence of this collection in any room where family and friends gather.

Occasionals	60-61
Media Stands / Entertainment Center	96, 110
Corner Media Consoles.....	130
Home Office	173



CENTENNIAL



FVET-CN
End Table



FVCS-CN
Chair Side End Table



FVCT-CN
Coffee Table w/Drawer



FVCT-CN-LT
Lift-Top Coffee Table



FVST-CN
Sofa Table



FVCT-CN-EN-LT
Enclosed Lift-Top Coffee Table



FVCT-CN-EN
Enclosed Coffee Table



FVST-CN-EN
Enclosed Sofa Table



FVET-CN-EN
Enclosed End Table



FVE-26-CN
Media Stand



FVE-031-CN
Media Stand



FVE-032-CN-BP
Media Stand



FVE-072-CN-BP
Media Stand



FVE-05-CN
Media Entertainment Center



FVD-7272L-HT-CN
L Desk
3-piece desk base & hutch



FVE-2956-CN
Corner Media Console



FVD-7272L-CN
L Desk
2-piece desk base

Colbran Collection

Colbran's tapered sides and exposed tenons provide it a unique blend of contemporary and traditional Mission styling. Its strength and durability make it a family-friendly choice that will be used and treasured for decades.

Occasionals	62-63
Media Stands	97
Wall Units	116
Bookcases	145
Home Office	174-175



Colbran



FVET-CB
End Table



FVCT-CB
Coffee Table



FVCT-CB-LT
Lift-Top Coffee Table



FVST-CB
Sofa Table



FVET-CB-EN
Enclosed End Table



FVCT-CB-EN
Enclosed Coffee Table



FVCT-CB-EN-LT
Enclosed Lift-Top Coffee Table



FVST-CB-EN
Enclosed Sofa Table



FVE-032-CB-BP
Media Stand



FVE-031-CB
Media Stand



FVE-072-CB-BP
Media Stand



FVE-193-CB
4-Piece Wall Unit



FVE-191-CB
2-Piece Wall Unit



FVBR-4DR-CB
Barrister Bookcase



FVD-2865-CB
Desk
unfinished back



FVD-3365-CB
Desk
finished back



FVD-2849-CB
Desk
unfinished back



FVF-2DWR-CB
2 Drawer
File Cabinet
unfinished back



FVF-2DWR-CB-F
2 Drawer
File Cabinet
finished back

Classic Collection

Raw hardwood's natural beauty transformed by artisans into treasured heirlooms.

Media Stands	97
Corner Media Consoles.....	130
Stereo Cabinets.....	150



FVE-024-C-XL
Media Stand
w/Optional Swivel



FVE-033-C
Corner Media Console



FVE-026-C
Stereo Cabinet

Craftsman Collection

Frank Lloyd Wright influences like leaded glass and mortise & tenon accents create environmental tranquility.

Bookcases.....	146
Home Office.....	154-155,176



FVD-3065-CM
Writer's Desk



FVD-2654-CM-S/S
Electric Sit-to-Stand Writer's Desk



FVBR-4DR-CM
Barrister Bookcase



FVD-2654-CM
Writer's Desk (no lift)

DOVER

Collection

Understated elegance is the hallmark of the Dover collection. Raised-look panels, radiused corners and tapered legs are just a few details that enhance the sleek, mid-century modern design of this popular style. For cozy family togetherness or hosting your most discerning guests, Dover furniture is at home in any space.

Occasionals	64
Media Stands	98
Bookcases	138
Home Office	177-179



DOVER



FVCS-D
Chair Side End Table



FVET-D
End Table



FVST-D
Sofa Table



FVCT-D
Coffee Table



FVE-10-D
Media Stand



FVE-26-D
Media Stand



FVB-011-D-5ft
Bookcase



FVB-011-D-6ft
Bookcase



FVB-010-D
Bookcase



FVD-2849-D
Desk



FVD-2865-D
Desk
unfinished back



FVD-3065-D
Desk
finished back



FVLC-675-D
Legal File Credenza



FVD-515-D
Desk Base
FVDH-620-D
Desk Hutch



FVD-515-D
Desk Base

Ensenada Collection

Ensenada's artistic profile adds an elegantly casual air to any room, inviting guests to enjoy the surroundings you've created and inspiring plenty of well-deserved compliments.

Occasionals	65-66
Media Stands	99-100
Wall Units	117-118
Bookcases	139, 148
Home Office	155, 180-183



Ensenada



FVCS-EN
Chair Side
End Table



FVWT-EN
Wedge Table



FVET-EN
End Table



FVET-22R-EN
Round End Table



FVCT-38R-EN
Round Coffee Table



FVCT-EN
Coffee Table with Drawer



FVCT-EN-LT
Lift-Top Coffee Table



FVST-EN
Sofa Table



FVET-EN-EN
Enclosed End Table



FVCT-EN-EN
Enclosed Coffee Table



FVST-EN-EN
Enclosed Sofa Table



FVCT-EN-EN-LT
Enclosed Lift-Top Coffee Table



FVE-3463-EN
Media Stand



FVE-072-EN
Media Stand



FVE-26-EN
Media Stand



FVE-3463-EN-FP
Media Stand with fireplace



FVE-058-EN
6-Piece Wall Unit with Adj. Bridge



FVE-85110-EN
6-Piece Wall Unit



FVE-40-EN
Media Stand



FVE-36110-EN
3-Piece Wall Unit

Ensenada



FVB-010-EN
80" Bookcase



FVB-011-EN-6ft
72" Bookcase



FVB-5466-EN
66" Bookcase



FVB-012-EN 6ft
Double Bookcase



FVD-3365-EN
Desk
finished back



FVD-2865-EN
Desk
unfinished back



FVD-2654-EN
Writer's Desk



FVD-6660L-EN
L Desk
2-piece desk base



FVD-2849-EN
Desk
unfinished back



FVD-7878L-EN
L Desk
2-piece
desk base



FVD-7878L-HT-EN
L Desk
3-piece desk base
& hutch



FVL-2144-EN
Legal File Credenza



FVF-2DWR-EN
2 Drawer File Cabinet
unfinished back



FVF-2DWR-EN-F
2 Drawer File Cabinet
finished back



FVLC-063-EN
Legal File Credenza

FINLAND Collection

Occasionals 67
Media Stands 101

Gracefully demure in style with gentle arches and clean, flowing lines.



FVET-FL-EN
Enclosed End Table



FVET-FL
End Table



FVCT-FL
Coffee Table w/Drawer



FVST-FL
Sofa Table



FVST-FL-EN
Enclosed Sofa Table



FVE-3463-FL
Media Stand



FVE-072-FL
Media Stand

Hoosier Heritage Collection

Traditionally timeless decorative feet and inset door arches create a sturdy classic look.

Wall Units 119
Bookcases 140, 149



FVE-049-HH
6-Piece Wall Unit
w/Adj. Bridge



FVB-012-HH-6ft
1-Piece Double Bookcase



FVB-010-HH
Bookcase



FVB-011-HH-5ft
Bookcase



FVB-011-HH-4ft
Bookcase

Grant Collection

Home Office ... 154-155, 184-186



FVD-2654-GR-S/S
Electric Sit-to-Stand Desk

Charmingly warm, solidly built Craftsman furniture with authentically duplicated lines and hardware.



FVD-2865-HT-GR
2-Piece Desk & Hutch

FVD-2865-GR
Desk
unfinished back



FVD-3365-GR
Desk
finished back



FVLC-063-GR
Legal File Credenza



FVD-2849-GR
Desk; unfinished back



FVD-7878L-HT-GR
L Desk
3-piece desk base & hutch



FVD-7878L-GR
L Desk
2-piece desk base



FVF-2DWR-GR-F
2 Drawer File Cabinet
finished back



FVF-2DWR-GR
2 Drawer File Cabinet
unfinished back

Hannah Collection

Meticulously crafted by artisan hands, the Hannah Collection's gracefully elegant design lends a contemporary look to your favorite living area. The subtle curves and simple styling blend seamlessly with other furniture in its space and are sure to be admired by anyone welcomed into your home.

Occasionals	68
Media Stands	101



Hannah



FVET-22R-HA
Round End Table



FVCT-38R-HA
Round Coffee Table



FVET-HA
End Table



FVCT-HA
Coffee Table



FVST-HA
Sofa Table



FVE-26-HA
Media Stand

HOUSTON

Collection

Metal barn door slides, distressed wood with rough sawn scars and natural marks of aging, antiqued pulls and planked doors give Houston the kind of warm character that says to your family and guests, "Sit down, relax, enjoy your stay."

Occasionals	69-71
Media Stands	102
Bookcases	141
Home Office	155, 187-189



HOUSTON

same look in smooth finish – see **Timbra** collection pgs 47-48



FVET-HT
End Table w/Drawer



FVCS-HT
Chair Side
End Table



FVWT-HT
Wedge Table



FVCT-HT
Coffee Table w/Drawer



FVST-HT
Sofa Table w/Drawer

FVCT-HT-LT
Lift-Top
Coffee Table



FVCT-HT-EN-LT
Enclosed Lift-Top
Coffee Table



FVET-HT-EN
Enclosed End Table



FVCT-HT-EN
Enclosed Coffee Table



FVST-HT-EN
Enclosed Sofa Table



FVET-S/W-HT
End Table



FVET-22RS/W-HT
Round End Table



FVCT-38RS/W-HT
Round Coffee Table



FVST-S/W-HT
Sofa Table



FVE-26-HT
Media Stand



FVE-3160-HT
Media Stand



FVE-40-HT
Media Stand



FVE-3172-HT
Media Stand



FVE-3172-HT-FP
Media Stand with fireplace

HOUSTON

same look in smooth finish – see **Timbra** collection pgs 47-48



FVLC-675-HT
Legal File Credenza



FVB-011-HT-5ft
Bookcase



FVB-011-HT-6ft
Bookcase



FVB-010-HT
Bookcase



FVD-535-HT
Desk
FVDH-621-HT
Hutch



FVD-535-HT
Desk



FVD-2865-HT
Desk; unfinished back



FVD-3365-HT
Desk; finished back

Kascade Collection

The Kascade Collection is identified by an applied slat side design cohesive with its Mission styling. This grouping subtly reflects the taste of its quality-conscious owner while creating an atmosphere of warm welcoming.

Occasionals	72-73
Media Stands	103
Home Office	190-192



Kascade



FVET-KS
End Table w/Drawer



FVCT-KS
Coffee Table w/Drawer



FVCT-KS-LT
Lift-Top Coffee Table



FVST-KS
Sofa Table w/Drawer



FVET-KS-EN
Enclosed End Table



FVCT-KS-EN
Enclosed Coffee Table



FVCT-KS-EN-LT
Enclosed Lift-Top Coffee Table



FVST-KS-EN
Enclosed Sofa Table



FVE-3663-KS-BP
Media Stand



FVE-072-KS-BP
Media Stand



FVD-3365-KS
Desk
finished back



FVF-2DWR-KS-F
2-Drawer File Cabinet
finished back



FVF-2DWR-KS
2-Drawer File Cabinet
unfinished back



FVD-2865-DT-KS
2-Piece Desk



FVD-2849-KS
Desk; unfinished back



FVLC-063-KS
Legal File Credenza



FVD-2865-KS
Desk; unfinished back

Lexington Collection

Visually captivating bevels, insets and applied architectural elements showcase woodworking skills.

Occasionals 77
Media Stands 103



FVET-LX
End Table w/Drawer



FVCT-LX
Coffee Table w/Drawer



FVST-LX
Sofa Table w/Drawer



FVET-LX-EN
Enclosed End Table



FVST-LX-EN
Enclosed Sofa Table



FVE-072-LX
Media Stand



FVE-3163-LX
Media Stand

LEXINGTON ARC Collection

Showcasing skilled Midwestern workmanship, contemporary standard hardware and Arts & Crafts-inspired leaded glass, Lexington Arc furniture adds stunning visual appeal to your favorite space. Your visitors will notice the unique details and admire your good taste.

Occasionals	74-76
Media Stands	104
Bookcases	142, 146
Home Office	193-195



LEXINGTON ARC



FVCS-LA
Chair Side End Table



FVET-LA
End Table



FVCT-LA
Coffee Table



FVST-LA
Sofa Table



FVCT-LA-LT
Lift-Top
Coffee Table



FVCT-LA-EN-LT
Enclosed Lift-Top
Coffee Table



FVET-LA-EN
Enclosed End Table



FVCT-LA-EN
Enclosed Coffee Table



FVST-LA-EN
Enclosed Sofa Table



FVET-2424TWLR-LA
Round End Table



FVCT-3820TWLR-LA
Round Coffee Table



FVET-22R-LA
Round End Table



FVCT-38R-LA
Round Coffee Table



FVE-41-LA
Media Stand



FVE-25-LA
Media Stand



FVE-26-LA
Media Stand



FVE-3163-LA
Media Stand



FVE-072-LA
Media Stand

LEXINGTON ARC



FVBR-4DR-LA
Barrister Bookcase



FVD-3065-LA
Desk
finished back



FVD-2865-LA
Desk
unfinished back



FVD-2849-LA
Desk
unfinished back



FVL-2144-LA
Legal File Credenza



FVD-3365-LA
Desk
finished back



FVF-2DWR-LA
2-Drawer File Cabinet
unfinished back



FVF-2DWR-LA-F
2-Drawer File Cabinet
finished back



FVD-7878L-LA
L Desk
2-piece desk base



FVLC-063-LA
Legal File Credenza



FVD-7878L-HT-LA
L Desk
3-piece desk base & hutch

London Collection

Turned baluster-look columns, multi-level raised panels, flexible configurations, plenty of storage and a variety of standard features are just a few of the London Office Collection's distinctive design elements. Built-in quality ensures many years of useful life and lasting beauty. This bold style keeps you grounded, focused and ready for your next project.

Home Office196-200



London



FVD-489-LD
Desk
unfinished back



FVD-490-LD
Desk
finished back



FVD-550-LD
2-piece Desk Base
FVDH-630-LD
Desk Hutch



FVD-550-LD
L Desk
2-piece desk base



FVBB-695-LD
Backbar
1-piece base



FVD-570-LD
3-piece Desk Base
FVDH-630-LD
Desk Hutch



FVBB-695-LD
Backbar
1-piece base
FVBBH-715-LD
3-piece Backbar Hutch

MANHATTAN MISSION Collection

Eclectically modern with dentil molding and geometric design details.

Wall Units120-121



FVE-193-MM
3-Piece Wall Unit



FVE-191-MM
1-Piece Wall Unit



FVE-049-MM
6-Piece Wall Unit w/Adj. Bridge

Marina Collection

Sleek and chic with vibes of the beach... in any living room, Marina occasional furniture fills your space with invitations of casual relaxation and mellow moods even if the nearest lake or ocean is miles away.

Occasionals	78
Media Stands	105
Bookcases	142
Home Office	201-202



Marina



FVCS-MA
Chair Side End Table



FVET-MA
End Table



FVCT-MA
Coffee Table



FVE-3463-MA
Media Stand



FVST-MA-EN
Enclosed
Sofa Table



FVE-072-MA
Media Stand



FVB-010-MA
Bookcase



FVB-011-MA-6ft
Bookcase



FVLC-063-MA
Legal File Credenza



FVD-2858-MA
Desk with
finished back



FVD-7878L-MA
L Desk
2-piece desk base



FVD-7878L-HT-MA
L Desk
3-piece desk base & hutch

Modesto Collection

Blocky tapered legs give the Modesto style an authoritative stance, while exposed joinery and tenons honor its old world roots. Flush inset doors and drawers create a simple, clean, look that allows Modesto furniture to meld with and complement any surroundings.

Occasionals	79-80
Media Stands	106
Wall Units	122-123
Corner Media Consoles.....	132
Bookcases	143, 146, 149



Modesto



FVCS-MD
Chair Side
End Table



FVET-MD
End Table



FVCT-MD
Coffee Table w/Drawer



FVCT-MD-LT
Lift-Top Coffee Table



FVST-MD
Sofa Table



FVET-MD-EN
Enclosed End Table



FVCT-MD-EN
Enclosed Coffee Table



FVCT-MD-EN-LT
Lift-Top Enclosed Coffee Table



FVST-MD-EN
Enclosed Sofa Table



FVE-032-MD-BP36
Media Stand



FVE-032-MD-BP
Media Stand



FVE-072-MD-BP
Media Stand



FVE-053-MD-BP
Corner Media Console



FVE-049-MD
6-Piece Wall Unit w/Adj. Bridge



FVE-051-MD
6-Piece Wall Unit w/Adj. Bridge
& Angled Side Cabinets



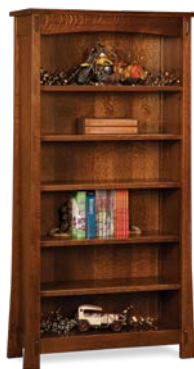
FVE-053-MD
2-Piece Corner Media
Console w/Hutch



FVBR-4DR-MD
Barrister Bookcase



FVB-010-MD
Bookcase



FVB-011-MD-6ft
Bookcase



FVB-5466-MD
Bookcase



FVB-012-MD-6ft
Double Bookcase (1-Piece Unit)

Old Classic Sleigh Collection

The Old Classic Sleigh style is characterized by rolling shapes and graceful curves on the front with flush-fit drawers and doors. It boldly states its presence in any room it occupies while surrounding its guests with warm acceptance.

Occasionals	81-82
Media Stands	107
Wall Units	124
Corner Media Consoles.....	132
Bookcases	144
Stereo Cabinets.....	150



Old Classic Sleigh



FVET-OCS
End Table



FVCT-OCS
Coffee Table w/Drawer



FVCT-OCS-LT
Lift-Top Coffee Table



FVST-OCS
Sofa Table w/Optional Shelf



FVET-OCS-EN
Enclosed End Table



FVCT-OCS-EN
Enclosed Coffee Table



FVST-OCS-EN
Enclosed Sofa Table



FVE-043-OCS-BP
Media Stand



FVE-058-OCS
6-Piece Wall Unit w/Adj. Bridge



FVE-053-OCS
2-Piece Corner Media Console w/Hutch



FVE-072-OCS-BP
Media Stand



FVE-053-OCS-BP
Corner Media Console



FVB-011-OCS-5ft
Bookcase



FVB-011-OCS-6ft
Bookcase



FVB-010-OCS
Bookcase



FVE-026-OCS
Stereo Cabinet

SARATOGA

Collection

Its distinctive curves, deep beveled edges and skillfully routed accents will initially draw your attention, but look closer...there are so many more treasures to be discovered. Saratoga is the perfect blend of modern chic and old world craftsmanship.

Occasionals	83
Media Stands	107
Home Office	155, 203-205



SARATOGA



FVET-24R-ST
Round End Table



FVCT-38R-ST
Coffee Table



FVST-ST
Sofa Table



FVE-3474-ST
Media Stand



FVD-2654-ST
Writer's Desk



FVD-3068-ST
Desk
finished back



FVBB-2074-HT-ST
2-Piece Back Bar & Hutch Top



FVD-3367-ST
Desk
finished back

FVBB-2074-ST
Back Bar
base only

Sierra Collection

Pronounced bowed legs gracefully ground each Sierra piece and flow upward to solid hardwood tops with chamfered edges. This versatile style blends well with any décor, yet stands out with its beautifully artistic elegance.

Occasionals	84
Media Stands	107



PARIS Collection

Home office 155, 206



FVD-430-PR
Electric Sit-to-Stand
Writer's Desk



Sierra



FVET-22R-SR
Round End Table



FVET-24R-SR
Round End Table



FVCT-38R-SR
Coffee Table



FVCT-38RGT-SR
Glass-Top Coffee Table



FVST-SR
Sofa Table



FVET-SR
End Table



FVE-3463-SR
Media Stand

TIMBRA

Collection

If you want your furniture to show your warm hospitality, the rustic charm of Timbra offers a friendly "Welcome to our home" to all who enter. Whether its surroundings are contemporary, traditional or industrial, it's right at home.

Occasionals	85-86
Media Stands.....	108
Wall Units	125-126
Home Office	206



TIMBRA

same look in rough sawn brown maple – see **Houston** collection pgs 25-27



FVET-TB
End Table



FVCS-TB
Chair Side
End Table



FVCT-TB
Coffee Table



FVST-TB
Sofa Table



FVET-TB-LET
End Table
with live edge top



FVCS-TB-LET
Chair Side End Table
with live edge top



FVCT-TB-LET
Coffee Table
with live edge top



FVST-TB-LET
Sofa Table
with live edge top



FVCT-TB-OWE
Coffee Table
with Ocean Wave Edge



FVE-3160-TB
Media Stand



FVE-3160-TB-LET
Media Stand
with live edge top



FVE-3172-TB
Media Stand



FVD-3365-TB-LET
Desk with finished back
and live edge top



FVE-36110-TB
3pc Base Unit



FVE-85130-TB
Wall Unit



FVE-85110-TB
Wall Unit

Victorian Collection

What do you want your workspace to say about you? That quality is a priority to you? That you sweat the details? That the style best suited to your taste is simple yet stately? If so, the Victorian Wrap-Around Desk is the perfect choice for your home or business office.

Wall Units 127
Home Office 207-209



Venhaus Collection



FVET-VH
End Table



FVST-VH
Sofa Table



FVCT-VH
Coffee Table

Occasionals 87

Victorian Collection

FVE-193-VS
3-Piece Wall Unit



FVE-191-VS
Center Only



FVD-2865-VS
Desk
unfinished back



FVD-3365-VS
Desk
finished back



FVD-7878L-VS
L Desk
2-piece desk base



FVD-7878L-HT-VS
3pc desk base & hutch



FVD-9678U-HT-VS
4-Piece Desk

WEST *Lake* Collection

Symmetrically pleasing with elements like rope trim, inset drawer fronts, and soft curves.

Occasionals 88-89
Media Stands 109



FVET-WL
End Table w/Drawer



FVST-WL
Sofa Table w/Drawer



FVCT-WL-LT
Lift-Top Coffee Table



FVCS-WL
Chair Side End Table



FVET-WL-EN
Enclosed End Table



FVST-WL-EN
Enclosed Sofa Table



FVCT-WL
Coffee Table w/Drawer



FVE-032-WL-BP
Media Stand



FVE-031-WL
Media Stand

FORKS VALLEY WOODWORKING

Better Because ...



STANDARDS FOR OCCASIONALS



5/8" thick dovetailed, full extension, 3/4" deep functional drawers on occasional pieces



Soft close (concealed hinge) doors



Leg levelers on all legs for easy in home leveling



Solid hardwood sides and tops on enclosed occasional pieces



Fully adjustable shelf in enclosed sofa tables



Lift-top coffee tables offer 3/4" deep recessed storage area under tops and counter weight balance. Lift top extends 13/4" and 8 3/4" up

OPTIONS FOR OCCASIONALS



Change standard top to 1 1/4" thick Live Edge top on any occasional; add code **LET** after standard product code.

Change standard top to Ocean Wave Edge top on any occasional; add code **OWE** after standard product code.



Security tray (9" w x 13" d x 2 1/8" h) on any open or enclosed end table, keeps standard drawer; add **SCTY** after standard product code. Lock for top also available (must specify).



Solid adjustable shelf in open sofa tables



Power station on any occasional piece, in back, underneath top **PB2-2U**

Occasionals

From a tasteful accent table to an eye-catching storage solution or display table, Forks Valley has handcrafted the perfect occasional for every space and style...from rustic, to Arts & Crafts, to chic and modern. With so many wood and finish options, each table becomes a customized masterpiece.



OCCASIONALS

Artesa Occasionals

Standard Features

A	B	C	D	E	F	
•	•	•	•	•	•	1" Solid top
•	•	•	•	•	•	Solid, 4-sided tapered legs
				•		Recessed storage under top with counter weight
				•		Beveled, tempered glass top

Optional Features

A	B	C	D	E	F	
•	•					5" Wider, 5" Deeper, or 2" Higher
•						30" Square
			•			32", 38", 42", or 48" Square



C
QS White Oak · Michael's Cherry

FVST-A · sofa table
54" W x 17¾" D x 30¼" H



D
QS White Oak · Michael's Cherry

FVCT-A · coffee table
42" W x 24" D x 20" H



A
Rustic Cherry · Michael's Cherry

FVET-A · end table
22" W x 24" D x 24" H



E
Rustic Cherry · Michael's Cherry

FVCT-A-LT · lift-top coffee table
42" W x 24" D x 20" H · (top up 28¾" H)



B
Rustic Cherry · Michael's Cherry

FVCS-A
chair side end table
14" W x 24" D x 24" H



F
Cherry · Michael's Cherry

FVCT-A-GT
glass top coffee table
42" W x 24" D x 20" H

Artesa Occasionals

Standard Features

A	B	C	D	
•	•	•	•	1" Solid top
•	•	•	•	Solid, 4-sided tapered legs
•		•	•	Full extension drawers
•		•	•	Hardware = Wrought Iron drawer pull P-2 (shown)

Optional Features

A	B	C	D	
•		•	•	Blum, soft close undermount drawers
•				5" Wider, 5" Deeper, or 2" Higher
		•		32", 38", 42", or 48" Square




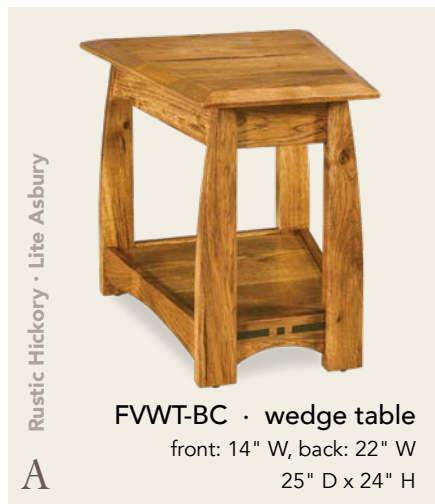
Boulder Creek Occasionals

Standard Features

A	B	C	D	E	F	G	
•	•	•	•	•	•	•	1" Solid top
	•		•				Full extension drawers
				•			Recessed storage under top with counter weight
	•		•				Hardware = 1" Black knob U

Optional Features

A	B	C	D	E	F	G	
•	•	•	•	•			Omit inlays (no up charge)
	•	•					5" Wider, 5" Deeper, or 2" Higher
	•						30" Square (no drawer)
			•				32", 38", 42", or 48" Square
	•		•				Blum, soft close undermount drawers
	•		•				Hardware = O-1 (no up charge) 




Boulder Creek Occasionals

Standard Features

A	B	C	D	E	
•	•	•	•	•	1" Solid top
•	•			•	Full extension drawers
•		•	•	•	Soft close (concealed hinge) doors
				•	Adj. shelf behind doors
•	•	•	•	•	Hardware = 1" Black knob U

Optional Features

A	B	C	D	E	
•	•	•	•	•	Omit inlays (no up charge)
•					5" Wider, 5" Deeper, or 2" Higher
		•			32", 38", 42", or 48" Square
•	•	•	•	•	Hardware = O-1 (no up charge) 



Carlisle Occasionals

Standard Features

A	B	C	D	E	
•	•	•	•	•	1" Solid top
•		•		•	Full-extension drawers
			•		Recessed storage under top with counter weight
•		•		•	Hardware = 1¼" Round Wood knob A-1 (shown)

Optional Features

A	B	C	D	E	
•		•		•	Blum, soft close undermount drawers
•	•				5" Wider, 5" Deeper, or 2" Higher
•					30" Square (no drawer)
		•			32", 38", 42", or 48" Square



Carlisle Occasionals

Standard Features

A	B	C	D	
•	•	•	•	1" Solid top
•	•	•	•	Soft close (concealed hinge) doors
•			•	Full-extension drawers
			•	Adj. shelf behind doors
•	•	•	•	Hardware = 1¼" Round Wood knob A-1 (shown)

Optional Features

A	B	C	D	
•				5" Wider, 5" Deeper, or 2" Higher
	•			32", 38", 42", or 48" Square



CENTENNIAL Occasionals

Standard Features

A	B	C	D	E	
•	•	•	•	•	1" Solid top
•		•		•	Full-extension drawers
			•		Recessed storage under top with counter weight
•		•		•	Hardware = 1" Black Square knob R (shown)

Optional Features

A	B	C	D	E	
•		•		•	Blum, soft close undermount drawers
•	•				5" Wider, 5" Deeper, or 2" Higher
•					30" Square (no drawer)
		•			32", 38", 42", or 48" Square



CENTENNIAL Occasionals

Standard Features

A	B	C	D	
•	•	•	•	1" Solid top
•	•	•	•	Soft close (concealed hinge) doors
•			•	Full-extension drawers
			•	Adj. shelf behind doors
•	•	•	•	Hardware = 1" Black Square knob R (shown)

Optional Features

A	B	C	D	
•				5" Wider, 5" Deeper, or 2" Higher
	•			32", 38", 42", or 48" Square



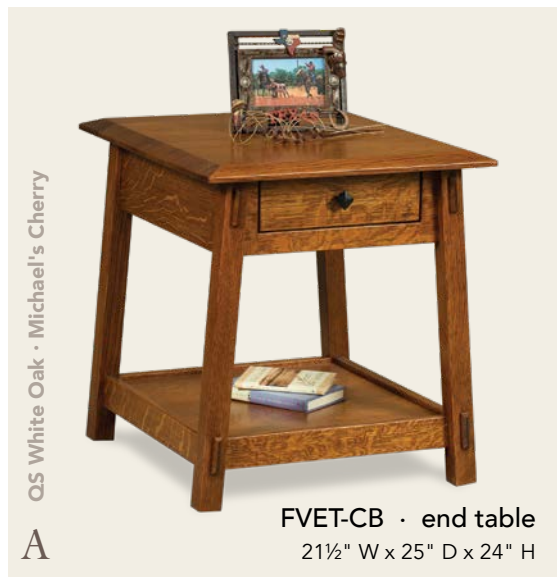
Colbran Occasionals

Standard Features

A	B	C	D	
•	•	•	•	1" Solid top
•	•		•	Full-extension drawers
		•		Recessed storage under top with counter weight
•	•		•	Hardware = 1" Black Square knob R (shown)

Optional Features

A	B	C	D	
•	•		•	Blum, soft close undermount drawers
•				Build as a Chair Side End Table, no drawer; 14" W. Item # FVCS-CB
•				5" Wider, 5" Deeper, or 2" Higher
•				30" Square (no drawer)
	•			32", 38", 42", or 48" Square



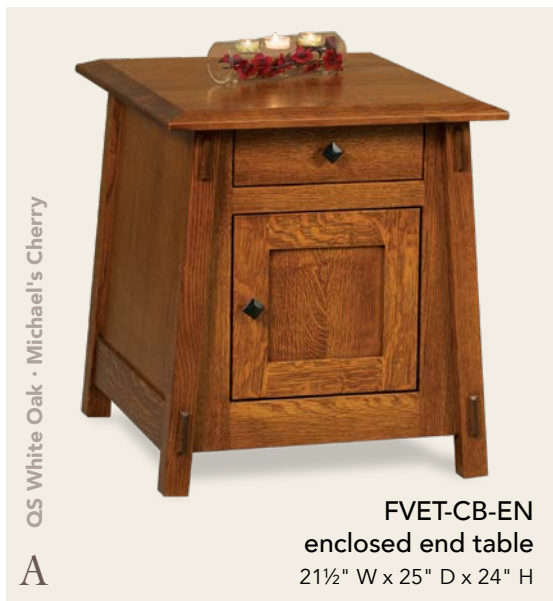
Colbran Occasionals

Standard Features

A	B	C	D	
•	•	•	•	1" Solid top
•	•	•	•	Soft close (concealed hinge) doors
•			•	Full-extension drawers
			•	Adj. shelf behind doors
•	•		•	Hardware = 1" Black Square knob R (shown)

Optional Features

A	B	C	D	
•				5" Wider, 5" Deeper, or 2" Higher
	•			32", 38", 42", or 48" Square




DOVER

Occasionals

Standard Features

A	B	C	D	
•		•	•	Full-extension drawers
•		•	•	Hardware = 1" Black knob U (shown)

Optional Features

A	B	C	D	
•	•			5" Wider, 5" Deeper, or 2" Higher
•				30" Square (no drawer)
		•		32", 38", 42", or 48" Square
•	•	•		Blum, soft close undermount drawers
•	•	•		Hardware = O-1  (no up charge)



Sap Cherry · Sealy
A

FVET-D
end table

18¼" W x 24" D x 23⅞" H



Sap Cherry · Sealy
B

FVCS-D
chair side end table

14" W x 24" D x 23⅞" H



Sap Cherry · Sealy
C

FVCT-D
coffee table

42¾" W x 24" D x 19⅞" H



Dover leg detail



Sap Cherry · Sealy
D

FVST-D · sofa table

42¾" W x 17¼" D x 30⅞" H

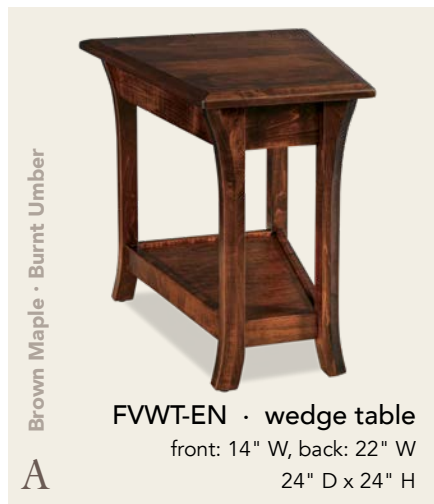
Ensenada Occasionals

Standard Features

A	B	C	D	E	F	G	
•	•	•	•	•	•	•	1" Solid top
	•		•				Full extension drawers
				•			Recessed storage under top with counter weight
	•		•				Hardware = Satin Nickel drawer pull T-2 (shown)

Optional Features

A	B	C	D	E	F	G	
	•	•					5" Wider, 5" Deeper, or 2" Higher
	•						30" Square (no drawer)
	•		•				Blum, soft close undermount drawers
	•		•				Hardware = 1-B (no up charge)



Ensenada Occasionals

Standard Features

A	B	C	D	E	
•	•	•	•	•	1" Solid top
•	•			•	Full extension drawers
•		•	•	•	Soft close (concealed hinge) doors
				•	Adj. shelf behind doors
•	•	•	•	•	Hardware = 1" Satin Nickel knob and drawer pull T-1, T-2 (shown)



Sap Cherry · Asbury Brown

B

FVST-EN · sofa table

45" W x 17½" D x 29" H



Sap Cherry · Asbury Brown

C

FVCT-EN-EN · enclosed coffee table

45" W x 24" D x 20" H

Optional Features

A	B	C	D	E	
•					5" Wider, 5" Deeper, or 2" Higher
		•			32", 38", 42", or 48" Square
•	•	•	•	•	Hardware = 1-A, 1-B (no up charge)



Sap Cherry · Asbury Brown

D

FVCT-EN-EN-LT
enclosed lift-top coffee table

45" W x 24" D x 20" H · (top up 28¾" H)



Sap Cherry · Asbury Brown

A

FVET-EN-EN
enclosed end table
20½" W x 24" D x 24" H



Sap Cherry · Asbury Brown

E

FVST-EN-EN · enclosed sofa table

45" W x 15" D x 29" H


FINLAND

Occasionals

Standard Features

A	B	C	D	E	
•	•	•	•	•	1" Solid top
•	•	•	•	•	Full-extension drawers
	•			•	Soft close (concealed hinge) doors
				•	Adj. shelf behind doors
•	•	•	•	•	Hardware = 1¼" Satin Nickel knob O-1 (shown)

Optional Features

A	B	C	D	E	
•	•	•	•	•	Blum, soft close undermount drawers
•	•				5" Wider, 5" Deeper, or 2" Higher
•					30" Square (no drawer)
•					Build as Chair Side End Table, no drawer; 14" W. Item # FVCS-FL
		•			32", 38", 42", or 48" Square
•	•	•	•	•	Hardware = U  (no up charge)



Hannah

Occasionals

Standard Features

A	B	C	D	E	
•	•	•	•	•	1" Solid top
•	•	•	•	•	Solid, curved base



Brown Maple · Old Museum
B

FVET-22R-HA
round end table
22" Round x 24" H



Brown Maple · Old Museum
C

FVCT-38R-HA
round coffee table
38" Round x 20" H



Hickory · Almond
D

FVCT-HA · coffee table
42" W x 24" D x 20" H



Brown Maple · Old Museum
E

FVST-HA
sofa table
54" W x 17¾" D x 31" H



Brown Maple · Old Museum
A

FVET-HA
end table
20" W x 24" D x 24" H

HOUSTON

Occasionals

Standard Features

A	B	C	D	E	F	
•	•	•	•	•	•	1 1/8" Solid top
		•	•			Full-extension drawers
•	•	•	•	•	•	Available in Rough Sawn Rustic Brown Maple or Rough Sawn Rustic White Oak ONLY
				•		Recessed storage under top with counter weight
		•	•		•	Hardware = Swedish Iron drawer pull 7-B (shown)

Optional Features

A	B	C	D	E	F	
	•	•				5" Wider, 5" Deeper, or 2" Higher
		•				30" Square
			•			32", 38", 42", or 48" Square
		•	•		•	Blum, soft close undermount drawers
•	•	•	•	•	•	Wooden pegs in legs



same look in smooth finish – see **Timbra** collection pgs 85-86



HOUSTON

Occasionals

Standard Features

A	B	C	D	
•	•	•	•	1 1/8" Solid top
•			•	Full-extension drawers
			•	Available in Rough Sawn Rustic Brown Maple or Rough Sawn Rustic White Oak ONLY
•	•		•	Hardware = Swedish Iron drawer pull 7-B (shown)

Optional Features

A	B	C	D	
•				5" Wider, 5" Deeper, or 2" Higher
	•			32", 38", 42", or 48" Square
•			•	Blum, soft close undermount drawers
•				Wooden pegs in legs



same look in smooth finish – see **Timbra** collection pgs 85-86



Rough Sawn Rustic Brown Maple · Vintage Antique w/#10 Low Sheen

A

FVET-HT-EN
enclosed end table
19 1/4" W x 24" D x 24 1/8" H



Rough Sawn Rustic Brown Maple · Tavern w/#10 Low Sheen

B

FVCT-HT-EN
enclosed coffee table
43 3/4" W x 24" D x 20 1/8" H



Rough Sawn Rustic Brown Maple · Tavern w/#10 Low Sheen

C

FVCT-HT-EN-LT
enclosed lift-top coffee table
43 3/4" W x 24" D x 20 1/8" H · (top up 28 1/8" H)



Rough Sawn Rustic Brown Maple · Vintage Antique w/#10 Low Sheen

D

FVST-HT-EN
enclosed sofa table
43 3/4" W x 14 1/2" D x 31 1/8" H

HOUSTON

Occasionals

Standard Features

A	B	C	D	
•	•	•	•	1 1/8" Solid top
•	•	•	•	Available in Rough Sawn Rustic Brown Maple or Rough Sawn Rustic White Oak ONLY
•	•	•	•	Black powder-coated steel base



Kascade Occasionals

Standard Features

A	B	C	D	
•	•	•	•	1" Solid top
•	•		•	Full-extension drawers
		•		Recessed storage under top with counter weight
•	•		•	Hardware = 1" Black Square knob R (shown)

Optional Features

A	B	C	D	
•	•		•	Blum, soft close undermount drawers
•				Build as a Chair Side End Table, no drawer; 14" W. Item # FVCS-KS
•				5" Wider, 5" Deeper, or 2" Higher
•				30" Square (no drawer)
	•			32", 38", 42", or 48" Square



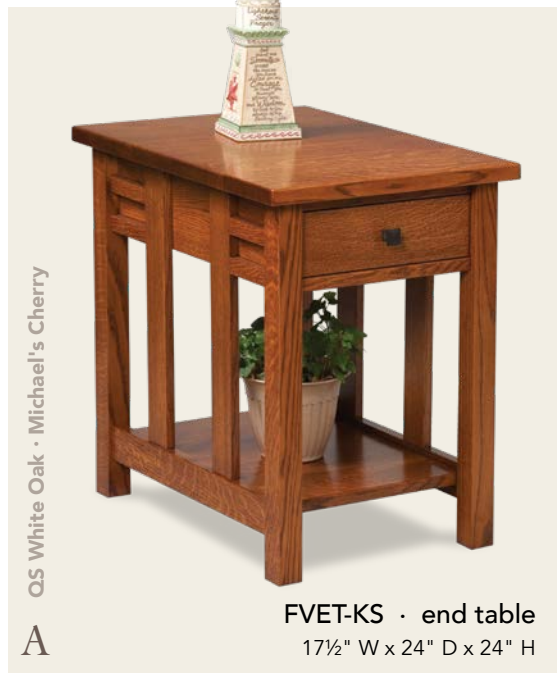
QS White Oak · Michael's Cherry
B

FVCT-KS · coffee table
42" W x 24" D x 20" H



QS White Oak · Golden Brown
C

FVCT-KS-LT · lift-top coffee table
42" W x 24" D x 20" H · (top up 28¾" H)



QS White Oak · Michael's Cherry
A

FVET-KS · end table
17½" W x 24" D x 24" H



QS White Oak · Michael's Cherry
D

FVST-KS · sofa table
42" W x 17" D x 30½" H

Kascade Occasionals

Standard Features

A	B	C	D	
•	•	•	•	1" Solid top
•	•	•	•	Soft close (concealed hinge) doors
•			•	Full-extension drawers
			•	Adj. shelf behind doors
•	•	•	•	Hardware = 1" Black Square knob R (shown)

Optional Features

A	B	C	D	
•				5" Wider, 5" Deeper, or 2" Higher
	•			32", 38", 42", or 48" Square



QS White Oak · Michael's Cherry
B

FVCT-KS-EN
enclosed coffee table
42" W x 24" D x 20" H



QS White Oak · Michael's Cherry
C

FVCT-KS-EN-LT
enclosed lift-top coffee table
42" W x 24" D x 20" H (top up 28¾" H)



QS White Oak · Michael's Cherry
A

FVET-KS-EN
enclosed end table
17½" W x 24" D x 24" H



QS White Oak · Michael's Cherry
D

FVST-KS-EN
enclosed sofa table
42" W x 14¾" D x 30½" H

LEXINGTON ARC

Occasionals

Standard Features

A	B	C	D	E	
•	•	•	•	•	1" Solid top
•	•	•	•	•	Solid, twisted legs
	•	•		•	Full-extension drawers
			•		Recessed storage under top with counter weight
	•	•		•	Hardware = Satin Nickel knob & drawer pull T-1, T-2 (shown)



Brown Maple · Burnt Umber
B



FVET-LA
end table
21¼" W x 24" D x 24" H



Brown Maple · Burnt Umber
C



FVCT-LA · coffee table
45¾" W x 24" D x 20" H

Optional Features

A	B	C	D	E	
	•	•		•	Blum, soft close undermount drawers
•	•				5" Wider, 5" Deeper, or 2" Higher
	•				30" Square (no drawer)
		•			32", 38", 42", or 48" Square
	•	•		•	Hardware = 1-A, 1-B (no up charge)



Brown Maple · Burnt Umber
D

FVCT-LA-LT · lift-top coffee table
45¾" W x 24" D x 20" H · (top up 28¾" H)



Brown Maple · Burnt Umber
A



FVCS-LA
chair side
end table
14" W x 24" D x 24" H



Brown Maple · Burnt Umber
E

FVST-LA · sofa table
45¾" W x 17½" D x 31" H

LEXINGTON ARC

Occasionals

Standard Features

A	B	C	D	
•	•	•	•	1" Solid top
•	•	•	•	Solid, twisted legs



A Brown Maple · Sandstone

FVET-22R-LA
round end table
22" Round x 24" H



B Brown Maple · Charwood (FC 50241)

FVET-2424TWLR-LA
round end table
24" Round x 24" H



C Brown Maple · Sandstone

FVCT-38R-LA
round coffee table
38" Round x 20" H



D Brown Maple · Charwood (FC 50241)

FVCT-3820TWLR-LA
round coffee table
38" Round x 20" H

LEXINGTON ARC

Occasionals

Standard Features

A	B	C	D	
•	•	•	•	1" Solid top
•	•	•	•	Soft close (concealed hinge) doors
•			•	Full-extension drawers
			•	Adj. shelf behind doors
•	•	•	•	Hardware = Satin Nickel knob & drawer pull T-1 , T-2 (shown)

Optional Features

A	B	C	D	
•			•	Blum, soft close undermount drawers
•				5" Wider, 5" Deeper, or 2" Higher
	•			32", 38", 42", or 48" Square
•	•	•	•	Hardware = 1-A , 1-B (no up charge)



FVET-LA-EN
enclosed end table
21¼" W x 24" D x 24" H



FVCT-LA-EN
enclosed coffee table
45¾" W x 24" D x 20" H




FVCT-LA-EN-LT
enclosed lift-top coffee table
45¾" W x 24" D x 20" H · (top up 28¾" H)




FVST-LA-EN
enclosed sofa table
45¾" W x 14¾" D x 31" H

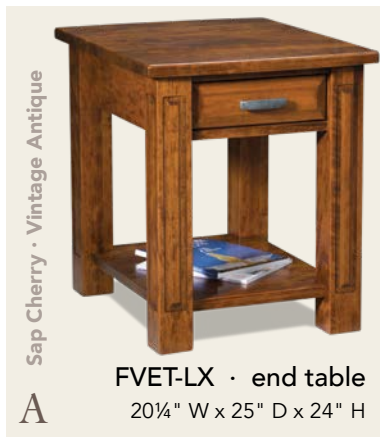
Lexington Occasionals

Standard Features

A	B	C	D	E	
•	•	•	•	•	1" Solid top with Boat Shape
					
•	•	•	•	•	Full-extension drawers
	•			•	Soft close (concealed hinge) doors
				•	Adj. shelf behind doors
•	•	•	•	•	Hardware = 1¼" Wrought Iron knob and Wrought Iron drawer pull W-1 , W-2 (shown)

Optional Features

A	B	C	D	E	
•	•	•	•	•	Blum, soft close undermount drawers
•	•				5" Wider, 5" Deeper, or 2" Higher
•					Build as Chair Side End Table, no drawer; 14" W. Item # FVCS-LX
•					30" Square (no drawer)
		•			32", 38", 42", or 48" Square
•	•	•	•	•	Hardware = 4-A , 4-B (no up charge)
					



Marina

Occasionals

Standard Features

A	B	C	D	
•	•	•	•	1" Solid tops and sides
•	•	•	•	Full-extension drawers
•	•	•	•	Locking mitered joints on all corners
			•	Adj. shelf behind doors on left side
•	•	•	•	Hardware = Satin Nickel knob and drawer pulls 10-A, 10-B (shown)



Optional Features

A	B	C	D	
•	•	•	•	Blum, soft close undermount drawers
•				5" Wider, 5" Deeper, or 2" Higher
•				30" Square (no drawer)
		•		32", 38", 42", or 48" Square with 1 drawer



Locking mitered corners



Modesto Occasionals

Standard Features

A	B	C	D	E	
•	•	•	•	•	1" Solid top
•		•		•	Full-extension drawers
			•		Recessed storage under top with counter weight
•	•		•	•	Hardware = 1" Black drawer pull L-2 (shown)

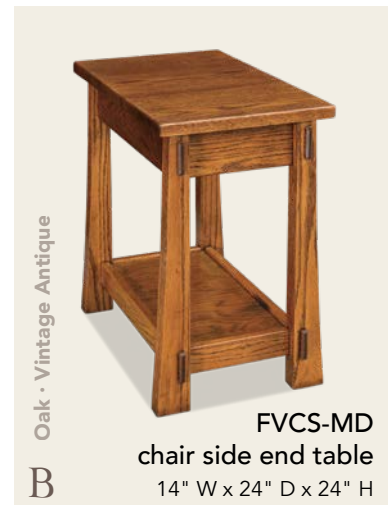
Optional Features

A	B	C	D	E	
•		•		•	Blum, soft close undermount drawers
•	•				5" Wider, 5" Deeper, or 2" Higher
•					30" Square (no drawer)
		•			32", 38", 42", or 48" Square
•	•	•	•	•	Hardware = M-2 (no up charge)



A

FVET-MD · end table
17½" W x 24" D x 24" H



B

FVCS-MD
chair side end table
14" W x 24" D x 24" H



C

FVCT-MD · coffee table
42" W x 24" D x 20" H



D

FVCT-MD-LT
lift-top coffee table
42" W x 24" D x 20" H · (top up 28¾" H)



E

FVST-MD · sofa table
42" W x 17" D x 29" H

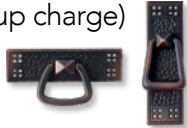
Modesto Occasionals

Standard Features

A	B	C	D	
•	•	•	•	1" Solid top
•	•	•	•	Soft close (concealed hinge) doors
•			•	Full-extension drawers
			•	Adj. shelf behind doors
•	•	•	•	Hardware = Black door and drawer pull L-1, L-2 (shown)

Optional Features

A	B	C	D	
•				5" Wider, 5" Deeper, or 2" Higher
	•			32", 38", 42", or 48" Square
•	•	•	•	Hardware = M-1, M-2 (no up charge)



Old Classic Sleigh Occasionals

Standard Features

A	B	C	D	
•	•	•	•	1" Solid top
•	•		•	Full-extension drawers
		•		Recessed storage under top with counter weight
•	•		•	Hardware = 1 1/8" Low profile round wood knob C-1 (shown)

Optional Features

A	B	C	D	
•				5" Wider, 5" Deeper, or 2" Higher
•				Build as a Chair Side End Table, no drawer; 14" W. Item # FVCS-OCS
•				30" Square (no drawer)
	•			32", 38", 42", or 48" Square
			•	Solid adj. shelf



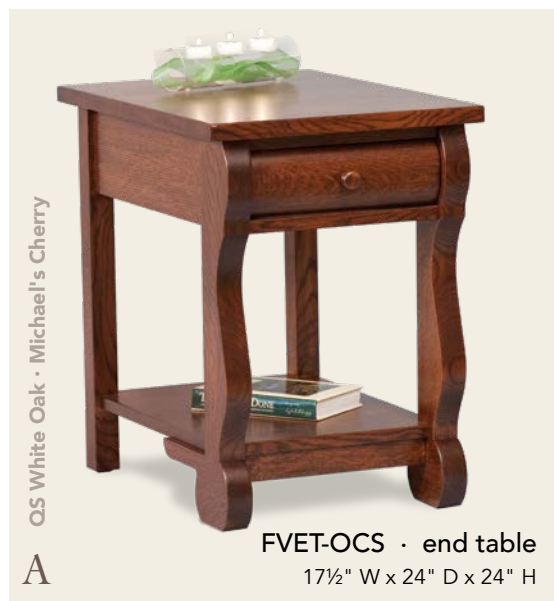
OS White Oak · Michael's Cherry
B

FVCT-OCS · coffee table
42" W x 24" D x 20" H



OS White Oak · Michael's Cherry
C

FVCT-OCS-LT
lift-top coffee table
42" W x 24" D x 20" H · (top up 28 3/4" H)



OS White Oak · Michael's Cherry
A

FVET-OCS · end table
17 1/2" W x 24" D x 24" H



OS White Oak · Michael's Cherry
D

FVST-OCS · sofa table
shown with optional shelf
42" W x 17" D x 30 1/2" H

Old Classic Sleigh Occasionals

Standard Features

A	B	C	
•	•	•	1" Solid top
•	•	•	Full extension drawers
•	•	•	Soft close (concealed hinge) doors
		•	Adj. shelf behind doors
•	•	•	Hardware = 1 1/8", 1 3/4" Low profile round wood knob C-1, C-2 (shown)

Optional Features

A	B	C	
•			5" Wider, 5" Deeper, or 2" Higher
	•		32", 38", 42", or 48" Square



OS White Oak · Michael's Cherry
A

FVET-OCS-EN
enclosed end table
17 1/2" W x 24" D x 24" H



OS White Oak · Michael's Cherry
B

FVCT-OCS-EN
enclosed coffee table
42" W x 24" D x 20" H



OS White Oak · Michael's Cherry
C

FVST-OCS-EN
enclosed sofa table
42" W x 16" D x 30 1/2" H


SARATOGA

Occasionals

Standard Features

A	B	C	
•	•	•	1" Solid top
•	•	•	Solid, curved base
		•	Full extension drawers
		•	Curved drawer fronts
		•	Hardware = Satin Nickel drawer pull I-2 (shown)

Optional Features

A	B	C	
		•	Blum, soft close undermount drawers
		•	Hardware = J-2  (no up charge)



Sierra Occasionals

Standard Features

A	B	C	D	E	F
•	•	•	•	•	•
					1" Solid top
					Full extension drawers
				•	Tempered glass top
				•	Hardware = 1¼" Satin Nickel round knob O-1 (shown)

Optional Features

A	B	C	D	E	F
•					
					5" Wider, 5" Deeper, or 2" Higher
					Blum, soft close undermount drawers



TIMBRA

Occasionals

Standard Features

A	B	C	D	E	
•	•	•	•	•	1" Solid top
•		•	•	•	Full-extension drawers
•		•	•	•	Hardware = Swedish Iron drawer pull 7-B (shown)

Optional Features

A	B	C	D	E	
•		•	•	•	Blum, soft close undermount drawers
•	•				5" Wider, 5" Deeper, or 2" Higher
•					30" Square (no drawer)
		•	•		32", 38", 42", or 48" Square
		•	•		Build as Lift-Top Coffee Table, no drawer; 43¾" W x 24" D x 20" H Add code LT
•	•	•		•	Change standard top to Ocean Wave Edge top; add code OWE

same look in rough sawn – see **Houston** collection pg 69-70



TIMBRA

Occasionals

Standard Features

A	B	C	D	
•	•	•	•	1" Solid top
•		•	•	Full-extension drawers
•		•	•	Hardware = Swedish Iron drawer pull 7-B (shown)

Optional Features

A	B	C	D	
•		•	•	Blum, soft close undermount drawers
•	•	•	•	1¼" thick live edge top (as shown), add code LET
•		•	•	Hardware = 13-B (no up charge)

same look in rough sawn – see **Houston** collection pg 69-70



Rustic Walnut · Bel Air

FVET-TB-LET
end table

19¼" W x 24" D x 24¼" H



Sap Cherry · Chestnut

FVCS-TB-LET
chair side end table

14" W x 24" D x 24¼" H



Rustic Walnut · Bel Air

FVCT-TB-LET
coffee table

43¾" W x 24" D x 20¼" H



Rustic Walnut · Bel Air

FVST-TB-LET · sofa table

43¾" W x 17½" D x 31¼" H

Venhaus

Occasionals

Standard Features

A	B	C	
•	•	•	1" Solid top
•	•	•	Solid, tapered legs



WEST *Lake* Occasionals

Standard Features

A	B	C	D	E	
•	•	•	•	•	1" Solid top
•		•		•	Full extension drawers
			•		Recessed storage under top with counter weight
•	•		•		Hardware = Weathered Nickel drawer pull F-2 (shown)

Optional Features

A	B	C	D	E	
•	•	•	•	•	Omit rope detail (no up charge)
•	•	•	•	•	Omit leg grooves (no up charge)
•		•		•	Blum, soft close undermount drawers
•	•				5" Wider, 5" Deeper, or 2" Higher
•					30" Square (no drawer)
		•			32", 38", 42", or 48" Square



FVET-WL
end table
22" W x 24" D x 24" H



FVCS-WL
chair side end table
14" W x 24" D x 24" H



FVCT-WL
coffee table
42" W x 24" D x 20" H



FVCT-WL-LT · lift-top coffee table
42" W x 24" D x 20" H · (top up 28¾" H)



FVST-WL
sofa table
42" W x 17" D x 29" H

WEST *Lake* Occasionals

Standard Features

A	B
•	• 1" Solid top
•	• Full extension drawers
•	• Soft close (concealed hinge) doors
	• Adj. shelf behind doors
•	• Hardware = Weathered Nickel drawer pull and knob F-1, F-2 (shown)

Optional Features

A	B
•	• Omit rope detail (no up charge)
•	• Omit leg grooves (no up charge)
•	• Blum, soft close undermount drawers
•	• 5" Wider, 5" Deeper, or 2" Higher



FORKS VALLEY WOODWORKING

Better Because ...



STANDARDS FOR MEDIA STANDS



Leg levelers on all legs for easy in home leveling



3/4" Raceway in back for easy wiring from shelf to shelf in all component areas.



Solid hardwood sides and tops
Adjustable shelves are made of top grade hardwood plywood with solid nosing the front
Optional solid shelves available upon request



5/8" Thick dovetailed, full-extension functional drawers

All shelves are fully adjustable.

OPTIONS FOR MEDIA STANDS



Change standard top to 1 1/4" thick Live Edge top on any media stand; add code **LET** after standard product code.



Change drawers to open area. When drawers are on the bottom, open area moves above doors (along the top).

Change standard top to Ocean Wave Edge top on any media stand; add code **OWE** after standard product code.



Change open area to drawers on any media stand.



Add 23" wide fireplace to any media stand; add code **FP** after any standard product code.



Add 4 1/4" high open sound bar area along top, on any stand; adds 6" overall height. Add code **SB** after standard product code



Blum – soft close undermount slides



4 Heavy-duty casters (600 lb. total capacity)

Media Stands & Entertainment Center

In widths from 48" to 84", and storage options including shelves, doors, drawers or combination configurations, there is a Forks Valley unit for all TVs, DVD players, game systems and accessories.



MEDIA STANDS &
ENTERTAINMENT CENTER

Artesa Media Stands

Standard Features

A	B	C	D	
•	•	•	•	Solid, 4-sided tapered legs
•		•		Soft close, concealed hinge doors with 1 adj. shelf and cord hole
	•			2 Adj. shelves with cord hole behind each door
		•		23" wide fireplace
		•	•	Smoked glass; 2 Adj. shelves behind glass doors
			•	Smooth sliding track for all doors with simple mechanism for easy removal
			•	1 Adj. shelf on left side; 2 hidden drawers with shelf behind right door
•	•	•	•	Hardware = Wrought Iron knob & drawer pull P-1 , P-2 (shown)

Optional Features

A	B	C	D	
•		•		Change open area to 2 drawers
	•			Add 2 wood or smoked glass doors to open area
		•		Add 4¼" H open sound bar area along top, adds 6" to overall height; add SB after standard product code
		•		Self-positioning, soft-closing sliding doors
		•		Change sliding doors to hinged doors (no up charge)

See pages 213-214 for dimensional details.




Boulder Creek Media Stands

Standard Features

A	B	C	D	
•	•	•	•	Curved, reversed panel sides
•	•	•	•	Soft close (concealed hinge) doors
•			•	1 Adj. shelf behind each door
	•	•		2 Adj. shelves behind wooden doors
			•	Smoked glass
•	•	•	•	Hardware = 1" Black knob U (shown)

Optional Features

A	B	C	D	
•	•	•	•	Omit inlays (no up charge)
		•	•	Blum, soft close undermount drawers
	•	•		Add 2 wood or smoked glass doors to open area
•				Change open area to 2 drawers
			•	Change drawers to open area above doors
•	•	•	•	Hardware = O-1  (no up charge)



Optional glass doors in center

See pages 213-214 for dimensional details.

Rustic QS White Oak · Earthtone

A



FVE-25-BC (shown)
71 $\frac{3}{8}$ " W x 15" D x 36" H

FVE-10-BC (3 doors)
62 $\frac{3}{8}$ " W x 15" D x 36" H

Also available:
FVE-40-BC (4 doors)
83 $\frac{3}{8}$ " W x 15" D x 36" H

Rustic Hickory · Almond

B



FVE-26-BC (shown)
71 $\frac{3}{8}$ " W x 15" D x 36" H

Also available:
FVE-11-BC
62 $\frac{3}{8}$ " W x 15" D x 36" H



Rustic QS White Oak · Michael's Cherry

C



FVE-41-BC
83 $\frac{3}{8}$ " W x 15" D x 36" H

QS White Oak · Michael's Cherry

D



FVE-032-BC-BP
63" W x 19" D x 29" H


Boulder Creek Media Stands

Standard Features

A	B	C	D	
•	•	•	•	Curved, reversed panel sides
•	•	•	•	Smoked glass
•	•	•	•	Smooth sliding track for all doors with simple mechanism for easy removal
•	•	•		2 Adj. shelves behind glass doors
	•	•		1 Adj. shelf on left side; 2 hidden drawers with shelf behind right door
			•	1 Adj. shelf behind each door
•	•	•	•	Hardware = 1" Black knob U (shown)



Optional Features

A	B	C	D	
•	•	•	•	Self-positioning, soft-closing sliding doors
•	•	•	•	Change sliding doors to hinged doors (no up charge)
•	•	•	•	Omit inlays (no up charge)
•	•	•		Add 4¼" H open sound bar area along top, adds 6" to overall height; add SB after standard product code
			•	Change open area to 2 drawers
•	•	•	•	Hardware = O-1  (no up charge)



Sliding Door



Hidden Drawers

See page 214 for dimensional details.

Carlisle

Media Stands

Standard Features

A	B	
•	•	1" Solid top
•	•	Soft close (concealed hinge) doors
•	•	1 Adj. shelf behind each door, with cord hole in back
•	•	Hardware = 1¼", 1½" round wood knob A-1, A-2 (shown)

Optional Features

A	B	
•	•	Change wood door to smoked glass (no up charge)
•		Change open area to 2 drawers
	•	Blum, soft close undermount drawers



See pages 214-215 for dimensional details.

CENTENNIAL Media Stands

Standard Features

A	B	C	D	
•	•	•	•	1" Solid top
•	•	•	•	Soft close (concealed hinge) doors
•	•		•	Smoked glass
•	•		•	1 Adj. shelf behind each door
		•		2 Adj. shelves and cord hole behind each door
•	•	•	•	Hardware = 1" Black square knob R (shown)

Optional Features

A	B	C	D	
•	•		•	Add 4¼" H open sound bar area along top, adds 6" to overall height; add SB after standard product code
•	•	•	•	Blum, soft close undermount drawers
•	•		•	Change drawers to open VCR area above doors
		•		Add 2 wood or glass doors to open area
•	•		•	Arts & Crafts mullion design MLAC must specify (no up charge)

See pages 213 and 215 for dimensional details.

QS White Oak · Michael's Cherry
A



FVE-031-CN
48" W x 18¼" D x 29" H

QS White Oak · Michael's Cherry
B



FVE-032-CN-BP
60" W x 18¼" D x 29" H

Red Oak · Cappuccino
C



Oak ONLY
FVE-26-CN
69½" W x 15" D x 36" H

QS White Oak · Golden Brown
D



FVE-072-CN-BP
72" W x 18¼" D x 29" H

Classic and Colbran Media Stands

Standard Features

A	B	C	D	
•	•	•	•	Soft close (concealed hinge) doors
•	•	•	•	1 Adj. shelf behind each door
		•	•	1" Solid top
		•	•	Solid tapered sides
		•	•	Smoked glass
•				Hardware = 1¼" Round wood knob A-1 (shown)
	•	•	•	Hardware = 1" Black square knob R (shown)

Optional Features

A	B	C	D	
•				Swivel top (34" W x 15¾" D)
•				Change wood doors to smoked glass (no up charge)
	•	•	•	Add 4¼" H open sound bar area along top, adds 6" to overall height; add SB after standard product code
	•	•	•	Blum, soft close undermount drawers
	•	•	•	Change drawers to open area above doors
	•	•	•	Arts & Crafts mullion design MLAC must specify (no up charge)



Arts & Crafts mullion design **MLAC**

See pages 215 and 218 for dimensional details.



Oak - Nutmeg
A

FVE-024-C-XL
Classic media stand with optional swivel
43" W x 17¾" D x 29¼" H



QS White Oak - Michael's Cherry
B

FVE-031-CB
Colbran media stand
49¼" W x 18¾" D x 29" H



QS White Oak - Michael's Cherry
C

FVE-032-CB-BP
Colbran media stand
61¼" W x 18¾" D x 29" H



QS White Oak - Golden Brown
D

FVE-072-CB-BP
Colbran media stand with optional mullion design **MLAC**
73¼" W x 18¾" D x 29" H


DOVER

Media Stands

Standard Features

A	B	
•	•	Soft close (concealed hinge) doors
•		1 Adj. shelf and cord hole behind each door
	•	2 Adj. shelf and cord hole behind each door
•	•	Hardware = 1" Black knob U (shown)

Optional Features

A	B	
•		Change open area to 2 drawers
	•	Blum, soft close undermount drawers
	•	Add 2 wood or smoked glass doors to open area
•	•	Hardware = 1¼" Satin Nickel knob O-1  (no up charge)



See page 213 for dimensional details.

Ensenada Media Stands

Standard Features

A	B	C	
•	•	•	Soft close (concealed hinge) doors
•	•		1 Adj. shelf and cord hole behind each door
		•	2 Adj. shelves and cord hole behind each door
•	•	•	Hardware = 1" Satin Nickel knob and drawer pull T-1 , T-2 (shown)



Optional Features

A	B	C	
•			Change open area to 2 drawers
	•	•	Blum, soft close undermount drawers
		•	Add 2 wood or smoked glass doors to open area
•	•	•	Hardware = 1-A , 1-B (no up charge)




See page 213 for dimensional details.

Ensenada Media Stands

Standard Features

A	B	C	
•	•		Soft close (concealed hinge) doors
		•	Smooth sliding track for all doors with simple mechanism for easy removal
•	•	•	1 Adj. shelf and cord hole behind each door
	•		23" wide fireplace
•	•	•	Hardware = 1" Satin Nickel knob and drawer pull T-1 , T-2 (shown)

Optional Features

A	B	C	
	•	•	Change open area to 2 drawers
•			Blum, soft close undermount drawers
•	•	•	Hardware = 1-A , 1-B  (no up charge)




See page 215 for dimensional details.

FINLAND and Hannah Media Stands

Standard Features

A	B	C	
•	•	•	Soft close (concealed hinge) doors
•	•		1 Adj. shelf and cord hole behind each door
		•	2 Adj. shelves and cord hole behind each door
•	•		Hardware = 1¼" Satin Nickel knob O-1 (shown)
		•	Hardware = 1¾" Satin Nickel knob and drawer pull 10-A, 10-B (shown)

Optional Features

A	B	C	
•	•		Change wood door to smoked glass (no up charge)
•			Change open area to 2 drawers
		•	Add 2 wood or glass doors to open area
		•	Blum, soft close undermount drawers
•	•		Hardware = U  (no up charge)

See pages 213 and 216
for dimensional details.

A Oak • Vintage Antique



FVE-3463-FL
63" W x 18¼" D x 34" H

B Brown Maple • Earthtone



FVE-072-FL
72" W x 18¼" D x 31" H

C Brown Maple • Old Museum



FVE-26-HA
71½" W x 17¼" D x 39¾" H

FVE-11-HA
62½" W x 17¼" D x 39¾" H

Also available:
FVE-41-EN
83½" W x 17¼" D x 39¾" H


HOUSTON

Media Stands

Standard Features

A	B	C	D	E	
•	•	•	•	•	Available in Rough Sawn Rustic Brown Maple or Rough Sawn Rustic White Oak ONLY
•		•	•	•	1 Adj. shelf in each compartment
	•				2 Adj. shelves and cord hole behind each door
•	•				Soft close (concealed hinge) doors
		•	•	•	Self-positioning, soft close sliding doors
		•			23" wide fireplace
•	•	•	•	•	Hardware = Swedish Iron door pull 7-B (shown)

Optional Features

A	B	C	D	E	
•	•	•	•	•	Wooden pegs in legs 
	•		•	•	Blum, soft close undermount drawers
•					Replace open area with 2 drawers
	•				Add 2 wood or smoke glass doors to open area

See pages 213 and 216 for dimensional details.



Kascade and Lexington

Media Stands

Standard Features

A	B	C	D	
•	•			Smoked glass
•	•			Smooth sliding track for all doors with simple mechanism for easy removal
•				1 Adj. shelf behind wood doors
•	•			2 Adj. shelves behind glass doors
		•		1 Adj. shelf on left side; 2 hidden drawers with shelf behind right door
		•	•	Soft close (concealed hinge) doors with 1 adj. shelf and cord hole behind each door
•	•			Hardware = 1" Black square knob R (shown)
		•	•	Hardware = 1¼" Wrought Iron knob and drawer pull W-1, W-2 (shown)

Optional Features

A	B	C	D	
•	•			Self-positioning, soft-closing sliding doors
•	•			Change sliding doors to hinged doors (no up charge)
•		•		Blum, soft close undermount drawers
		•	•	Change wood door to smoked glass (no up charge)
		•		Change open area to 2 drawers
		•	•	Hardware = 4-A, 4-B (no up charge)



A

FVE-3663-KS-BP

63" W x 19¾" D x 36" H



B

FVE-072-KS-BP

72" W x 19¾" D x 29" H



C

FVE-3163-LX

63" W x 19½" D x 31" H



D

FVE-072-LX

72¼" W x 19½" D x 31" H

See page 216-217 for dimensional details.

LEXINGTON ARC

Media Stands

Standard Features

A	B	C	D	E	
•	•	•	•	•	Soft close (concealed hinge) doors
•			•	•	1 Adj. shelf behind each door
	•	•			2 Adj. shelves and cord hole behind each door
•	•	•	•	•	Hardware = 1" Satin Nickel knob and drawer pull T-1, T-2 (shown)

Optional Features

A	B	C	D	E	
•	•	•	•	•	Change wood door to smoked glass (no up charge)
•				•	Change open area to 2 drawers
	•	•	•		Add 2 wood or smoked glass doors to open area
	•	•	•		Blum, soft close undermount drawers
•	•	•	•	•	Hardware = 1-A, 1-B (no up charge)



See pages 213 and 217 for dimensional details.

Brown Maple · Manchester

A



FVE-25-LA (shown)

72½" W x 15½" D x 36" H

FVE-10-LA (3 doors)
63½" W x 15½" D x 36" H

Also available:

FVE-40-LA (4 doors)
84½" W x 15½" D x 36" H

Brown Maple · Lace

B



FVE-26-LA (shown)

72½" W x 15½" D x 36" H

Also available:

FVE-11-LA
63½" W x 15½" D x 36" H



Brown Maple · Lace

C



FVE-41-LA

84½" W x 15½" D x 36" H

Sap Cherry · Earhtone

D



FVE-072-LA

72¼" W x 19¾" D x 31" H

Brown Maple · Burnt Umber

E



Brown Maple ONLY

FVE-3163-LA

63" W x 19¾" D x 31" H

Marina

Media Stands

Standard Features

A	B	
•	•	1" solid tops and sides
•	•	Locking mitered joints on corners
•	•	Soft close (concealed hinge) doors with 1 adj. shelf behind each door
•	•	Hardware = Satin Nickel knob and drawer pull 10-A, 10-B (shown)



Optional Features

A	B	
•	•	Blum, soft close undermount drawers
•	•	Change open area to drawers
•	•	Change wood door to smoked glass (no up charge)



Locking mitered corners

See page 217 for dimensional details.

Modesto

Media Stands

Standard Features

A	B	C	
•	•	•	1" Solid top
•	•	•	Soft close (concealed hinge) doors
•			2 Adj. shelves behind doors
	•	•	1 adj. shelf behind doors
•	•	•	Hardware = Black pull and drawer pull L-1, L-2 (shown)

Optional Features

A	B	C	
•	•	•	Add 4¼" H open sound bar area along top, adds 6" to overall height; add SB after standard product code
•	•	•	Blum, soft close undermount drawers
•	•	•	Change drawers to open area above doors (no upcharge)
•	•	•	Hardware = M-1, M-2 (no up charge)



FVE-032-MD-BP36
60" W x 18¼" D x 36" H



FVE-032-MD-BP
60" W x 18¼" D x 29" H



FVE-072-MD-BP
72" W x 18¼" D x 29" H

See page 215 for dimensional details.

Old Classic Sleigh

SARATOGA

and

Sierra

Media Stands



FVE-043-OCS-BP
Old Classic Sleigh media stand
60" W x 20¼" D x 30½" H



FVE-072-OCS-BP
Old Classic Sleigh media stand
72" W x 20¼" D x 30½" H



FVE-3474-ST
Saratoga media stand
74" W x 19¾" D x 34" H



FVE-3463-SR
Sierra media stand
63" W x 19" D x 34" H

Standard Features

A	B	C	D	
•	•	•	•	1" Solid top
			•	Smoked glass
•	•	•	•	Soft close (concealed hinge) doors
•	•		•	1 Adj. shelf behind each door
			•	Solid curved base, curved drawer fronts
			•	2 Adj. shelves behind each door
•	•			Hardware = 1⅛", 1¾" Low profile round wood knob C-1, C-2 (shown)
			•	Hardware = 1¼" Satin Nickel knob and drawer pull I-1, I-2 (shown)
			•	Hardware = 1¼" Satin Nickel knob O-1 (shown)

Optional Features

A	B	C	D	
•	•	•		Blum, soft close undermount drawers
•	•			Change drawers to open area above doors
•	•	•		Change wood door to smoked glass
			•	Change open area to 2 drawers
			•	Hardware = J-1, J-2 (no up charge)



See pages 217-218 for dimensional details.

TIMBRA

Media Stands

Standard Features

A	B	C	
•	•	•	1 Adj. shelf in each compartment
•	•	•	Self-positioning, soft close sliding doors
		•	1¼" thick Live edge tops
•	•	•	Hardware = Swedish Iron door pull 7-B (shown)



Optional Features

A	B	C	
•	•	•	Blum, soft close undermount drawers
•	•		1¼" thick live edge top, add code LET
	•		Add 23" W fireplace in center section (no drawer), code FVE-3172-TB-FP



See page 216 for dimensional layouts.

WEST *Lake* Media Stands

Standard Features

A	B	
•	•	1" Solid top
•	•	Mitered corners on doors and drawer fronts
•	•	Soft close (concealed hinge) doors
•	•	1 Adj. shelf behind each door
•	•	Hardware = Weathered Nickel drawer pull and knob F-1, F-2 (shown)



Optional Features

A	B	
•	•	Add 4¼" H open sound bar area along top, adds 6" to overall height; add SB after standard product code
•	•	Blum, soft close undermount drawers
•	•	Change drawers to open area above doors



See page 215 for dimensional details.

CENTENNIAL

Entertainment Center



OS White Oak · Michael's Cherry

FVE-05-CN

57¼" W x 19¾" D x 60" H
(45" wide TV area)

Standard Features

- Soft close (concealed hinge) doors
- Smoked glass
- Bifold pocket doors
- 1 Adj. shelf behind glass doors
- Hardware = 1" Black square knob **R** (shown)

Optional Features

- DVD drop box
- Omit bifold pocket doors (adds 7" to TV area width)

See page 218 for dimensional details.



FORKS VALLEY WOODWORKING

Better Because ...



STANDARDS FOR MEDIA WALL UNITS



Dimmable LED touch lighting on all lights (warm white)



Leg levelers on all legs for easy in home leveling.

OPTIONS FOR MEDIA WALL UNITS



Add 5" high sound bar compartment to wall unit consoles on **FVE-049, 051** (Adds 6 $\frac{3}{4}$ " height to console, must specify when ordering)



Add 23" wide fireplace to any media stand; add code **FP** after any standard product code.



On all FVE-049, 051, or 058 Wall Units: eliminate the bridge & shelf above TV and hanging back; make as a 3-piece unit. Add code **3PC** (ex. FVE-049-MD-45 $\frac{1}{2}$ -3PC)



Blum, soft close undermount slides



$\frac{3}{4}$ " Thick back in TV area to hang TV on for any wall unit



4 Heavy-duty casters (600 lb. total capacity) on wall unit consoles **FVE-049,051,058**

Media Wall Units

What sophisticated work of art should grace the wall of a large living room, a spacious family room or any other room needing an exceptional focal point? A Forks Valley wall unit is the perfect answer. Bonuses include lots of storage, room for displaying treasures, and the warm beauty of solid wood.



Artesa

3pc Wall Unit

Center unit available in
4 TV widths, specify when ordering.

45½" W | 50½" W | 55½" W | 60½" W

Standard Features

A	B	
•	•	Soft close (concealed hinge) doors
•	•	Leg levelers
•	•	Adjustable shelf with touch lighting above TV area
•	•	1 Adj. shelf behind each wood door
•	•	LED touch lighting with 6 adj. glass shelves
•	•	For wider widths – center door stays constant, side doors get wider
•	•	Hardware = 1" Wrought Iron knob P-1 (shown)



FVE-193-A

specify width when ordering

45½" W TV area : 104¼" W x 21¾" D x 83¾" H

Optional Features

A	B	
•	•	Make center unit 2 pieces

See complete options list on pg 112



FVE-191-A

specify width when ordering

45½" W TV area : 56" W x 21¾" D x 83¾" H

See page 219 for dimensional details.

Boulder Creek

6pc Wall Unit

Center unit available in 5 TV widths,
specify when ordering.

45½" W | 50½" W | 55½" W

60½" W | 68½" W



OS White Oak · Golden Brown

FVE-049-BC
includes console


specify width when ordering

45½" W TV area : 101" W x 16" D x 82¼" H

Standard Features

- Curved, solid reversed panel sides
- Soft close (concealed hinge) doors
- Leg levelers
- Console included, bolted to side cabinets
- 1 Adj. shelf behind each door
- Adjustable shelf below bridge
- Full hanging back behind TV area
- LED touch lighting with 3 adj. glass shelves in each side cabinet
- For wider widths – center door stays constant, side doors get wider
- Hardware = 1" Black knob **U** (shown)

Optional Features

- Heavy duty casters (console only)
- Hardware = **O-1**  (no up charge)

See complete options list on pg 112

See page 219 for dimensional details.

Ensenada

6pc Wall Unit

Standard Features

- Self-positioning, soft close barn doors on top
- Soft close (concealed hinge) doors on base
- Leg levelers
- 3 pc. base is bolted together
- 1 Adj. shelf behind each door
- 2 Adj. shelves on each side, on top
- Hardware = Satin nickel door pull **9-B** (shown)

Optional Features

- Available in 60½" W TV area, standard depth and height; complete unit 20" wider; center console 3 doors; sides 1 drawer, 2 door base. **FVE-85130-EN**
- Adjustable shelf above TV
- Satin nickel door hangers and track
- 1/4" Thick, full hanging back behind TV area
- 3/4" Thick back to hang TV on
- Omit barn doors on top
- Add touch lights with glass shelves in top, side cabinets

See complete options list on pg 112

See page 220 for dimensional details.



FVE-36110-EN · 3pc Base only
110¼" W x 18¾" D x 36" H



Optional full hanging back

Ensenada

6pc Wall Unit

Center unit available in 5 TV widths,
specify when ordering.

45½" W | 50½" W | 55½" W

60½" W | 68½" W



Sap Cherry · Asbury Brown

FVE-058-EN
includes console


specify width when ordering

45½" W TV area : 103½" W x 14¾" D x 86" H

Standard Features

- Soft close (concealed hinge) doors
- Leg levelers
- Console included, bolted to side cabinets
- 1 Adj. shelf behind each wood door
- Adjustable shelf below bridge
- Full hanging back behind TV area
- LED touch lighting with 3 adj. glass shelves in each side cabinet
- For wider widths – center door stays constant, side doors get wider
- Hardware = 1" Satin Nickel knob and drawer pull **T-1, T-2** (shown)

Optional Features

- Heavy duty casters (console only)
- Hardware = **1-A, 1-B**
(no up charge) 

See complete options list on pg 112

See page 221 for dimensional details.

Hoosier Heritage

6pc Wall Unit

Center unit available in 5 TV widths,
specify when ordering.

45½" W | 50½" W | 55½" W

60½" W | 68½" W



FVE-049-HH
includes console

specify width when ordering

45½" W TV area : 102" W x 15½" D x 81¾" H

Standard Features

- Soft close (concealed hinge) doors
- Leg levelers
- Console included, bolted to side cabinets
- 1 Adj. shelf behind each console door
- Adjustable shelf below bridge
- Full hanging back behind TV area
- LED touch lighting with 3 adj. glass shelves in each side cabinet
- For wider widths – center door stays constant, side doors get wider
- Hardware = 1¼" Oil rubbed bronze knob and drawer pull **S-1, S-2** (shown)

Optional Features

- Heavy duty casters (console only)

See complete options list on pg 112

See page 222 for dimensional details.

MANHATTAN MISSION

3pc Wall Unit

Center unit available in
4 TV widths, specify when ordering.

45½" W | 50½" W | 55½" W | 60½" W

Standard Features

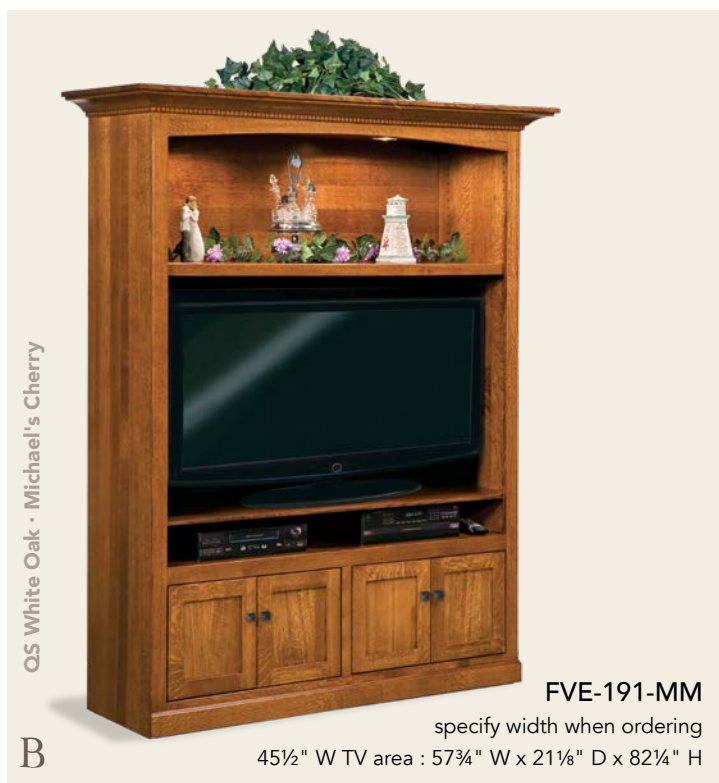
A	B	
•	•	Soft close (concealed hinge) doors
•	•	Leg levelers
•	•	Adjustable shelf with touch lighting above TV area
•		1 adj. shelf behind bottom door on both side cabinets
•		LED touch lighting with 6 adj. glass shelves
•	•	Hardware = 1" Black square knob R (shown)



Optional Features

A	B	
•	•	Make center unit 2 pieces

See complete options list on pg 112



See page 222 for dimensional details.

MANHATTAN MISSION

6pc Wall Unit

Center unit available in 5 TV widths,
specify when ordering.

45½" W | 50½" W | 55½" W

60½" W | 68½" W



OS White Oak · Michael's Cherry

FVE-049-MM
includes console

specify width when ordering

45½" W TV area : 104¼" W x 16⅝" D x 81¾" H

Standard Features

- Soft close (concealed hinge) doors
- Leg levelers
- Console included, bolted to side cabinets
- 1 Adj. shelf behind each console door
- Adjustable shelf below bridge
- Full hanging back behind TV area
- LED touch lighting with 3 adj. glass shelves in each side cabinet
- For wider widths – center door stays constant, side doors get wider
- Hardware = 1" Black square knob **R** (shown)

Optional Features

- Heavy duty casters (console only)

See complete options list on pg 112

See page 225 for dimensional details.

Modesto

6pc Wall Unit

Center unit available in 5 TV widths,
specify when ordering.

45½" W | 50½" W | 55½" W

60½" W | 68½" W



OS White Oak · Asbury Brown

FVE-049-MD
includes console

specify width when ordering

45½" W TV area : 97½" W x 14¼" D x 82¼" H

Standard Features

- Soft close (concealed hinge) doors
- Leg levelers
- Console included, bolted to side cabinets
- 1 Adj. shelf behind each console door
- Adjustable shelf below bridge
- Full hanging back behind TV area
- LED touch lighting with 3 adj. glass shelves in each side cabinet
- For wider widths – center door stays constant, side doors get wider
- Hardware = Black drawer and door pull **L-1, L-2** (shown)

Optional Features

- Heavy duty casters (console only)
- Hardware = **M-1, M-2**
(no up charge)



See complete options list on pg 112

See page 225 for dimensional details.

Modesto

6pc Wall Unit

Center unit available in 5 TV widths,
specify when ordering.

45½" W | 50½" W | 55½" W

60½" W | 68½" W



Rustic OS White Oak · Asbury Brown

FVE-051-MD includes console
specify width when ordering

45½" W TV area : 119½" W x 14¼" D x 82¼" H

Standard Features

- Soft close (concealed hinge) doors
- Leg levelers
- Console included, bolted to side cabinets
- 1 Adj. shelf behind each door
- Adjustable shelf below bridge
- Full hanging back behind TV area
- LED touch lighting with 3 adj. glass shelves in each side cabinet
- For wider widths – center door stays constant, side doors get wider
- Hardware = Black drawer and door pull **L-1, L-2** (shown)

Optional Features

- Heavy duty casters (console only)
- Hardware = **M-1, M-2**
(no up charge)



See complete options list on pg 112

See page 224 for dimensional details.

Old Classic Sleigh

6pc Wall Unit

Center unit available in 5 TV widths,
specify when ordering.

45½" W | 50½" W | 55½" W

60½" W | 68½" W



Oak · Michael's Cherry

FVE-058-OCS

includes console

specify width when ordering

45½" W TV area : 98" W x 16¼" D x 84½" H

Standard Features

- Soft close (concealed hinge) doors
- Leg levelers
- Console included, bolted to side cabinets
- 1 Adj. shelf behind each door
- Adjustable shelf below bridge
- Full hanging back behind TV area
- LED touch lighting with 3 adj. glass shelves in each side cabinet
- For wider widths – center door stays constant, side doors get wider
- Hardware = 1½", 1¾" Low profile round wood knob **C-1, C-2** (shown)

Optional Features

- Heavy duty casters (console only)

See complete options list on pg 112

See page 224 for dimensional details.

TIMBRA

6pc Wall Unit

Standard Features

- Self-positioning, soft close barn doors on top
- Soft close (concealed hinge) doors on base
- Leg levelers
- 3 pc. base is bolted together
- 1 Adj. shelf behind each door
- 2 Adj. shelves on each side, on top
- Hardware = Swedish Iron door pull **7-B** (shown)

Optional Features

- Add adjustable shelf above TV area
- 1/4" Thick, full hanging back behind TV area
- 3/4" Thick back to hang TV on
- Omit barn doors on top
- Add touch lights with glass shelves in top, side cabinets

See complete options list on pg 112

See page 220 for dimensional details.



FVE-85110-TB
6pc Wall Unit
110³/₄" W x 18³/₄" D x 84³/₄" H
(TV area: 50¹/₂" W x 13¹/₄" D x 42³/₄" H)



FVE-36110-TB · 3pc Base only
110¹/₄" W x 18³/₄" D x 36" H



Optional full hanging back

TIMBRA

6pc Wall Unit



Rustic Hickory · Golden Pecan

FVE-85130-TB · 6pc Wall Unit
130¾" W x 18¾" D x 84¾" H
(TV area: 60½" W x 13¼" D x 42¾" H)



Standard Features

- Self-positioning, soft close barn doors on top
- Soft close (concealed hinge) doors on base
- Leg levelers
- 3 pc. base is bolted together
- 1 Adj. shelf behind each door
- 2 Adj. shelves on each side, on top
- Hardware = Swedish Iron door pull **7-B** (shown)

Optional Features

- Add adjustable shelf above TV area
- 1/4" Thick, full hanging back behind TV area
- 3/4" Thick back to hang TV on
- Omit barn doors on top
- Add touch lights with glass shelves in top, side cabinets

See complete options list on pg 112



Optional full hanging back

See page 221 for dimensional details.

Victorian 3pc Wall Unit

Center unit available in
4 TV widths, specify when ordering.

45½" W | 50½" W | 55½" W | 60½" W

Standard Features

A	B
•	•
•	•
•	•
•	•
•	•
•	•
•	•
•	•

- Soft close (concealed hinge) doors
- Leg levelers
- Adjustable shelf with touch lighting above TV area
- 1 Adj. shelf behind bottom door on both side cabinets
- LED touch lighting with 6 adj. glass shelves
- Hardware = 1¼" Oil rubbed bronze knob **S-1** (shown)



FVE-193-VS

specify width when ordering

45½" W TV area : 116" W x 20" D x 82¼" H

Optional Features

A	B
•	•

Make center unit 2 pieces

See complete options list on pg 112



FVE-191-VS

specify width when ordering

45½" W TV area : 55½" W x 20" D x 82¼" H

See page 225 for dimensional details.

FORKS VALLEY WOODWORKING

Better Because ...

STANDARDS FOR CORNER MEDIA CONSOLES & HUTCHES



5/8" Thick dovetailed,
full-extension functional drawers



Leg levelers on all legs for
easy in-home leveling.



3/4" Raceway in back for easy wiring from shelf to shelf in
all component areas. All shelves are fully adjustable.



Solid hardwood sides and tops



Corner Media Consoles & Hutches

Specially made to maximize often wasted space in corners and enhance the features of the room in which it is placed, a Forks Valley corner stand, cabinet or hutch displays (or hides) your entertainment equipment in style.



CORNER MEDIA
CONSOLES & HUTCHES


Artesa Boulder Creek CENTENNIAL Classic

Media Corner Consoles

Standard Features

A	B	C	D	
•	•	•		Smoked glass
•				Smooth sliding track for all doors with simple mechanism for easy removal and 2 adjustable shelves behind each door
	•	•	•	Soft close (concealed hinge) doors with 1 adjustable shelf behind each door
	•			Hardware = 1" Black knob U (shown)
		•		Hardware = 1" Black square knob R (shown)
			•	Hardware = 1¼" Round wood knob A-1 (shown)

Optional Features

A	B	C	D	
•				Self-positioning, soft-closing sliding door
	•	•		Blum, soft close undermount drawers
	•			Omit inlays (no up charge)
			•	Swivel
			•	Change wood doors to smoked glass (no up charge)
			•	Cathedral arch top doors
			•	56" wide FVE-033-CXL 56" W x 22" D x 29¼" H
			•	Hardware = O-1  (no up charge)

See page 226 for dimensional details.



Rustic Cherry · Michael's Cherry

A

FVE-3060-A
Artesa corner console · 60" W x 22" D x 30¼" H



Rustic Cherry · Michael's Cherry

B

FVE-2956-BC
Boulder Creek corner console · 56¼" W x 19¾" D x 29" H



QS White Oak · Michael's Cherry

C

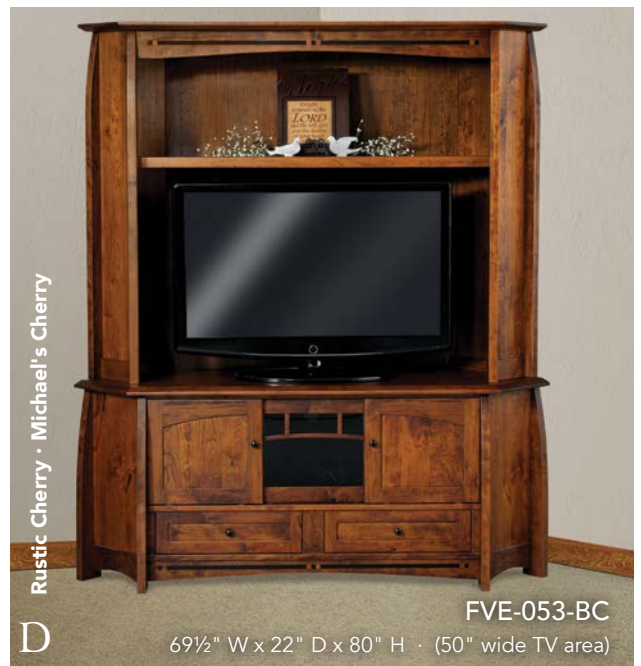
FVE-2956-CN
Centennial corner console · 56¼" W x 19¾" D x 29" H



Oak · Nutmeg

D

FVE-033-C
Classic corner console · 48¾" W x 22" D x 29¼" H




Artesa Boulder Creek

2pc Media Corner Consoles with Hutch

Standard Features

A	B	C	D	
•	•	•	•	Smoked glass
•	•	•	•	1 Adj. shelf behind right wood door and glass door
•	•	•	•	All doors on smooth sliding track with simple mechanism for easy removal
•			•	2 Piece unit
•			•	1 Adj. shelf above TV area
•	•			Hardware = 1" Wrought Iron knob and drawer pull P-1, P-2 (shown)
		•	•	Hardware = 1" Black knob U (shown)

Optional Features

A	B	C	D	
•	•	•	•	Self-positioning, soft-closing sliding door
•	•	•	•	Blum, soft close undermount drawers
•			•	LED touch light above TV area
		•	•	Omit inlays (no up charge)
		•	•	Hardware = O-1 (no up charge) 

See pages 227 for dimensional details.



Modesto

Old Classic Sleigh

2pc Media Corner Consoles with Hutch

Standard Features

A	B	C	D	
•	•	•	•	Smoked glass
•	•	•	•	1 Adj. shelf behind right wood door and glass door
•	•	•	•	All doors on smooth sliding track with simple mechanism for easy removal
•			•	2 Piece unit
•			•	1 Adj. shelf above TV area
•	•			Hardware = Black door and drawer pull L-1, L-2 (shown)
		•	•	Hardware = 1⅛", 1¼" Low profile round wood knob C-1, C-2 (shown)

Optional Features

A	B	C	D	
•	•	•	•	Self-positioning, soft-closing sliding door
•	•	•	•	Blum, soft close undermount drawers
•			•	LED touch light above TV area
		•	•	Hardware = M-1, M-2 (no up charge)



See pages 227 for dimensional details.

Bookcases & Stereo Cabinets

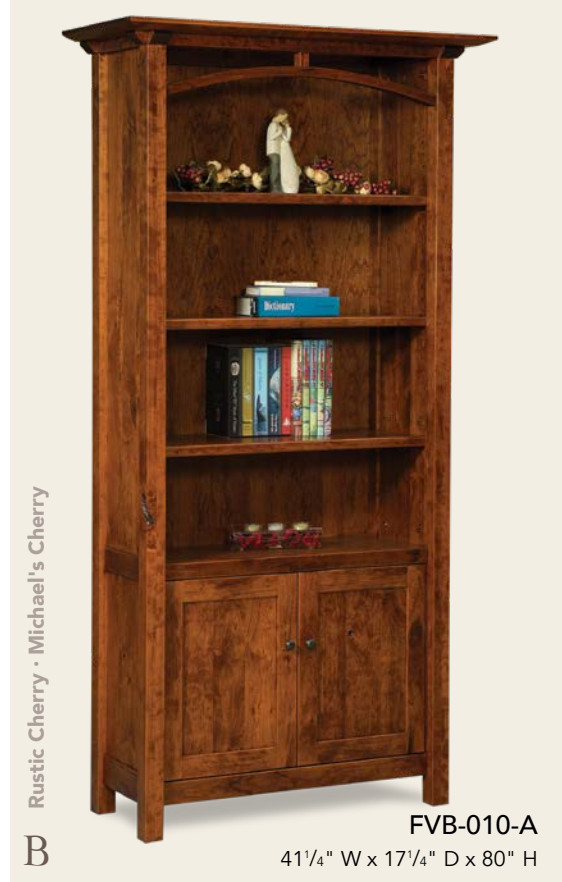
Like the printed volumes and decorative items they lovingly display, bookcases by Forks Valley beautifully reflect the taste of their owners. In addition, our stereo cabinets provide a stylish and durable way to protect valuable equipment.





Rustic Cherry · Michael's Cherry
A

FVB-011-A-6ft
41¼" W x 17¼" D x 72" H



Rustic Cherry · Michael's Cherry
B

FVB-010-A
41¼" W x 17¼" D x 80" H

Artesa Bookcases

Standard Features

A	B	C	
•	•	•	11½" deep shelves
		•	4 Adj. shelves
•			5 Adj. shelves
		•	8 Adj. shelves
		•	Drilled for adj. shelves behind wood doors
		•	Soft close (concealed hinge) doors
		•	Self positioning, soft close sliding glass doors with leaded and antique glass
		•	Hardware = 1" Wrought iron knob P-1 (shown)

Optional Features

A	B	C	
		•	Clear glass
		•	No doors



Rustic Cherry · Michael's Cherry
C

FVB-5466-A
54" W x 17¼" D x 66" H

Also available:

FVB-011-A-5ft
41¼" W x 17¼" D x 60" H
4 shelves

FVB-011-A-4ft
41¼" W x 17¼" D x 48" H
3 shelves



Brown Maple · Sandstone

A

FVB-340-AL-6ft
37¾" W x 15¼" D x 72" H



Hickory · Almond

B

FVB-344-AL-7ft
37¾" W x 15¼" D x 84" H

Atlantic Bookcases

Standard Features

A	B
•	• 11½" deep shelves
•	• 4 Adj. shelves
•	• 5 Adj. shelves
•	• Drilled for adj. shelves behind wood doors
•	• Soft close (concealed hinge) doors
•	• Hardware = Matte black pull 16-B (shown)

Also available:

FVB-340-AL-5ft
37¾" W x 15¼" D x 60" H
4 shelves

FVB-340-AL-4ft
37¾" W x 15¼" D x 48" H
3 shelves



A QS White Oak · Golden Brown

FVB-011-BC-6ft
39¼" W x 16" D x 72" H



B Rustic Hickory · American Antique

FVB-010-BC
39¼" W x 16" D x 80" H



Boulder Creek Bookcases

Standard Features

A	B	C	
•	•	•	11½" deep shelves
	•	•	4 Adj. shelves
•			5 Adj. shelves
	•		Drilled for adj. shelves behind wood doors
	•		Soft close (concealed hinge) doors
	•		Hardware = 1" Black knob U (shown)



C Rustic Cherry · Michael's Cherry

FVB-011-BC-5ft
39¼" W x 16" D x 60" H

Also available:

FVB-011-BC-4ft
39¼" W x 16" D x 48" H
3 shelves



OS White Oak · Michael's Cherry

A

FVB-011-BM-5ft
39" W x 14¾" D x 60¾" H



Oak · Nutmeg

B

FVB-010-BM
39" W x 14¾" D x 80" H

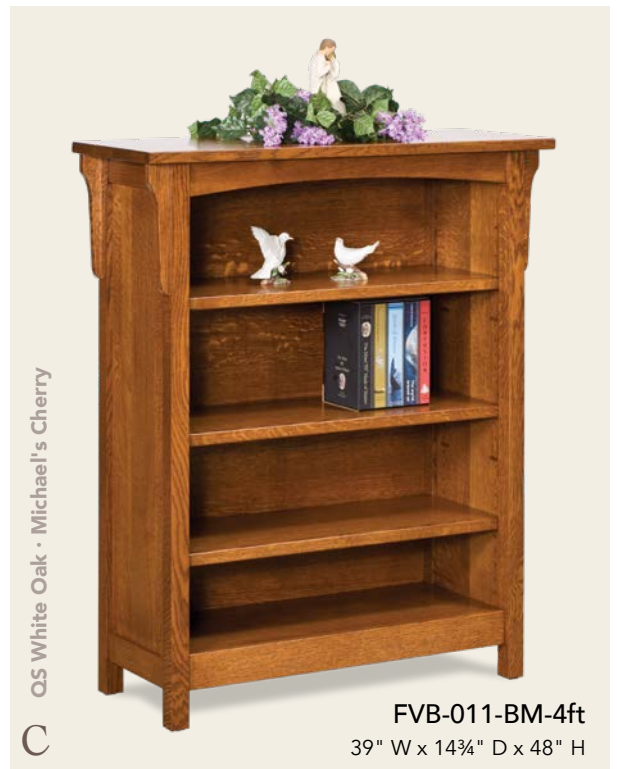
Bridger Mission Bookcases

Standard Features

A	B	C	
•	•	•	11½" deep shelves
		•	3 Adj. shelves
•	•		4 Adj. shelves
		•	Drilled for adj. shelves behind wood doors
		•	Soft close (concealed hinge) doors
		•	Hardware = 1¼" Black Stickley Mission knob X-1 (shown)



Optional Glass Doors



OS White Oak · Michael's Cherry

C

FVB-011-BM-4ft
39" W x 14¾" D x 48" H

Optional Features

A	B	C	
•	•	•	Glass doors with mullion

Also available:

FVB-011-BM-6ft
39" W x 14¾" D x 72" H
5 shelves



A Oak - Carbon

FVB-011-D-6ft
37 1/2" W x 15" D x 72" H



B Rustic Hickory - Almond

FVB-010-D
37 1/2" W x 15" D x 80" H

**QUICK
SHIP**
Rustic
Hickory
ONLY

DOVER Bookcases

Standard Features

A	B	C	
•	•	•	11 1/2" deep shelves
		•	4 Adj. shelves
•			5 Adj. shelves
		•	Drilled for adj. shelves behind wood doors
		•	Soft close (concealed hinge) doors
		•	Hardware = 1" Round Black knob U (shown)

Optional Features

A	B	C	
•	•	•	Glass doors (no mullions)

Also available:

FVB-011-D-4ft
37 1/2" W x 15" D x 48" H
3 shelves



C Brown Maple - Manchester

FVB-011-D-5ft
37 1/2" W x 15" D x 60" H



A
Brown Maple • Burnt Umber

FVB-011-EN-6ft
42¼" W x 14¾" D x 72" H



B
Sap Cherry • Asbury Brown

FVB-010-EN
42¼" W x 14¾" D x 80" H

Ensenada Bookcases

Standard Features

A	B	C	
•	•	•	11½" deep shelves
		•	4 Adj. shelves
•			5 Adj. shelves
		•	8 Adj. shelves
	•		Drilled for adj. shelves behind wood doors
	•		Soft close (concealed hinge) doors
	•		Self positioning, soft close sliding glass/wood doors with antique glass
	•		Hardware = 1" Satin nickel knob T-1 (shown)



C
Sap Cherry • Asbury Brown

FVB-5466-EN • 54" W x 16" D x 66" H

Optional Features

A	B	C	
		•	Clear glass
		•	No doors

Also available:

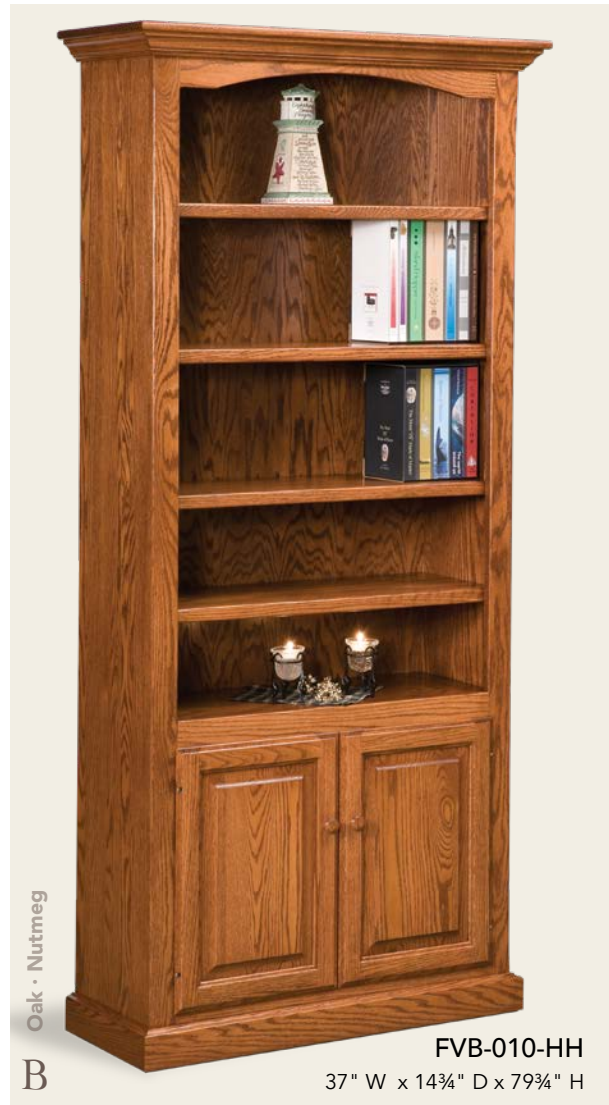
FVB-011-EN-5ft
42¼" W x 14¾" D x 60" H
4 shelves

FVB-011-EN-4ft
42¼" W x 14¾" D x 48" H
3 shelves



A
Oak · Nutmeg

FVB-011-HH-5ft
37" W x 14¾" D x 59¾" H



B
Oak · Nutmeg

FVB-010-HH
37" W x 14¾" D x 79¾" H

Hoosier Heritage Bookcases

Standard Features

A	B	C	
•	•	•	11½" deep shelves
		•	3 Adj. shelves
•	•		4 Adj. shelves
		•	Drilled for adj. shelves behind wood doors
		•	Soft close (concealed hinge) doors
		•	Hardware = 1¼" Round wood knob A-1 (shown)

Optional Features

A	B	C	
•	•	•	Glass doors with mullion

Also available:

FVB-011-HH-6ft
37"W x 14¾"D x 71¾"H
5 shelves



C
Oak · Nutmeg

FVB-011-HH-4ft
37" W x 14¾" D x 47¾" H



HOUSTON

Bookcases

Standard Features

A	B	C	
•	•	•	Available in Rough Sawn Rustic Brown Maple or Rough Sawn Rustic White Oak ONLY
•	•	•	11½" deep shelves
	•	•	4 Adj. shelves
•			5 Adj. shelves
	•		Drilled for adj. shelves behind wood doors
	•		Soft close (concealed hinge) doors
	•		Hardware = Swedish Iron door pull 7-B (shown)

Optional Features

A	B	C	
•	•	•	Glass doors (no mullions)

Also available:

FVB-011-HT-4ft
35¼"W x 14⅞"D x 48⅞"H
3 shelves





LEXINGTON ARC Marina Bookcases Standard Features

A	B	C	
•	•	•	11½" deep shelves
•		•	4 Adj. shelves
	•		5 Adj. shelves
•		•	Drilled for adj. shelves behind wood doors
•		•	Soft close (concealed hinge) doors
•			Hardware = Satin Nickel knob T-1 (shown)
		•	Hardware = Satin Nickel knob 10-A (shown)

Optional Features

A	B	C	
•	•	•	Glass doors (no mullions)

Also available:

FVB-011-MA-5ft
33"W x 12¾"D x 60"H
4 shelves



OS White Oak · Asbury Brown
A

FVB-011-MD-6ft
36" W x 14¼" D x 72" H



OS White Oak · Asbury Brown
B

FVB-010-MD
36" W x 14¼" D x 80" H

Modesto Bookcases

Standard Features

A	B	C	
•	•	•	11½" deep shelves
	•		4 Adj. shelves
•			5 Adj. shelves
		•	8 Adj. shelves
	•		Drilled for adj. shelves behind wood doors
	•		Soft close (concealed hinge) doors
	•		Self positioning, soft close sliding glass & wood doors with clear glass
	•		Hardware = Black door pull L-1 (shown)

Optional Features

A	B	C	
		•	No doors



OS White Oak · Asbury Brown
C

FVB-5466-MD
54" W x 15½" D x 66" H

Also available:

FVB-011-MD-5ft
36" W x 14¼" D x 60" H
4 shelves

FVB-011-MD-4ft
36" W x 14¼" D x 48" H
3 shelves

A QS White Oak · Michael's Cherry



FVB-011-OCS-5ft
36" W x 16" D x 60¾" H

B Oak · Michael's Cherry



FVB-010-OCS
36" W x 16" D x 78" H

Old Classic Sleigh Bookcases

Standard Features

A	B	C	
•	•	•	11½" deep shelves
•	•		4 Adj. shelves
		•	5 Adj. shelves
		•	Drilled for adj. shelves behind wood doors
		•	Soft close (concealed hinge) doors
		•	Hardware = 1¾" Low profile round wood knob C-2 (shown)



Optional Glass Doors

Optional Features

A	B	C	
•	•	•	Glass doors (no mullions)

C QS White Oak · Asbury



FVB-011-OCS-6ft
36" W x 16" D x 72" H

All leaded glass is locally handcrafted



Arts & Crafts | Clear water glass enhanced with mission caramel and green accent pieces. **LGAC**



Tulip | Water glass enhanced with mission caramel and green tulip design & beveled glass. **LGTU**



Colbran | Antique glass enhanced with beveled glass, wispy amber, mission caramel and red accent pieces. **LGCB**

QUICK SHIP
Rustic Cherry ONLY

Rustic Cherry · Michael's Cherry

A



FVBR-4DR-A

40 $\frac{3}{8}$ " W x 15 $\frac{1}{4}$ " D x 67 $\frac{1}{4}$ " H

Rustic Cherry · Michael's Cherry

B



FVBR-4DR-BC

39 $\frac{1}{4}$ " W x 16" D x 63 $\frac{1}{2}$ " H

Artesa Boulder Creek Colbran Barrister Bookcases

Standard Features

A	B	C	
•	•	•	11 $\frac{1}{2}$ " D x 12 $\frac{1}{2}$ " H book area
•	•	•	4 doors, slide smoothly into cabinet on roller glides
•			Leaded glass LGAC
	•		Leaded glass LGTU
		•	Leaded glass LGCB
•			Hardware = 1" Wrought iron knob P-1 (shown)
	•		Hardware = 1" Black knob U (shown)
		•	Hardware = 1" Black square knob R (shown)

OS White Oak · Golden Brown

C



FVBR-4DR-CB

40" W x 15 $\frac{1}{2}$ " D x 64" H

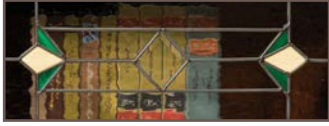
Optional Features

A	B	C	
•	•	•	Switch leaded glass pattern (no up charge)
•	•	•	Clear, beveled glass
•	•	•	5 door, 3 door, or 2 door (add or deduct 14 $\frac{1}{4}$ " H for each door)

All leaded glass is locally handcrafted



Craftsman | Seedy glass enhanced with champagne and earth wine accent pieces. **LGCM**



Tulip | Water glass enhanced with mission caramel and green tulip design & beveled glass. **LGTU**



Modesto | Antique glass enhanced with mission caramel and red accent pieces. **LGMD**

Rustic Cherry · Michael's Cherry

A



FVBR-4DR-CM

40¼" W x 15" D x 64¼" H

Oak · Mineral

B



FVBR-4DR-LA

40¾" W x 17¼" D x 64" H

Craftsman LEXINGTON ARC Modesto Barrister Bookcases

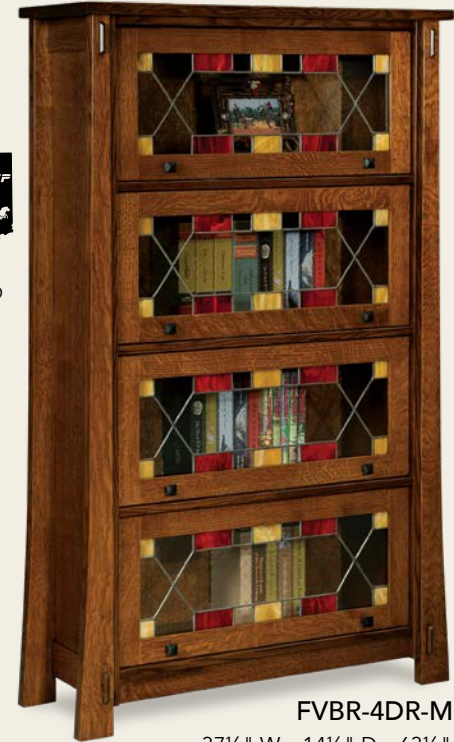
Standard Features

A	B	C	
•	•	•	11½" D x 12½" H book area
•	•	•	4 doors, slide smoothly into cabinet on roller glides
•			Leaded glass LGCM
	•		Leaded glass LGTU
		•	Leaded glass LGMD
•			Hardware = 1¼" Black square Stickley Mission knob X-1 (shown)
	•		Hardware = 1" Satin Nickel knob T-1 (shown)
		•	Hardware = 1" Black square knob R (shown)

QUICK SHIP
Rustic QSWO ONLY

QS White Oak · Asbury Brown

C



FVBR-4DR-MD

37½" W x 14½" D x 63½" H

Optional Features

A	B	C	
•	•	•	Switch leaded glass pattern (no up charge)
•	•	•	Clear, beveled glass
•	•	•	5 door, 3 door, or 2 door (add or deduct 14¼" H for each door)

Artesa Boulder Creek Double Bookcases

Standard Features

A	B
•	•
•	•
•	•

- 1 Piece unit
- Shelves are 11½" deep
- 10 Adjustable shelves



Bridger Mission

Ensenada

Double Bookcases

Standard Features

A	B
•	•
•	•
•	•

- 1 Piece unit
- Shelves are 11½" deep
- 10 Adjustable shelves

Optional Features

A	B
•	

- Glass doors with mullion



OS White Oak • Michael's Cherry
A

FVB-012-BM-6ft
Bridger Mission Double Bookcase
71¼" W x 14¾" D x 72" H



Hickory • Almond
B

FVB-012-EN-6ft
Ensenada double bookcase
74⅞" W x 14¾" D x 72" H



Optional Glass Doors

Hoosier Heritage Modesto

Double Bookcases

Standard Features

A	B
•	•
•	•
•	•

- 1 Piece unit
- Shelves are 11½" deep
- 10 Adjustable shelves

Optional Features

A	B
•	•

- Glass doors with mullion

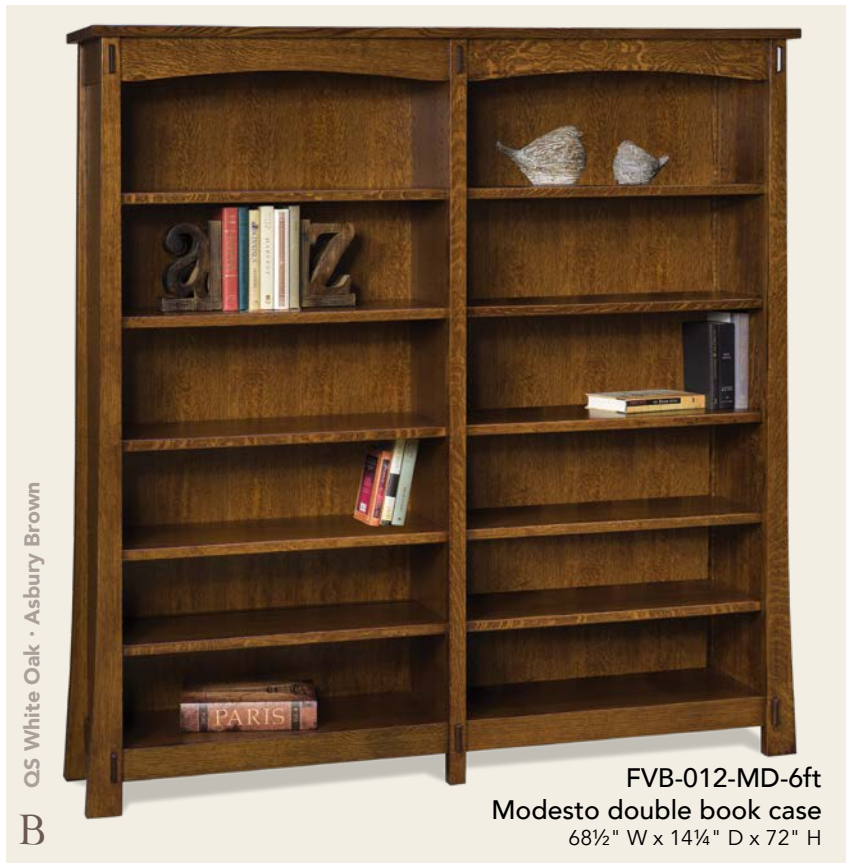


Optional Glass Doors



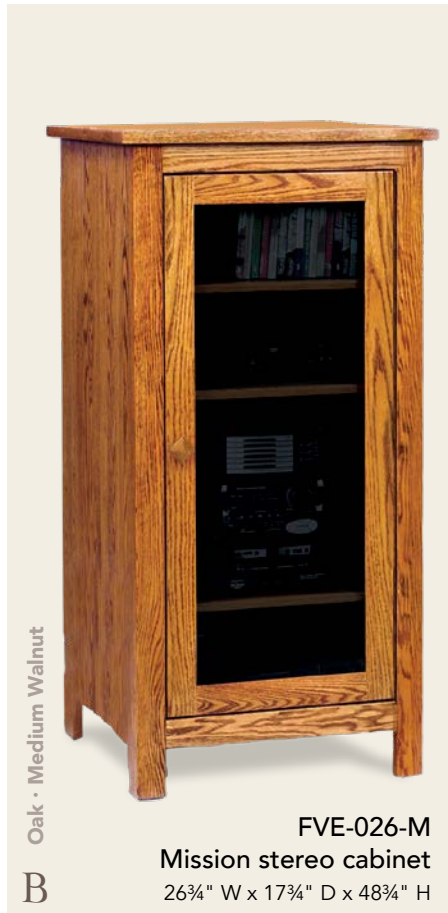
Oak · Nutmeg
A

FVB-012-HH-6ft
Hoosier Heritage double bookcase
67¾" W x 14¾" D x 71¾" H



OS White Oak · Asbury Brown
B

FVB-012-MD-6ft
Modesto double book case
68½" W x 14¾" D x 72" H



Classic, Mission and Old Classic Sleigh Stereo Cabinets

Standard Features

A	B	C	
•	•	•	Soft close (concealed hinge) doors
•	•	•	Smoked glass
•			5 Adjustable shelves
	•	•	4 Adjustable shelves
•			Hardware = 1¾" Low profile round wood knob C-2 (shown)
	•		Hardware = 1¼" Square pyramid wood knob B-1 (shown)
		•	Hardware = 1¼" round wood knob A-1 (shown)

See page 227 for dimensional details.

FORKS VALLEY WOODWORKING

Better Because ...



STANDARDS FOR OFFICE FURNITURE



Dimmable LED strip lighting in work area and open shelf area is standard on most desk hutches



7872L & 7878L desk tops have mitered corners with tenon fitted joints and latches to lock together



All wood file rails built into file drawer boxes, except FVL-2144s



FVL-2144 Drawers come with 2 sets of black aluminum file rails with slots for letter or legal files



5/8" Thick dovetailed, full extension functional drawers



Leg levelers on all legs for easy in home leveling



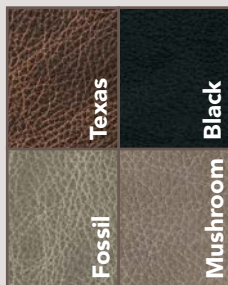
1" Thick solid wood pullout work space 14" W x 17" D (one each side)

OPTIONS FOR OFFICE FURNITURE **specify option location when ordering, use spec. sheets on pgs. 228-230*



Mushroom leather shown

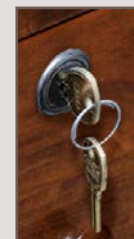
LIT(color)
1 1/4" thick top with genuine leather inserts on any FVD-2849, 2865, 3365, 3367, or 3371 desks. 4 colors to choose from (*please specify when ordering*)



1 1/4" thick Live Edge top on any office piece; add code **LET** after standard product code.



Change standard top to Ocean Wave Edge top; add code **OWE** after standard product code.



LK Add lock to any drawer, single or gang locks



WG 2" Wooden grommets in any desk top*



5" WKH Add 5" to knee hole width, this adds 5" to overall desk width (standard knee hole is 24 1/2" W x 25" H)

Home Office & Business Furnishings

Unmatched comfort, maximum functionality, heirloom-quality construction, natural hardwood grains enriched by a choice of fine finishes and artisan styling true to the Mission, Arts & Crafts or Modern designs perfected by traditional woodworkers...this is office furniture the Forks Valley way ... your way.

OPTIONS FOR OFFICE FURNITURE **specify option location when ordering, use spec. sheets on pgs. 228-230*



KBPD Keyboard pullout drawer on any desk with black non/slip mat 21" W x 13" D x 2½" H



POSD Add push-to-open, secret drawer with black felt bottom (12"W x 14¾"D x 2"H), on any desk, along top of drawer bank instead of writing pullout.



OTPD Organizer tray in pencil drawer



Dock-5-BK Add power station (5 outlets) mounted on a wooden platform, on the back panel, 12" underneath the top*



Blum soft close undermount slides on drawers



USBPD Double USB port charging station with black non/slip mat inside pencil drawer on any desk



Dock-702-BK Pop-up power station; 2 outlets, 1 USB, 1 USB-C*



TVSP3802-F Add surface-mounted power station to any desk, 3 outlets, 1 USB, 1 USB-C*



TV 2802 Pop-up power station; 2 outlets, 1 USB, 1 USB-C*



Dock 950 Wireless phone charger*



CMT Cable Management Tray 4" wide x 3" high x 18" long



Scan to view video of motorized pop-up power station

MPSPC Motorized Pop-up Power Station with wireless phone charger, 4 outlets, 2 USBs, 2 USB-Cs



Home Office & Business Furnishings

OPTIONS FOR OFFICE FURNITURE *specify option location when ordering, use spec. sheets on pgs. 228-230



Black (**BLK-LWP**) or
Brown (**BRWN-LWP**)
leather writing pad 15" x 23"



Scan to view
video of smart
monitor lift



Add electric lift
mechanism to any 7878L
desks; add code **S/S** after
standard product code.



SML Built-in smart monitor lift (made in USA) with 360° swivel. Fits up to a 32" monitor (30½" wide x 22½" high space). Can be set up with any home automation system. 10 year warranty.



Electric lift mechanism (made in USA) for desktop. Top lifts from 31" H to 49" H. 250lb. weight capacity. Adds 6" to width (in kneehole area) and keyboard pullout tray. Available on FVD-2849, 2865, 3365, or 3367 desks; add code **S/S** after standard product code.

WRITER'S DESKS

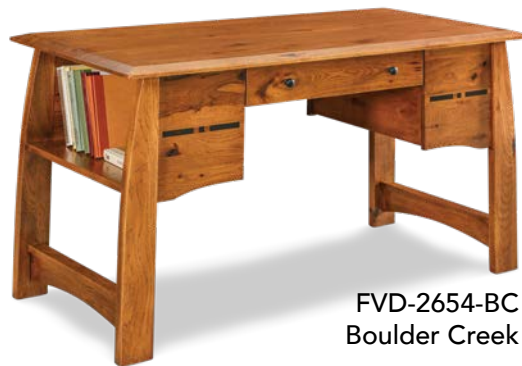
For sizes & standard features, see desk details on each collection's pages



FVD-2654-GR
Grant



FVD-2654-A
Artesa



FVD-2654-BC
Boulder Creek



FVD-420-BC
Boulder Creek



FVD-3065-CM
Craftsman

WRITER'S DESKS

For sizes & standard features, see desk details on each collection's pages



Artesa OFFICE COLLECTION

Looking at the Artesa office, you might think it is simply striking...and it is...but it is so much more. Writing pullouts, deep file drawers, an optional keyboard drawer and thoughtfully planned storage space all work together to add organization and efficiency to your personal work environment.



Artesa Hutch & Desks

Standard Features

A	B	C	D	E	
•	•	•	•	•	Solid, 4-sided tapered legs
•	•	•	•	•	Kneehole 24½" W, with pencil drawer
•	•	•	•		1 File drawer, each side
•	•	•	•		Pullout above drawers, each side
•	•		•		Unfinished back
		•		•	Finished back
•					Soft close (concealed hinge) doors
•					Dimmable LED touch lighting
•					2 Adj. shelves behind right door, 1 behind left door
•					Adjustable glass shelf in center
				•	Bookends = 18½" W x 10" D x 12" H
•	•	•	•	•	Hardware = Wrought Iron knob and drawer pull P-1 , P-2 (shown)

Optional Features

A	B	C	D	E	
			•		Finished back

See complete options list on pgs 151-153



Rustic Cherry · Michael's Cherry

A FVD-2865-HT-A
2pc hutch & desk base
65" W x 28¼" D x 81" H

B FVD-2865-A
desk base
65" W x 28¼" D x 31" H



Rustic Cherry · Michael's Cherry

C FVD-3365-A
curved top desk base
65" W x 33" D x 31" H

Finished back side



Rustic Cherry · Michael's Cherry

D

FVD-2849-A
49½" W x 28¼" D x 31" H



Rustic Cherry · Michael's Cherry

E

FVD-2654-A · Writer's desk
54" W x 26" D x 31" H

See page 231 for dimensional details.



Rustic Cherry · Michael's Cherry

FVD-3371-A-S/S
sit-to-stand curved top desk
71" W x 33" D x 31" - 49" H



Finished back side

Artesa Desk

Standard Features

- Kneehole 30½" W, with keyboard pull-out drawer
- Solid, 4-sided tapered legs
- Finished back side
- 1 File drawer, each side
- Height switch with 4 programmable settings for lift mechanism
- Electric lift mechanism (made in the USA) for desk top – top lifts from 31" H - 49" H; 250lb. weight capacity on lift
- Hardware = Wrought Iron drawer pull **P-2** (shown)



optional
1 ¼" thick top
with genuine
leather inserts

Artesa Hutch & L Desks

Standard Features

A	B	C	
•	•	•	Top has mitered corners
•	•	•	Solid, 4-sided tapered legs
•	•	•	Keyboard pull-out drawer on left; pencil drawer on right
•	•	•	Pullout above drawers, each side
•	•	•	1 File drawer, each side
•	•	•	Kneehole 30½" W, each side
•	•	•	Unfinished back (left side), finished back (right side)
•	•	•	Finished back
•	•	•	Grommet in top (hutch side)
•	•	•	Soft close (concealed hinge) doors
•	•	•	Dimmable LED touch lighting (warm white) in work area and open shelf area
•	•	•	1 Adj. shelf behind small doors, 2 behind large door on right
•	•	•	Adjustable glass shelf in center
•	•	•	Work area = 47¼" W x 13" D x 22" H
•	•	•	Hardware = 1" Wrought Iron knob and drawer pull P-1 , P-2 (shown)

Optional Features

A	B	C	
•	•	•	Reverse sides (no up charge)
•	•	•	Finished back side on left side of desk

See complete options list on pgs 151-153

See pages 251-252 for dimensional details.



A

Rustic Cherry ·
Michael's Cherry

FVD-7878L-HT-A · 3pc desk base & hutch
desk: 78" W (left & right side) x 30" D x 31" H
hutch: 73½" W x 18½" D x 50" H



B

Rustic Cherry ·
Michael's Cherry

FVD-7878L-A · 2pc L desk
78" W (left & right side) x 30" D x 31" H



C

Rustic Cherry ·
Michael's Cherry

FVD-7872L-A
2pc L desk
78" W (left side) |
72" W (right side)
x 30" D x 31" H

Finished back side

Rustic Cherry · Michael's Cherry
A



FVBB-2590-HT-A · 4pc hutch & base
90" W x 24¾" D x 84" H

Rustic Cherry · Michael's Cherry
B



FVF-2DWR-A
24¼" W x 28¼" D x 31" H

Also available:
FVF-3DWR-A
3 Drawer File Cabinet, 45⅞" H

Rustic Cherry · Michael's Cherry
C



FVF-2DWR-A-F
24¼" W x 30" D x 31" H

Also available:
FVF-3DWR-A-F
3 Drawer File Cabinet
with Finished Back, 45⅞" H

Artesa

4pc Backbar, Base & File Cabinets

Standard Features

A	B	C	D
•	•	•	•
•	•		•
•		•	
•			•
•			•
•			•
•			•
•	•	•	
•			•
•	•		

- Solid, 4-sided tapered legs
- Unfinished back
- Finished back
- 2 Adj. shelves in each section of hutch
- 1 Adj. shelf behind each door
- Soft close (concealed hinge) doors
- Hutch is 3 pcs, bolted together
- 2 Letter file drawers
- Hardware = 1" Wrought Iron knob **P-1** (shown)
- Hardware = Wrought Iron drawer pull **P-2** (shown)

Rustic Cherry ·
Michael's Cherry
D



FVBB-2590-A · 1pc base
90" W x 24¾" D x 31" H

See complete options list on pgs 151-153
See page 252 for dimensional details.



Artesa

2pc Legal File Cabinet with Hutch & Legal File Credenza

Standard Features

A	B	C	
•	•		2 Letter/legal file drawers
		•	2 Legal file drawers
•	•		2 Sets of hanging file rails per drawer
•			2 Piece unit
•			2 Adj. shelves in hutch area, 11½" deep
		•	Soft close (concealed hinge) doors
		•	1 Adj. shelf behind doors
•	•	•	Hardware = Wrought Iron knob and drawer pull P-1, P-2 (shown)

Optional Features

A	B	C	
•	•		Blum, soft close undermount drawers

See complete options list on pgs 151-153



FVL-2144 Drawers come with 2 sets of black aluminum file rails with slots for letter or legal files

Atlantic

Desks

Standard Features

A	B	C	
•	•	•	Pencil drawer
•	•	•	Kneehole 24½" W
•	•	•	1 File drawer, each side
•	•		Unfinished back
		•	Finished back
•	•	•	Hardware = Matte Black drawer pull 16-B (shown)



Optional Features

A	B	C	
•	•	•	Flat panel sides, no grooves (no up charge)
•	•	•	Add wood pullout above drawer bank
•	•		Finished back

See complete options list on pgs 151-153



Boulder Creek

OFFICE COLLECTION

Gently curved legs, inlays, and arched skirts distinguish the Boulder Creek collection. This contemporary look adds a touch of warmth and classic style to any office. Hand made by skilled Amish craftsmen, Boulder Creek furniture is available in a choice of sustainably harvested hardwoods.



Boulder Creek Desks

Standard Features

A	B	C	D	
•	•	•		Kneehole 24½" W, with pencil drawer
	•	•		Black wood inlays
•	•			Finished back side
		•	•	Unfinished back
	•			Bookends = 20½" W x 12½" D x 12" H
		•		Curved, reversed panel sides
		•		Pullout above drawers
		•		1 File drawer right side
		•		Inside box (removable) with drawer and paper slots
		•		Soft close, lift up doors. Inside monitor space: 23" W x 12" D x 16½" H
•	•	•	•	Hardware = 1" Black knob U (shown)

Rustic Hickory • Almond
A




FVD-420-BC
writer's desk
54" W x 26" D x 31" H

Rustic Hickory • Golden Harvest
B



FVD-2654-BC
writer's desk
54" W x 26" D x 31" H

Optional Features

A	B	C	D	
•	•	•	•	Hardware = O-1 (no up charge) 
		•	•	Finished back
•	•	•		Omit inlays (no up charge)

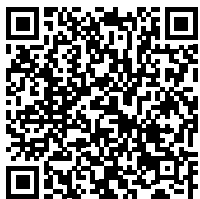
See complete options list on pgs 151-153

Rustic Hickory • Almond



C FVD-2849-BC
desk base
49" W x 27½" D x 31" H

D FVDH-600-BC
hutch top
44½" W x 16½" D x 22" H



Scan to view video of soft close lift up doors

See page 233 for dimensional details.





FVD-3371-BC-S/S
 sit-to-stand curved top desk
 71" W x 33" D x 31" - 49" H




Boulder Creek Desk

Standard Features

- Kneehole 30½" W, with keyboard pull-out drawer
- Black wood inlays
- Curved, reversed panel sides
- Finished back side
- 1 File drawer, each side
- Height switch with 4 programmable settings for lift mechanism
- Electric lift mechanism (made in the USA) for desk top – top lifts from 31" H - 49" H; 250lb. weight capacity on lift
- Hardware = 1" Black knob **U** (shown)

Optional Features

- Hardware = **O-1** (no up charge) 
- Omit inlays (no up charge)


See complete options list on pgs 151-153

Boulder Creek Hutch & Desks

Standard Features

A	B	C	D	
•	•	•	•	Black wood inlays
•	•	•	•	Curved, solid reversed-panel sides
•	•	•	•	Kneehole 24½" W, with pencil drawer
•	•	•	•	1 File drawer, each side
•	•	•	•	Pullout above drawers, each side
•	•	•		Unfinished back
			•	Finished back
•				Soft close (concealed hinge) doors
•				Dimmable LED touch lighting
•				2 Adj. shelves behind each door; 1 adj. glass shelf in center
		•		4" deep drawers with stop (prevents drawers from falling out)
		•		Top slots = 4½" W x 9¾" D x 5" H; Side slots = 11½" W x 9¾" D x 4¼" H; all dividers removable
•	•	•	•	Hardware = 1" Black knob U (shown)

Optional Features

A	B	C	D	
•	•	•	•	Hardware = O-1  (no up charge)
		•		Finished back
•	•	•	•	Omit inlays (no up charge)

See complete options list on pgs 151-153



FVD-2865-DT-BC removable dividers detail

See page 233 for dimensional details.



QS White Oak • Golden Brown

A FVD-2865-HT-BC
2pc hutch &
desk base
65" W x 27½" D x 79¾" H

B FVD-2865-BC
desk base
65" W x 27½" D x 31" H



QS White Oak • Golden Brown

FVD-2865-DT-BC

Desk: 65" W x 27½" D x 31" H • Topper: 55" W x 12" D x 17" H



Rustic Hickory • Golden Harvest



FVD-3365-BC
curved top desk base
65" W x 33" D x 31" H

D Finished back side

A Oak • Vintage Antique



FVD-6660L-BC
 66" W (left side) | 60" W (right side)
 26" D (left side) | 20" D (right side) x 31" H



Finished back side



B Rustic Hickory • FC-809 Golden Harvest



FVD-7872L-BC
 78" W (left side) | 72" W (right side)
 30" D x 31" H



Finished back side




Boulder Creek L Desks

Standard Features

A	B	
•	•	Black wood inlays
•	•	Curved, reversed panel sides
•	•	Keyboard pull-out drawer on left; pencil drawer on right
•	•	Finished back
•	•	File drawer on left side
•	•	Top has mitered corners
•	•	Pullout above drawers
•	•	1 File drawer, each pedestal
•	•	Hardware = 1" Black knob U (shown)

Optional Features

A	B	
•	•	Omit inlays (no up charge)
•	•	Reversed sides (no up charge)
•	•	Hardware = O-1  (no up charge)

See complete options list on pgs 151-153

See pages 251 and 254 for dimensional details.



Rustic Cherry - Vintage Antique

FVD-7882L-BC-S/S
 2 pc sit-to-stand L desk
 78" W (left side)
 82" W (right side)
 30" D x 31" - 49" H


Boulder Creek L Desk



Standard Features

- Black wood inlays
- Curved, reversed panel sides
- Kneehole 30½" W on left side, 34½" W on right side
- Keyboard pull-out drawer on right; pencil drawer on left
- Finished back on right, unfinished back on left
- Grommet in top, on right side
- 1 File drawer, each side
- Pullout above drawers on left side
- Height switch with 4 programmable settings for lift mechanism
- Electric lift mechanism (made in the USA) for desk top – top lifts from 31" H - 49" H; 250lb. weight capacity on lift
- Hardware = 1" Black knob **U** (shown)

Optional Features

- Omit inlays (no up charge)
- Reversed sides (no up charge)
- Finished back on left side
- Hardware = **O-1**  (no up charge)

See complete options list on pgs 151-153



Finished back side

See page 234 for dimensional details.


Boulder Creek Hutch & L Desk

Standard Features

A	B	
•	•	Black wood inlays
•	•	Curved, reversed panel sides
•	•	Kneehole 30½" W, each side
•	•	Keyboard pull-out drawer on left; pencil drawer on right
•	•	Pullout above drawers, each side
•	•	1 File drawer, each side
•	•	Unfinished back (left side), finished back (right side)
•	•	Grommet in top (hutch side)
•	•	Soft close (concealed hinge) doors
•	•	Dimmable LED touch lighting (warm white) in work area and open shelf area
•	•	1 Adj. shelf behind small doors, 2 behind large door on right
•	•	Adjustable glass shelf in center
•	•	Work area = 47¼" W x 13" D x 22" H
•	•	Hardware = 1" Black round knob U (shown)



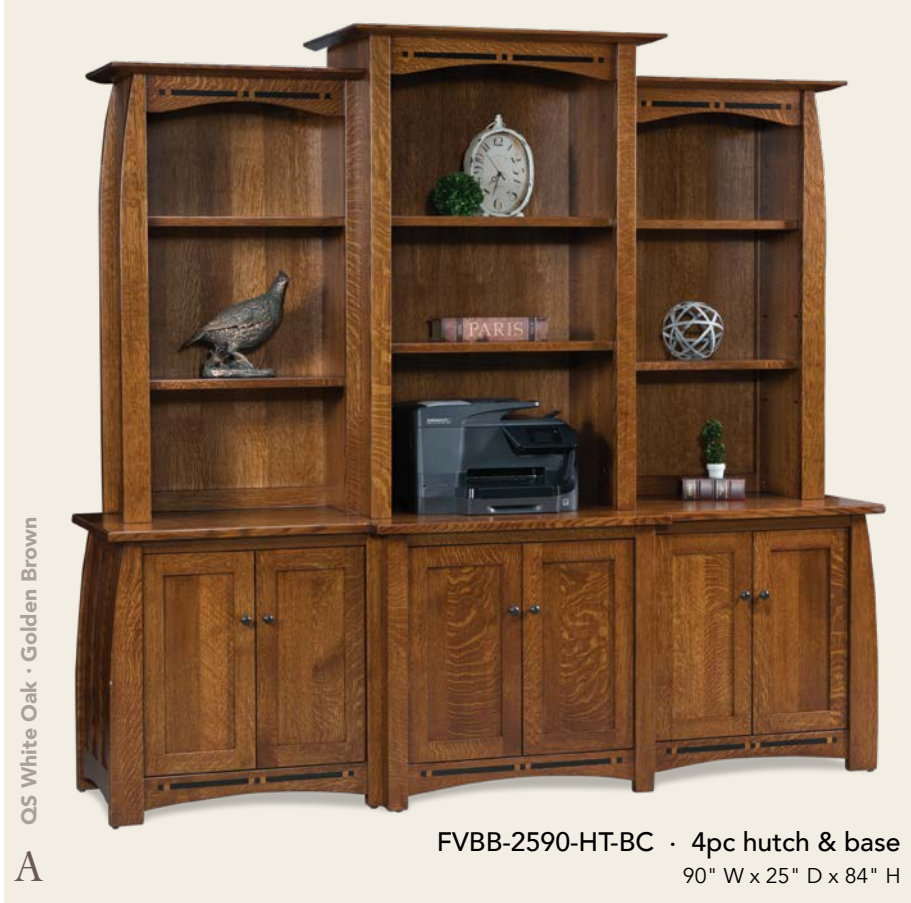
Optional Features

A	B	
•	•	Omit inlays (no up charge)
•	•	Reverse sides (no up charge)
•	•	Finished back side on left side of desk
•	•	Hardware = O-1  (no up charge)

See complete options list on pgs 151-153

See page 252 for dimensional details.





A OS White Oak · Golden Brown

FVBB-2590-HT-BC · 4pc hutch & base
90" W x 25" D x 84" H



B OS White Oak · Golden Brown

FVF-2DWR-BC
23" W x 28" D x 31" H

Also available:
FVF-3DWR-BC
3 Drawer File Cabinet, 43 $\frac{3}{8}$ " H



C OS White Oak · Golden Brown

FVF-2DWR-BC-F
23" W x 30" D x 31" H

Also available:
FVF-3DWR-BC-F
3 Drawer File Cabinet
with Finished Back, 43 $\frac{3}{8}$ " H

Boulder Creek 4pc Backbar & File Cabinets

Standard Features

A B C D

- | | | | | |
|---|---|---|---|--|
| • | • | • | • | Black wood inlays and curved, solid reversed panel sides |
| | • | • | | 2 Letter file drawers |
| • | • | | • | Unfinished back |
| | | • | | Finished back |
| • | • | | | 1 Adj. shelf behind each door |
| • | • | | | Soft close (concealed hinge) doors |
| • | | | | Hutch is 3 pcs, bolted together |
| • | | | | 2 Adj. shelves in each section of hutch |
| • | • | • | • | Hardware = 1" Black knob U (shown) |




D OS White Oak · Golden Brown

FVBB-2590-BC · 1pc base
90" W x 25" D x 31" H

Optional Features

A B C D

- | | | | | |
|---|---|---|---|--|
| • | • | • | • | Omit inlays (no up charge) |
| • | • | • | • | Hardware = O-1  (no up charge) |

See complete options list on pgs 151-153

See page 234 for dimensional details.




Boulder Creek

2pc Legal File Cabinet with Hutch & Legal File Credenza

Standard Features

A	B	C	
•	•		2 Letter/legal file drawers
		•	2 Legal file drawers
•	•	•	Black wood inlays
•	•		2 Sets of hanging file rails per drawer
•			2 Piece unit
•			2 Adj. shelves in hutch area, 11½" deep
		•	Soft close (concealed hinge) doors
		•	1 Adj. shelf behind doors
•	•	•	Hardware = 1" Black knob U (shown)

Optional Features

A	B	C	
•	•	•	Omit inlays (no up charge)
•	•		Blum, soft close undermount drawers
•	•	•	Hardware = O-1 (no up charge) 

See complete options list on pgs 151-153



FVL-2144 Drawers come with 2 sets of black aluminum file rails with slots for letter or legal files

Bridger Mission Desks

Standard Features

A	B	
•	•	Kneehole 24½" W, with pencil drawer
•	•	Finished back
•	•	Pullout above drawer bank
•	•	Finished back
•	•	2 Drawers on right side
•	•	File drawer on left side (looks like double drawers)
•	•	Hardware = Black Stickley Mission drawer pull X-2 (shown)



Optional Features

See complete options list on pgs 151-153



Standard pullouts above drawer banks

CENTENNIAL Hutch & L Desk

Standard Features

A B

- • Knee-hole 28½" W, each side
- • Keyboard pull-out drawer on left; pencil drawer on right
- • Pullout above drawers, each side
- • 1 File drawer, each side
- • Unfinished back (left side), finished back (right side)
- • Grommet in top (hutch side)
- • Soft close (concealed hinge) doors
- • Dimmable LED touch lighting (warm white) in work area
- • 1 Adj. shelf behind small doors,
- • Work area = 62½" W x 12¼" D x 18" H
- • Hardware = 1" Black square knob **R** (shown)



Oak · Vintage Antique

A

FVD-7272L-HT-CN
3pc desk base & hutch
desk: 72" W (left & right side) x 26" D x 31" H
hutch: 68" W x 14" D x 41" H

Optional Features

A B

- • Reverse sides (no up charge)
- • Finished back side on left side of desk

See complete options list on pgs 151-153



Oak ·
Vintage
Antique

B

FVD-7272L-CN · 2pc desk base
72" W (left & right side) x 26" D x 31" H

See page 255 for dimensional details.

Colbran

OFFICE COLLECTION

Dream. Plan. Communicate with the chaotic outside world. Inside, you'll be working in a grounded, stress-free environment when you add Colbran furniture to your home or office.



Colbran

Desks & Filing Cabinets

Standard Features

A	B	C	D	E	
•	•	•	•	•	Solid tapered sides
•	•	•			Kneehole 24½" W, with pencil drawer
•	•	•			1 File drawer, each side
			•	•	2 Letter file drawers
•	•	•			Pullout above drawers, each side
•		•	•		Unfinished back
	•			•	Finished back
	•				Curved top
•	•	•	•	•	Hardware = 1" Black square knob R (shown)

Optional Features

A	B	C	D	E	
		•			Finished back

See complete options list on pgs 151-153

Also available:

FVL-2144-CB
2 Drawer Legal File Cabinet
45½" W x 19¾" D x 31" H

FVLC-063-CB
Legal File Credenza
63" W x 19¾" D x 31" H



Craftsman Desks

Standard Features

A	B	C	
•	•	•	1" solid top
•	•	•	Pencil drawer in center
•	•	•	1 Pencil drawer each side
•	•	•	Finished back side
•			Electric lift mechanism (made in the USA) for desk top – top lifts from 28" H - 46" H; 250lb. weight capacity on lift
•			Height switch with 4 programmable settings for lift mechanism
•	•	•	Hardware = Black Stickley Mission drawer pull X-2 (shown)



Oak • Mineral

A

FVD-2654-CM-S/S
Electric Sit-to-Stand Writer's Desk
54" W x 26" D x 28"-46" H



Oak • Mineral

B

FVD-2654-CM
Writer's Desk (no lift)
54" W x 26" D x 31" H

Optional Features

A	B	C	
		•	Omit tenons (no up charge)

See complete options list on pgs 151-153



Optional power station on back of desk
TVSP3802-F



Rustic Cherry • Michael's Cherry

C

FVD-3065-CM
writer's desk
65" W x 30" D x 31" H

Finished back side

DOVER OFFICE COLLECTION

The Dover Collection adds a quiet elegance to any business or home office. Details like raised-look side panels, radiused corners, and understated arches inspire productive thoughts while reflecting your success. And, with so many available options, this upscale set easily fits the style of its surroundings and the needs of its user.




DOVER

Desks

Standard Features

A	B	C	
•	•	•	Pencil drawer
•	•	•	Kneehole 24½" W
•	•	•	1 File drawer, each side
•	•		Unfinished back
		•	Finished back
•	•	•	Hardware = 1" Black knob U (shown)

Optional Features

A	B	C	
•	•	•	Flat panel sides, no grooves (no up charge)
•	•	•	Add wood pullout above drawer bank
•	•		Finished back
•	•	•	Hardware = O-1  (no up charge)

See complete options list on pgs 151-153



Rustic Hickory · Almond

A

FVD-2865-D

65" W x 27¼" D x 30⅞" H



Oak · Carbon

B



FVD-2849-D

48½" W x 27¼" D x 30⅞" H



Rustic Hickory · Almond

C



FVD-3065-D

65" W x 30" D x 30⅞" H

Finished back side

DOVER

Hutch, L Desk & Legal File Credenza

Standard Features

A	B	C	
•			Kneehole 27" W, each side
•			Keyboard pull-out drawer on left; pencil drawer on right
•			1 File drawer, each side
	•		2 Legal file drawers
•			Unfinished back (left side), finished back (right side)
•			Grommet in top (hutch side)
	•	•	Soft close (concealed hinge) doors
	•	•	1 Adj. shelf behind doors
	•		Dimmable LED touch lighting (warm white) in work area
•	•	•	Work area = 62½" W x 12¼" D x 18" H
•	•	•	Hardware = 1" Black Round knob U (shown)

Optional Features

A	B	C	
•	•	•	Reverse sides (no up charge)
•			Finished back side on left side of desk
•			Add wood pullout above drawer bank

See complete options list on pgs 151-153

Also available:

FVL-665-D
2 Drawer Legal File Cabinet
43" W x 19¼" D x 30⅞" H

See page 235 for dimensional details.



Ensenada

OFFICE COLLECTION

Whether catching up on household finances or working on a big project with a tight deadline, Ensenada office furniture, with its clean, graceful lines, inspires relaxed productivity.



Ensenada Desks

Standard Features

A	B	C	D	
•	•	•	•	Pencil drawer
•	•	•	•	1" Solid top
•	•	•	•	Beveled edge on legs
	•	•	•	Kneehole 24½" W
	•	•	•	1 File drawer, each side
	•	•	•	Pullout above drawers, each side
	•	•		Unfinished back
•			•	Finished back
			•	Curved top
•	•	•	•	Hardware = Satin Nickel drawer pull T-2 (shown)

A
Oak • Driftwood



FVD-2654-EN • writer's desk
54" W x 26" D x 31" H

B
Sap Cherry • Asbury



FVD-2865-EN
67" W x 28½" D x 31" H

Optional Features

A	B	C	D	
		•		Finished back
•	•	•	•	Hardware = 1-B (no up charge)



See complete options list on pgs 151-153

C
Sap Cherry • Asbury



FVD-2849-EN
50¾" W x 28½" D x 31" H

D
Sap Cherry • Asbury



Back view

FVD-3365-EN
curved top desk base
67" W x 33" D x 31" H

Ensenada Hutch & L Desk

Standard Features

A	B	C	
•	•		Kneehole 30½" W, each side
•	•	•	Keyboard pull-out drawer on left; pencil drawer on right
•	•		Pullout above drawers, each side
•	•		1 File drawer, each side
		•	1 File drawer, left side
•	•		Unfinished back (left side), finished back (right side)
		•	Finished back
•	•		Grommet in top (hutch side)
•			Soft close (concealed hinge) doors
•			Dimmable LED touch lighting (warm white) in work area and open shelf area
•			1 Adj. shelf behind small doors, 2 behind large door on right
•			Adjustable glass shelf in center
•			Work area = 47¼" W x 13" D x 22" H
•	•	•	Hardware = 1" Satin Nickel knob and drawer pull T-1, T-2 (shown)



A
Sap Cherry · Asbury

FVD-7878L-HT-EN

3pc desk base & hutch

desk: 78" W (left & right side) x 30" D x 31" H

hutch: 74½" W x 16" D x 48¾" H



B
Sap Cherry · Asbury

FVD-7878L-EN

2pc desk base

78" W (left & right side) x 30" D x 31" H



C
Oak · Vintage Antique

FVD-6660L-EN

2pc L desk

66" W (left side)

60" W (right side)

26" D (left side)

20" D (right side) x 31" H

Finished back side

Optional Features

A	B	C	
•	•	•	Reverse sides (no up charge)
		•	Finished back side on left side of desk
•	•	•	Hardware = 1-A, 1-B (no up charge)

See complete options list on pgs 151-153

See page 232 for dimensional details.


Ensenada

File Cabinets & Legal File Credenza

Standard Features

A	B	C	D	
•	•	•	•	Beveled edge on legs
•		•	•	Unfinished back
	•			Finished back
•	•			2 Letter file drawers
		•		2 Letter/legal file drawers
			•	2 Legal file drawers
			•	Soft close (concealed hinge) doors
			•	1 Adj. shelf behind doors
•	•	•	•	Hardware = Satin Nickel drawer pull T-2 (shown)

Optional Features

A	B	C	D	
		•		Blum, soft close undermount drawers
•	•	•	•	Hardware = 1-B (no up charge) 

See complete options list on pgs 151-153



FVL-2144 Drawers come with 2 sets of black aluminum file rails with slots for letter or legal files



A Sap Cherry · Asbury

FVF-2DWR-EN

24¼" W x 28½" D x 31" H

Also available:

FVF-3DWR-EN

3 Drawer File Cabinet, 44¾" H



B Sap Cherry · Asbury

FVF-2DWR-EN-F

24¼" W x 29¾" D x 31" H

Also available:

FVF-3DWR-EN-F

3 Drawer File Cabinet with Finished Back, 44¾" H



C Sap Cherry · Charwood

FVL-2144-EN

45½" W x 19¾" D x 34" H



D Sap Cherry · Asbury

FVLC-063-EN

63" W x 19¾" D x 34" H



Rustic OS White Oak · Golden Brown

A

FVD-2654-GR-S/S
Electric Sit-to-Stand
Writer's Desk
54" W x 26" D x 28"-46" H

Grant Desks

Standard Features

A	B	
•	•	1" solid top
•	•	Pencil drawer
•	•	Finished back side
•		Electric lift mechanism (made in the USA) for desk top – top lifts from 28" H - 46" H; 250lb. weight capacity on lift
•		Height switch with 4 programmable settings for lift mechanism
•	•	Hardware = Black Stickley Mission drawer pull X-2 (shown)



Rustic OS White Oak · Golden Brown

B

FVD-2654-GR
Writer's Desk (no lift)
54" W x 26" D x 31" H

Optional Features

See complete options list on pgs 151-153



Optional power station on back of desk
TVSP3802-F

Oak · Michael's Cherry w/burnished edges



A FVD-2865-HT-GR 2pc hutch & desk base
64¼" W x 28½" D x 79¾" H

B FVD-2865-GR desk base
64¼" W x 28½" D x 31" H



Rustic Cherry · Michael's Cherry
C

FVD-3365-GR
curved top desk base
64¼" W x 33" D x 31" H

Finished back side



Rustic Cherry · Michael's Cherry
D

FVD-2849-GR
47¾" W x 28½" D x 31" H

Grant

Hutch, Desks & Filing Cabinets

Standard Features

A	B	C	D	E	F	
•	•	•	•			Kneehole 24½" W, with pencil drawer
•	•	•	•			1 File drawer, each side
				•	•	2 Letter file drawers
•	•	•	•			Pullout above drawers, each side
•	•		•	•		Unfinished back
		•			•	Finished back
•						Soft close (concealed hinge) doors
•						Dimmable LED touch lighting
•						2 Adj. shelves behind right door, 1 behind left door
•						Adjustable glass shelf in center
•	•	•	•	•	•	Hardware = Black Stickley Mission drawer pull and knob X-1, X-2 (shown)



Rustic Cherry · Michael's Cherry
E

FVF-2DWR-GR
21" W x 28½" D x 31" H

Also available:
FVF-3DWR-GR
3 Drawer File Cabinet, 43¾" H



Rustic Cherry · Michael's Cherry
F

FVF-2DWR-GR-F
21" W x 30" D x 31" H

Also available:
FVF-3DWR-GR-F
3 Drawer File Cabinet with Finished Back, 43¾" H

Optional Features

A	B	C	D	E	F	
	•		•			Finished back

See complete options list on pgs 151-153
See page 251 for dimensional details.

HOUSTON

OFFICE COLLECTION

Rugged yet classic characteristics of the Houston Office Collection include planked-look doors, distressed wood with rough sawn scars and antiqued pulls. Surround yourself with comfortable office pieces that inspire you to get down to business and give you all the efficiency features you need to easily get the job done.



HOUSTON

Desks

Standard Features

A	B	C	
•	•	•	Available in Rough Sawn Rustic Brown Maple and Rough Sawn Rustic White Oak ONLY
•	•	•	1 1/8" smooth solid top
•	•	•	Kneehole 24 1/2" W, with pencil drawer
	•	•	1 File drawer in each pedestal
•		•	Finished back
	•		Unfinished back
•	•	•	Hardware = Swedish Iron drawer pull 7-B (shown)



Optional Features

A	B	C	
•	•	•	Rough sawn top (no upcharge)
•	•	•	Wooden pegs in legs
	•	•	Black or brown leather writing pad 15" x 23" (lays on top)

See complete options list on pgs 151-153



Kascade OFFICE COLLECTION

Form and function found the best possible balance in the Kascade office. Uniquely artful details like corbels and applied slats create a new twist on the classic Mission style. Subtly designed accommodations for modern office electronics are also built in.



Kascade Desks

Standard Features

A	B	C	D	
•	•	•	•	Kneehole 24½" W, with pencil drawer
•	•	•	•	1 File drawer, each side
•	•	•	•	Pullout above drawers, each side
•	•	•	•	Unfinished back
	•			Finished back
	•			Curved top
		•	•	4" deep drawers with stop (prevents drawers from falling out)
		•	•	Top slots = 4½" W x 9¾" D x 5" H; Side slots = 11½" W x 9¾" D x 4¼" H; all dividers removable
•	•	•	•	Hardware = 1" Black square knob R (shown)

Optional Features

A	B	C	D	
•	•	•	•	Flat sides – no Kascade slatted detail (no up charge)
•		•		Finished back

See complete options list on pgs 151-153



Optional flat sides



QS White Oak • Golden Brown

A

FVD-2865-KS

65" W x 28¼" D x 31" H



QS White Oak • Golden Brown

B

FVD-3365-KS

curved top desk base

65" W x 33" D x 31" H



QS White Oak • Golden Brown

C

FVD-2849-KS

48¼" W x 28¼" D x 31" H



QS White Oak • Golden Brown

D

FVD-2865-DT-KS

Desk: 65" W x 28¼" D x 31" H

Topper: 53½" W x 11¼" D x 17" H

Kascade

File Cabinets & Legal File Credenza

Standard Features

A	B	C
•		• Unfinished back
	•	• Finished back
•	•	• 2 Letter file drawers
		• 2 Legal file drawers
		• Soft close (concealed hinge) doors
		• 1 Adj. shelf behind doors
•	•	• Hardware = 1" Black square knob R (shown)

Optional Features

See complete options list on pgs 151-153

Also available:

FVL-2144-KS

2 Drawer Legal File Cabinet,
42" W x 19¾" D x 31" H



FVL-2144 Drawers come with 2 sets of black aluminum file rails with slots for letter or legal files



OS White Oak • Golden Brown

A

FVF-2DWR-KS
21¼" W x 28¼" D x 31" H

Also available:
FVF-3DWR-KS
3 Drawer File Cabinet, 43¾" H



OS White Oak • Golden Brown

B

FVF-2DWR-KS-F
21¼" W x 29½" D x 31" H

Also available:
FVF-3DWR-KS-F
3 Drawer File Cabinet
with Finished Back, 43¾" H



OS White Oak • Golden Brown

C

FVLC-063-KS
63" W x 19¾" D x 31" H

LEXINGTON ARC

Desks

Standard Features

A	B	C	D	
•	•	•	•	Kneehole 24½" W, with pencil drawer
•	•	•	•	Pullout above drawers, each side
•	•	•		1 File drawer, each side
			•	2 drawers on right side; file drawer on left side (looks like double drawer)
•		•		Unfinished back
	•		•	Finished back
•	•	•		Hardware = Satin Nickel drawer pull T-2 (shown)



Sap Cherry • Carbon

FVD-2865-LA
65" W x 28½" D x 31" H



Sap Cherry • Carbon

FVD-3365-LA
curved top desk base
65" W x 33" D x 31" H

Optional Features

A	B	C	D	
•		•		Finished back
			•	Remove vertical slats on sides (no up charge)
•		•		Hardware = 1-B (no up charge)



See complete options list on pgs 151-153



Brown Maple • Charwood

FVD-2849-LA
49⅞" W x 28½" D x 31" H



Sap Cherry • Mineral

FVD-3065-LA
65" W x 30" D x 31" H

Finished back side

LEXINGTON ARC


Hutch & L Desk

Standard Features

A	B	
•	•	Kneehole 30½" W, each side
•	•	Keyboard pull-out drawer on left; pencil drawer on right
•	•	Pullout above drawers, each side
•	•	1 File drawer, each side
•	•	Unfinished back (left side), finished back (right side)
•	•	Grommet in top (hutch side)
•	•	Soft close (concealed hinge) doors
•	•	Dimmable LED touch lighting (warm white) in work area and open shelf area; adjustable glass shelf in center
•	•	1 Adj. shelf behind small doors, 2 behind large door on right
•	•	Work area = 47¼" W x 13" D x 22" H
•	•	Hardware = 1" Satin Nickel knob and drawer pull T-1, T-2 (shown)



Optional Features

A	B	
•	•	Reverse sides (no up charge)
•	•	Finished back side on left side of desk
•	•	Hardware = 1-A, 1-B (no up charge) 



See complete options list on pgs 151-153

See page 232 for dimensional details.

LEXINGTON ARC

File Cabinets & Legal File Credenza

Standard Features

A	B	C	D	
•	•		•	Unfinished back
		•		Finished back
	•	•		2 Letter file drawers
•			•	2 Legal file drawers
			•	Soft close (concealed hinge) doors
			•	1 Adj. shelf behind doors
•	•	•	•	Hardware = 1" Satin Nickel knob and drawer pull T-1, T-2 (shown)

Optional Features

A	B	C	D	
•	•	•	•	Blum, soft close undermount drawers
•	•	•	•	Hardware = 1-A, 1-B (no up charge)



See complete options list on pgs 151-153



FVL-2144 Drawers come with 2 sets of black aluminum file rails with slots for letter or legal files



Sap Cherry • Carbon
A

FVL-2144-LA
44¼" W x 21" D x 31" H



Brown Maple • Charwood
B

FVF-2DWR-LA
23" W x 28½" D x 31" H

Also available:
FVF-3DWR-GR
3 Drawer File Cabinet, 43¾" H



Brown Maple • Charwood
C

FVF-2DWR-LA-F
23" W x 29¾" D x 31" H

Also available:
FVF-3DWR-LA-F
3 Drawer File Cabinet with Finished Back, 43¾" H



Sap Cherry • Charwood
D

FVLC-063-LA
63" W x 21" D x 31" H

London OFFICE COLLECTION

Turned baluster-look columns, multi-level raised panels, flexible configurations, plenty of storage and a variety of standard features are just a few of the London Office Collection's distinctive design elements. Built-in quality ensures many years of useful life and lasting beauty. This bold style keeps you grounded, focused and ready for your next project.



London Desks

Standard Features

A	B	
•	•	Solid, bubble raised panel sides
•	•	Pencil drawer
•	•	Kneehole 32½" W
•	•	1 File drawer, each side
•		Unfinished back
	•	Finished back
•	•	Blum, soft close undermount drawers
•	•	Hardware = Brushed Pewter drawer pull 15-B (shown)

Optional Features

A	B	
•	•	Columns: Ridgestone Accent color
•	•	Motorized power station
•	•	Built-in monitor lift (made in USA) with swivel, 10 year warranty
•		Finished back side

See complete options list on pgs 151-153



Scan to view video of smart monitor lift



Scan to view video of motorized pop-up power station

SML Built-in smart monitor lift (made in USA) with 360° swivel. Fits up to a 32" monitor (30½" wide x 22½" high space). Can be set up with any home automation system. 10 year warranty.

A
Brown Maple • Summit Courtland



FVD-489-LD

77¼" W x 30" D x 31" H

columns: shown with optional Ridgestone Accent color

B
Brown Maple • Summit Courtland



FVD-490-LD

77¼" W x 33" D x 31" H

shown with optional monitor lift, motorized power station, and columns: Ridgestone Accent color



Finished back side



shown with standard desk pullouts, optional smart monitor lift (made in USA) with 360° swivel, and motorized power station

London

Hutch & L Desk

Standard Features

A	B	
•	•	Solid, bubble raised panel sides
•		Kneehole 30½" W, each side
•		Keyboard pull-out drawer on left; pencil drawer on right
•		Pullout above drawers, each side
•		1 File drawer, each side
•		Unfinished back (left side), finished back (right side)
•		Grommet in top (hutch side)
•		Blum, soft close undermount drawers
•		Dimmable LED touch lighting (warm white) in bottom, open area and upper, center area
•		1 Adj. wood shelf on each side and 1 adj. glass shelf in center
•		Hardware = Brushed Pewter drawer pull 15-B (shown)



Sap Cherry · Sealy

A FVD-550-LD · 2pc desk base
81" W (left & right side) x 30" D x 31" H

B FVDH-630-LD · hutch
80¼" W x 18¾" D x 48½" H
columns: shown with optional Ridgestone Accent color

Optional Features

A	B	
•	•	Reverse sides (no up charge)
•	•	Columns: Ridgestone Accent color
•		Finished back side on left side of desk

See complete options list on pgs 151-153



Writing pull-out and keyboard drawer detail



Sap Cherry · Sealy

A

FVD-550-LD · 2pc desk base
81" W (left & right side) x 30" D x 31" H
columns: shown with optional Ridgestone Accent color

See page 237 for dimensional details.

Marina OFFICE COLLECTION

Sophisticated, open-concept design meets quality-conscious construction in the Marina office collection. A modern workspace with all the functional office features you expect and a sleek, simplistic look subtly state that you're a connoisseur of good taste in both your professional and personal life.



Marina

Hutch, L Desk, Desk & Credenza

Standard Features

A	B	C	D	
•	•	•	•	1" Solid tops and sides
•	•	•	•	Locking mitered joints on corners
•	•			Kneehole 34" W each side
•	•	•		Kneehole 24½" W, with pencil drawer
•	•			Keyboard pull-out drawer on left; pencil drawer on right
•	•	•		1 File drawer, each side
•	•	•		Finished back (both sides)
•	•			Grommet in top (hutch side)
•				Work area = 47¼" W x 11¼" D x 24⅞" H
	•			Soft close (concealed hinge) doors
	•			1 Adj. shelf behind doors
	•			1 Legal file drawer, 1 regular drawer
•	•	•	•	Hardware = Satin Nickel door knob and drawer pull 10-A, 10-B (shown)



Optional Features

See complete options list on pgs 151-153



Standard locking mitered joints

See page 239 for dimensional details.

SARATOGA

OFFICE COLLECTION

With its dramatic circles, deep bevels and flowing lines Saratoga creates an office environment like no other...a space that's inviting, artistic and exciting. It's the perfect catalyst for great thoughts and ideas, so pull up a chair and be inspired!



SARATOGA


Desks

Standard Features

A	B	
•	•	Finished back side
•	•	Pencil drawer
•	•	Solid, curved base with curved drawer front
	•	Kneehole 24½" W
	•	Pullout above drawers, each side
	•	2 Drawers on right side; file drawer on left side (looks like double drawer)
•	•	Hardware = Satin Nickel drawer pull I-2 (shown)



Optional Features

A	B	
•	•	Hardware = J-2  (no up charge)

See complete options list on pgs 151-153



SARATOGA

Desk & Back Bar

Standard Features

A	B	C	
•	•	•	Solid curved base, curved drawer fronts
		•	2 Adj. shelves behind each door
•			Kneehole 24½" W, with pencil drawer
•			Pullout above drawers, each side
•			1 File drawer, each side
	•	•	Unfinished back
			Finished back
•	•	•	Hardware = 1¼" Satin Nickel knob and drawer pull I-1, I-2 (shown)

Optional Features

Hardware = **J-1, J-2** (no up charge)



See complete options list on pgs 151-153

Also available:

FVL-2144-ST
2 Drawer Legal File Cabinet,
43¾" W x 19¾" D x 34" H



FVL-2144 Drawers come with 2 sets of black aluminum file rails with slots for letter or legal files

See page 239 for dimensional details.



Finished back side



Sap Cherry · Burnt Umber
A

FVD-3367-ST
curved top desk
67" W x 33" D x 31" H




Sap Cherry · Burnt Umber

B **FVBB-2074-HT-ST** · 2pc back bar & hutch top
74" W x 19¾" D x 87½" H

C **FVBB-2074-ST** · back bar (base only)
74" W x 19¾" D x 34" H

PARIS TIMBRA Desks

Standard Features


- | A | B |
|---|---|
| • | • Finished back |
| • | • Electric lift mechanism (made in the USA) for desk top – top lifts from 28" H - 46" H; 250lb. weight capacity on lift |
| • | • Height switch with 4 programmable settings for lift mechanism |
| • | • Lift-up lid with storage and power station  TVSP3802-F |
| • | • Kneehole 24½" W, with pencil drawer |
| • | • Pullout above drawers, each side; 1 file drawer each side |
| • | • Hardware = Swedish Iron drawer pull 7-B (shown) |



Hickory • Almond

A FVD-430-PR
Paris Electric Sit-to-Stand Writer's Desk
48" W x 32" D x 28" - 46" H

Optional Features

- | A | B |
|---|---|
| • | • Hardware = 13-B  (no up charge) |

See complete options list on pgs 151-153



Rustic Cherry • Chestnut

B

FVD-3365-TB-LET
Timbra live edge desk
64½" W x 31" D x 31¼" H

Finished back side

Also available:

FVD-3365-TB • Desk (no live edge), 1" thick top
64½" W x 33" D x 31" H

Victorian WRAP-AROUND DESK

What do you want your workspace to say about you? That quality is a priority to you? That you sweat the details? That the style best suited to your taste is simple yet stately? If so, the Victorian Wrap-Around Desk is the perfect choice for your home or business office.




Victorian Wrap Around Desk & Std Desks

Standard Features

A	B	C	
•	•	•	Solid, raised panel sides
•	•	•	Pullout above drawer bank with 3 drawers (1 file drawer), each side
•			Top has mitered corners
•			Keyboard pull-out drawer on hutch side; pencil drawers – 2 in center kneehole, 1 in outside kneehole
•	•	•	Kneehole 24½" W, with pencil drawer
•			Grommet in top (hutch side)
•			Soft close (concealed hinge) doors
•			Dimmable LED (warm white) touch lighting in work area and open shelf area
•			2 Adj. shelves behind wood doors, 1 adj. glass shelf in center
•			Finished back on front and left side; unfinished back on hutch side
•	•		Unfinished back
•	•	•	Finished back
•	•	•	1¼" Oil Rubbed Bronze knob and drawer pull S-1, S-2 (shown)

Optional Features

A	B	C	
•			Reverse sides (no up charge)
•	•	•	Hardware = 8-A, 8-B (no up charge) 

See complete options list on pgs 151-153

See page 240 for dimensional details.



Rustic Cherry · Michael's Cherry



FVD-9678U-HT-VS · 4pc desk

desk: 78" W x 96" D x 31" H

hutch: 74½" W x 19½" D x 53" H

Also available:

FVD-9678U-VS

3pc desk base only

Sap Cherry · Vintage Antique



FVD-2865-VS

63¾" W x 28" D x 31" H

Sap Cherry · Vintage Antique



FVE-3365-VS


63¾" W x 33" D x 31" H

Victorian Hutch & L Desk

Standard Features

A	B	
•	•	Solid, raised panel sides
•	•	Kneehole 30½" W, each side
•	•	Keyboard pull-out drawer on left; pencil drawer on right
•	•	Pullout above drawers, each side
•	•	1 File drawer, each side
•	•	Unfinished back (left side), finished back (right side)
•	•	Grommet in top (hutch side)
•		Soft close (concealed hinge) doors
•		Dimmable LED touch lighting (warm white) in work area and open shelf area
•		1 Adj. shelf behind each door
•		Work area = 67¾" W x 13" D x 19½" H
•	•	Hardware = 1¼" Oil Rubbed Bronze knob and drawer pull S-1, S-2 (shown)

Optional Features

A	B	
•	•	Reverse sides (no up charge)
•	•	Finished back side on left side of desk
•	•	Hardware = 8-A, 8-B (no up charge) 

See complete options list on pgs 151-153

See page 240 for dimensional details.



Also available:

FVLC-063-VS
2 Door, 2 Drawer Legal File Credenza
63" W x 19¾" D x 31" H

FVL-2144-VS
2 Drawer Legal File Cabinet
43" W x 19¾" D x 31" H

FVF-2DWR-VS
2 Drawer File Cabinet
21¾" W x 28" D x 31" H

FVF-2DWR-VS-F
2 Drawer File Cabinet with Finished Back
21¾" W x 29¼" D x 31" H

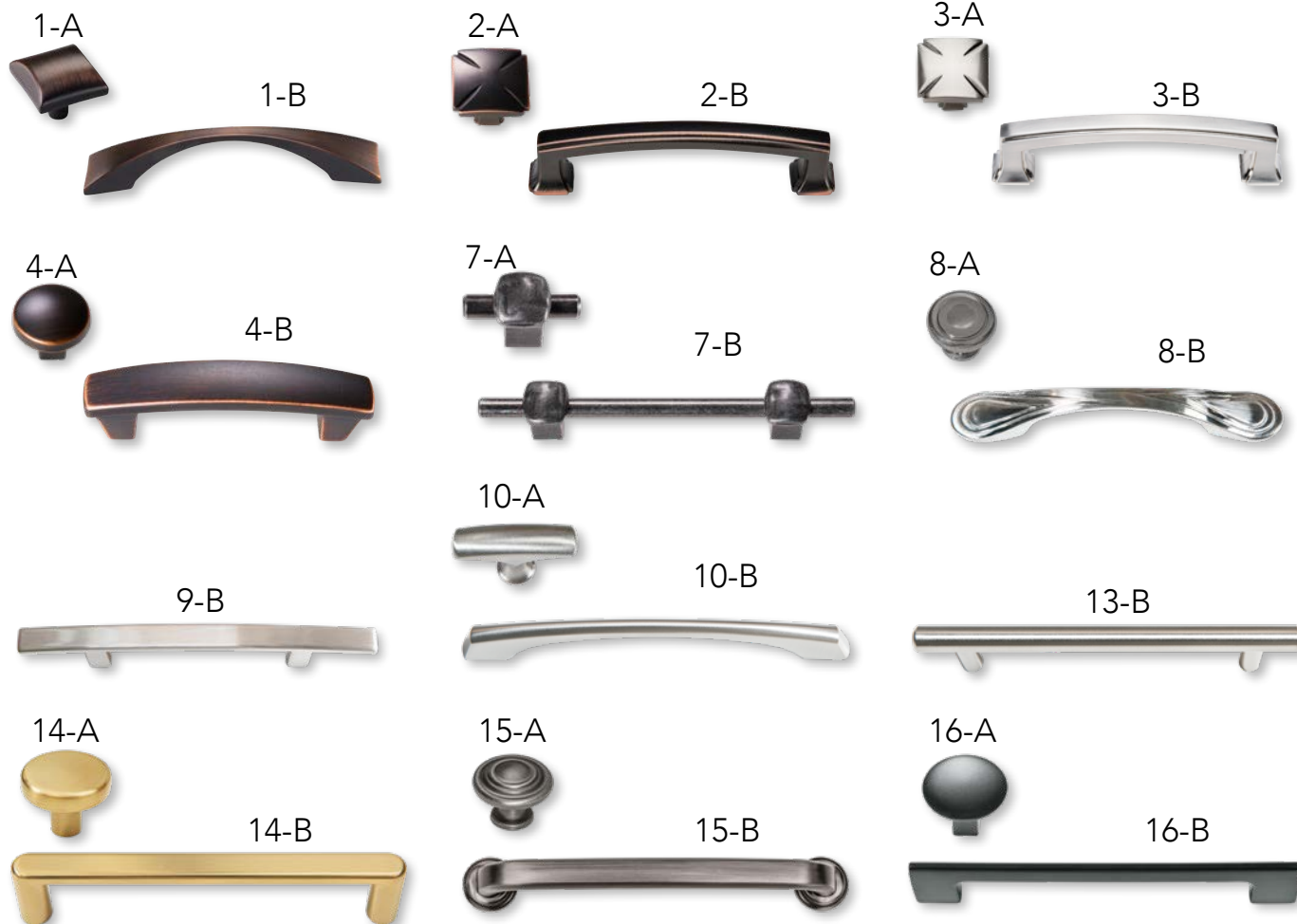
DECORATIVE HARDWARE

HARDWARE & DOOR OPTIONS



A-1	K-40-B	1¼" Diameter round wood knob
A-2	K-40-C	1½" Diameter round wood knob
B-1	K-50-B	1¼" Square pyramid wood knob
B-2	K-50-C	1½" Square pyramid wood knob
C-1	11-LP	1⅝" Low profile round wood knob
C-2	17-LP	1¾" Low profile round wood knob
D	K-53-BL	1¼" Square pyramid Black knob
F-1	S6060BNBDL	1¼" Bright Nickel, Brushed Dull knob
F-2	Z260-3BNBDL	Bright Nickel, Brushed Dull drawer pull
H-2	D-527-A	Black Mission door pull
H-3	D-529-A	Black Mission drawer pull
I-1	595-SN	1¼" Satin Nickel knob
I-2	595-96-SN	1¼" Satin Nickel drawer pull
J-1	595-DBAC	1¼" Oil Rubbed Bronze knob
J-2	595-96-DBAC	Oil Rubbed Bronze drawer pull
L-1	D552-BL	Black door pull
L-2	D553-BL	Black drawer pull

M-1	D552-ORB	Oil Rubbed Bronze door pull
M-2	D553-ORB	Oil Rubbed Bronze drawer pull
O-1	53005-G10	1¼" Satin Nickel round knob
P-1	K570-W	1" Wrought Iron knob
P-2	D-521-W	Wrought Iron drawer pull
Q-1	K155-DBAC	1⅝" Antique Copper knob
Q-2	K155-96DBAC	Antique Copper drawer pull
R	D524-BI	1" Black square knob
S-1	117-DBAC	1¼" Oil Rubbed Bronze knob
S-2	3899-DBAC	Oil Rubbed Bronze drawer pull
T-1	525-SN	1" Satin Nickel knob
T-2	525-96-SN	Satin Nickel drawer pull
U	HH1217-MB	1" Black knob
W-1	HH4425-WI	1¼" Wrought Iron knob
W-2	HH4424-WI	Wrought Iron drawer pull
X-1	D942-BL	1¼" Black Stickley Mission knob
X-2	D925-BL	Blk Stickley Mission drawer pull
Y-1	4655-SN	5" Satin Nickel pull



- | | | |
|------|--------------|--------------------------------------|
| 1-A | 525-DBAC | 1" Oil Rubbed Bronze knob |
| 1-B | 525-96-DBAC | Oil Rubbed Bronze drawer pull |
| 2-A | P3230-OBH | 1 1/4" Oil Rubbed Bronze knob |
| 2-B | P3232-OBH | Oil Rubbed Bronze drawer pull |
| 3-A | P3230-SN | 1 1/4" Satin Nickel knob |
| 3-B | P3232-SN | Satin Nickel drawer pull |
| 4-A | HH4425-ORB | 1 1/4" Oil Rubbed Bronze knob |
| 4-B | HH4424-ORB | Oil Rubbed Bronze drawer pull |
| 7-A | K58-SI | 1 1/2" Long Swedish Iron door pull |
| 7-B | K558-SI | Swedish Iron drawer pull |
| 8-A | 117-SN | 1 1/4" Satin Nickel knob |
| 8-B | 3899-SN | Satin Nickel drawer pull |
| 9-B | 26203-G10 | Satin Nickel drawer pull |
| 10-A | 993-SN | 1 3/4" Long Satin Nickel door handle |
| 10-B | P3371-SS | Satin Nickel drawer pull |
| 13-B | BP205128195 | Satin Nickel drawer pull |
| 14-A | 105-SBZ | 1 1/4" Satin Bronze knob |
| 14-B | 105-128-SBZ | Satin Bronze drawer pull |
| 15-A | 117-BNBDL | 1 1/4" Brushed Pewter knob |
| 15-B | 527-128BNBDL | Brushed Pewter drawer pull |
| 16-A | 55362-MB | 1 1/4" Matte Black knob |
| 16-B | 55368-MB | Matte Black drawer pull |



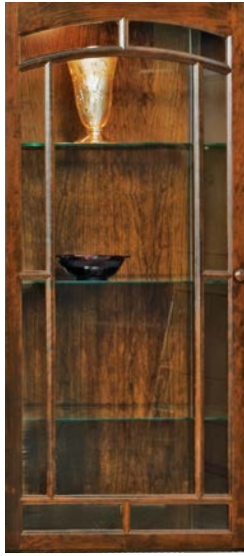
DOOR OPTIONS

Nothing gives our solid wood furniture the finishing touches like hand-applied mullions. Other insert options include speaker cloth, and clear beveled, seedy or water glass.

Mullions



MLMM



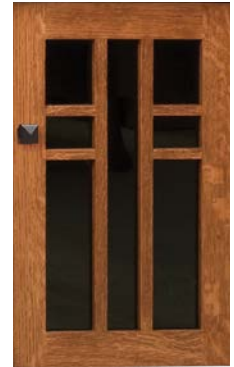
MLVS



MLHH



MLOCS



MLKS



MLAC



MLCN

Inserts



Clear beveled glass



Speaker cloth



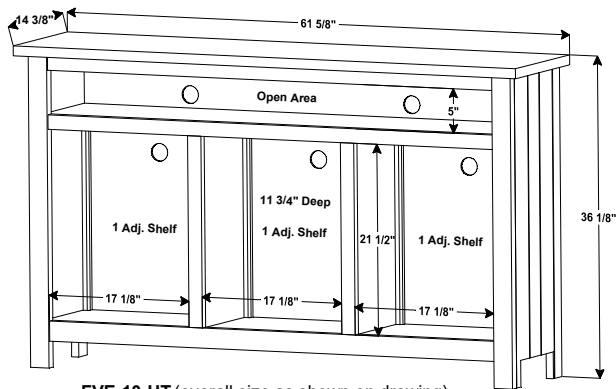
Seedy glass



Water glass

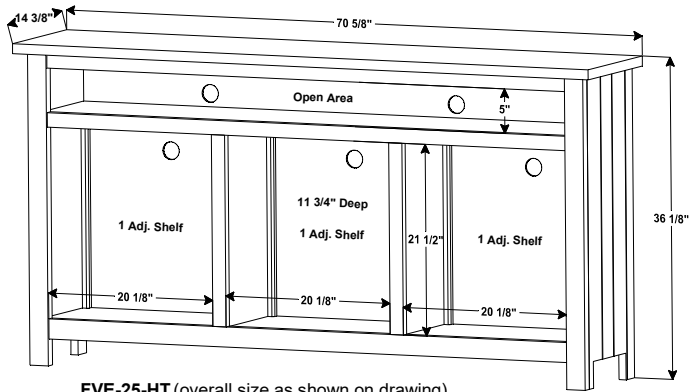
Special Note: All remotes work through glasswork on this page.

Dimensional Details | media stands, cabinets & consoles



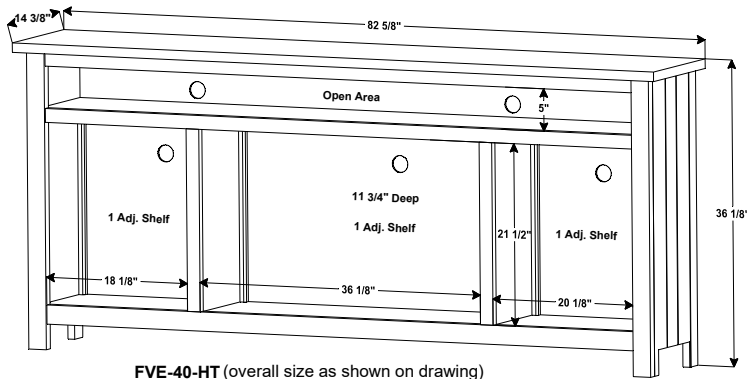
FVE-10-HT (overall size as shown on drawing)

- FVE-10-A** (overall size = 64 1/4"W x 14 7/8"D x 39 1/4"H)
- FVE-10-BC** (overall size = 62 3/8"W x 15"D x 36"H)
- FVE-10-D** (overall size = 61 5/8"W x 14"D x 35 7/8"H)
- FVE-10-EN** (overall size = 64 7/8"W x 14 1/2"D x 38"H)
- FVE-10-LA** (overall size = 63 5/8"W x 15 1/2"D x 36"H)



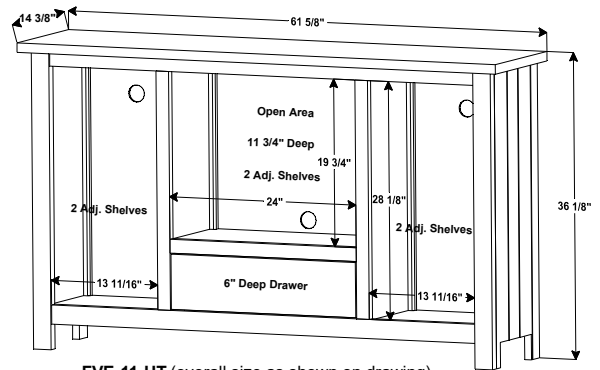
FVE-25-HT (overall size as shown on drawing)

- FVE-25-A** (overall size = 73 1/4"W x 14 7/8"D x 39 1/4"H)
- FVE-25-BC** (overall size = 71 3/8"W x 15"D x 36"H)
- FVE-25-D** (overall size = 70 5/8"W x 14"D x 35 7/8"H)
- FVE-25-EN** (overall size = 73 7/8"W x 14 1/2"D x 38"H)
- FVE-25-LA** (overall size = 72 5/8"W x 15 1/2"D x 36"H)



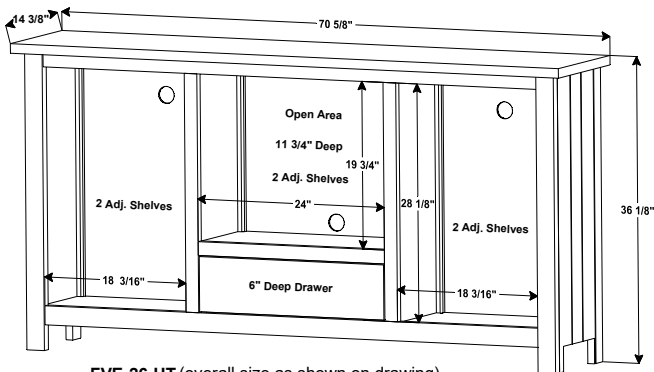
FVE-40-HT (overall size as shown on drawing)

- FVE-40-A** (overall size = 85 1/4"W x 14 7/8"D x 39 1/4"H)
- FVE-40-BC** (overall size = 83 3/8"W x 15"D x 36"H)
- FVE-40-D** (overall size = 82 5/8"W x 14"D x 35 7/8"H)
- FVE-40-EN** (overall size = 85 7/8"W x 14 1/2"D x 38"H)
- FVE-40-LA** (overall size = 84 5/8"W x 15 1/2"D x 36"H)



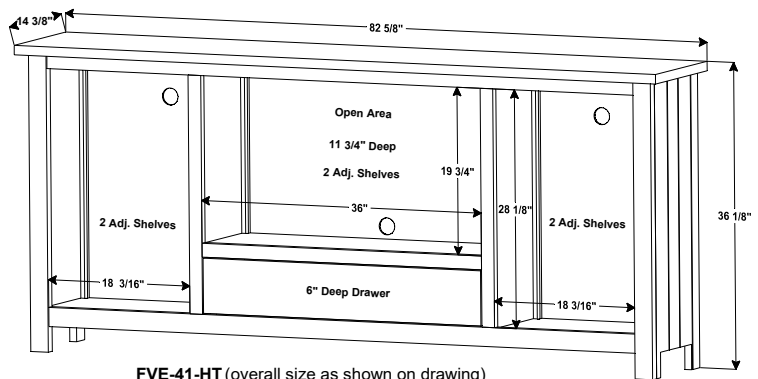
FVE-11-HT (overall size as shown on drawing)

- FVE-11-A** (overall size = 64 1/4"W x 14 7/8"D x 39 1/4"H)
- FVE-11-BC** (overall size = 62 3/8"W x 15"D x 36"H)
- FVE-11-D** (overall size = 61 5/8"W x 14"D x 35 7/8"H)
- FVE-11-EN** (overall size = 64 7/8"W x 14 1/2"D x 38"H)
- FVE-11-HA** (overall size = 62 5/8"W x 17 1/4"D x 39 3/8"H)
- FVE-11-LA** (overall size = 63 5/8"W x 15 1/2"D x 36"H)



FVE-26-HT (overall size as shown on drawing)

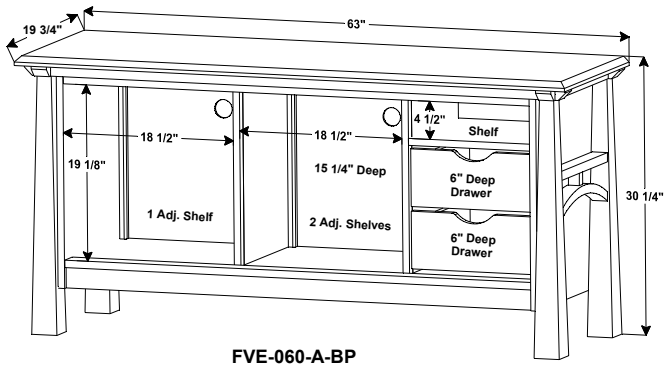
- FVE-26-A** (overall size = 73 1/4"W x 14 7/8"D x 39 1/4"H)
- FVE-26-BC** (overall size = 71 3/8"W x 15"D x 36"H)
- FVE-26-CN** (overall size = 69 5/8"W x 15"D x 36"H)
- FVE-26-D** (overall size = 70 5/8"W x 14"D x 35 7/8"H)
- FVE-26-EN** (overall size = 73 7/8"W x 14 1/2"D x 38"H)
- FVE-26-HA** (overall size = 71 5/8"W x 17 1/4"D x 39 3/8"H)
- FVE-26-LA** (overall size = 72 5/8"W x 15 1/2"D x 36"H)



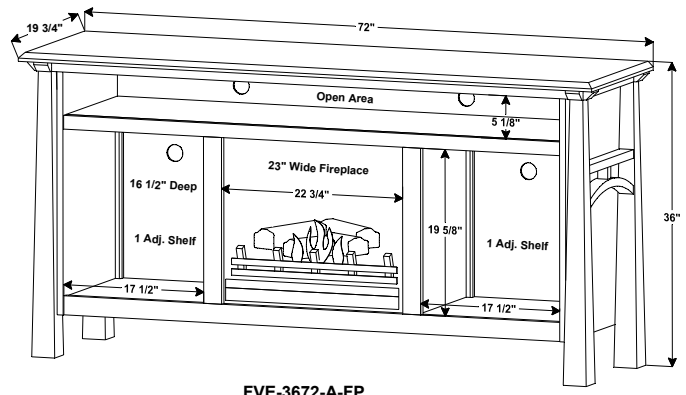
FVE-41-HT (overall size as shown on drawing)

- FVE-41-A** (overall size = 85 1/4"W x 14 7/8"D x 39 1/4"H)
- FVE-41-BC** (overall size = 83 3/8"W x 15"D x 36"H)
- FVE-41-D** (overall size = 82 5/8"W x 14"D x 35 7/8"H)
- FVE-41-EN** (overall size = 85 7/8"W x 14 1/2"D x 38"H)
- FVE-41-HA** (overall size = 83 5/8"W x 17 1/4"D x 39 3/8"H)
- FVE-41-LA** (overall size = 84 5/8"W x 15 1/2"D x 36"H)

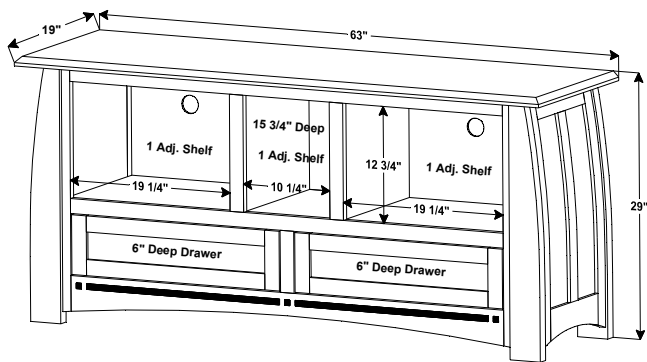
Dimensional Details | media stands, cabinets & consoles



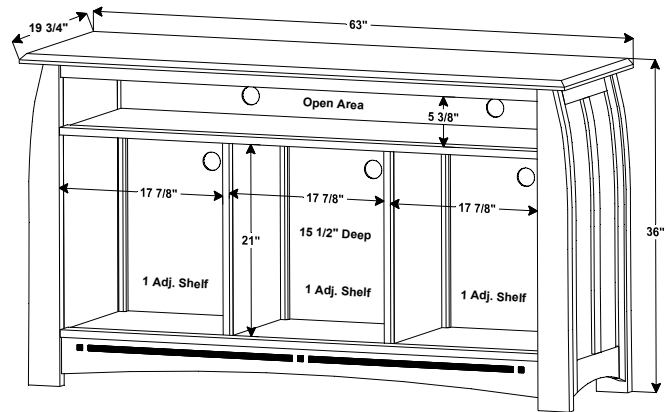
FVE-060-A-BP



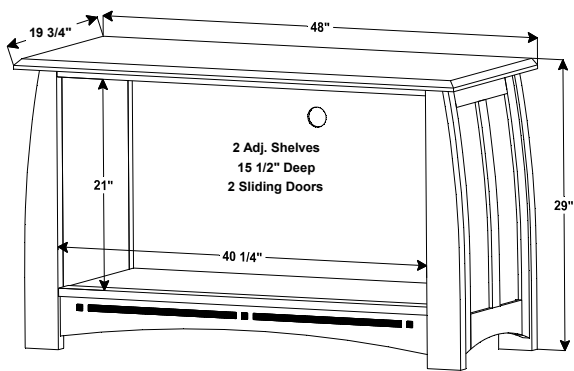
FVE-3672-A-FP



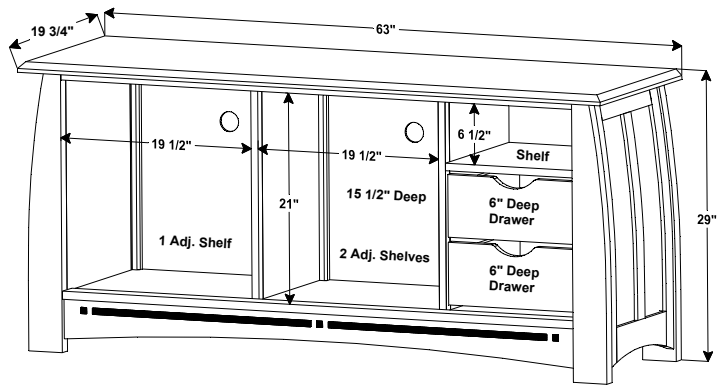
FVE-032-BC-BP



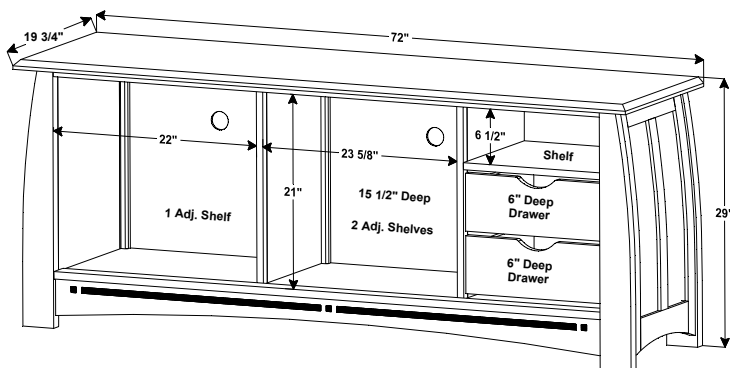
FVE-060-BC36



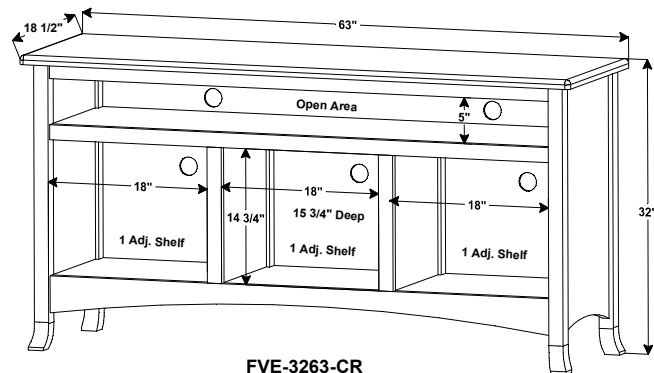
FVE-048-BC



FVE-060-BC-BP



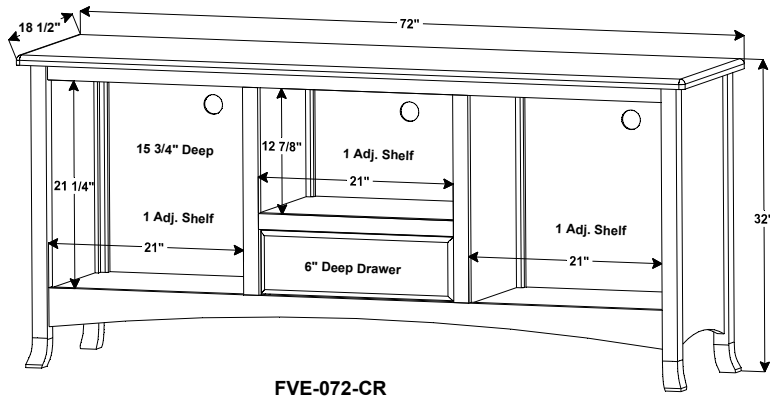
FVE-072-BC-BP



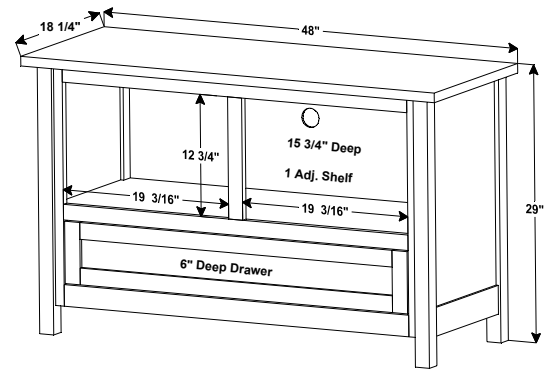
FVE-3263-CR

DIMENSIONAL DETAILS

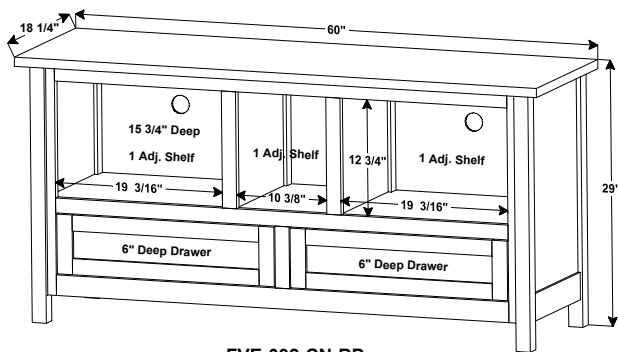
Dimensional Details | media stands, cabinets & consoles



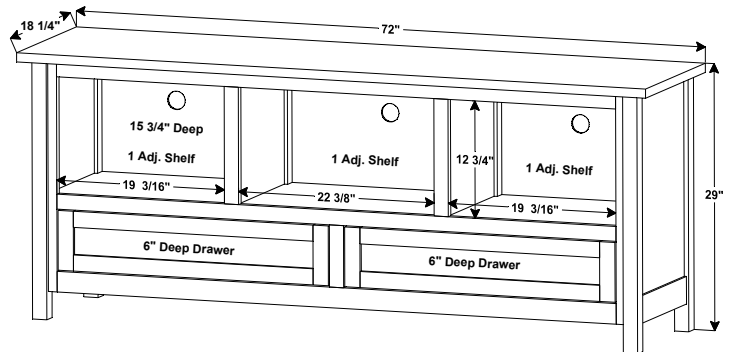
FVE-072-CR



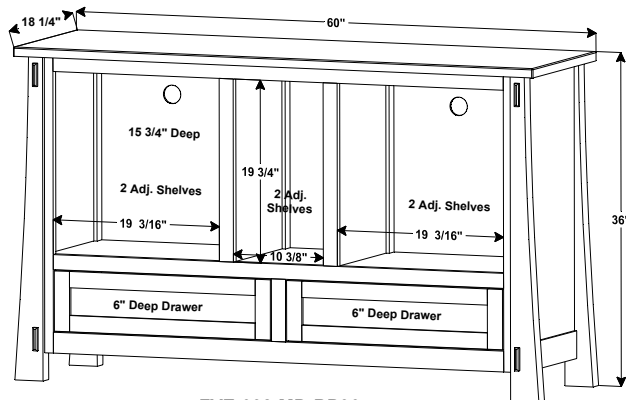
FVE-031-CN
FVE-031-CB (top size = 18 3/4 D x 49 1/4 W)
FVE-031-MD; FVE-031-WL



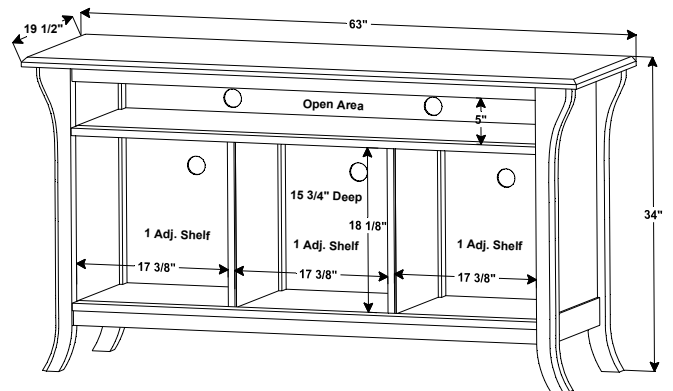
FVE-032-CN-BP
FVE-032-CB-BP (top size = 18 3/4 D x 61 1/4 W)
FVE-032-MD-BP; FVE-032-WL-BP



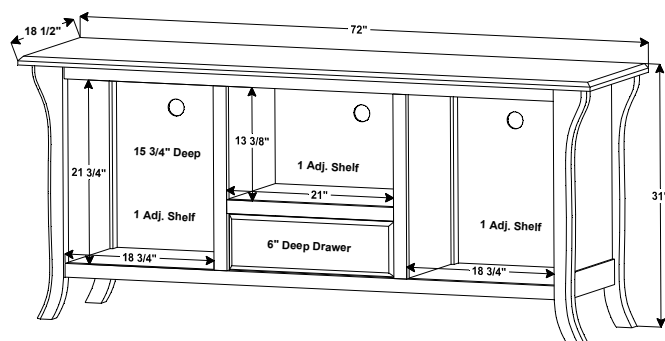
FVE-072-CN-BP
FVE-072-CB-BP (top size = 18 3/4 D x 73 1/4 W)
FVE-072-MD-BP; FVE-072-WL-BP



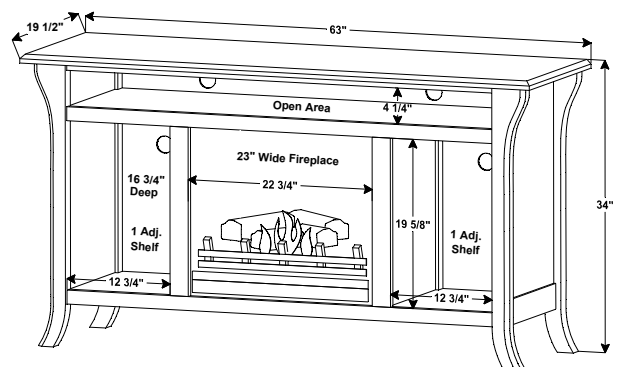
FVE-032-MD-BP36



FVE-3463-EN

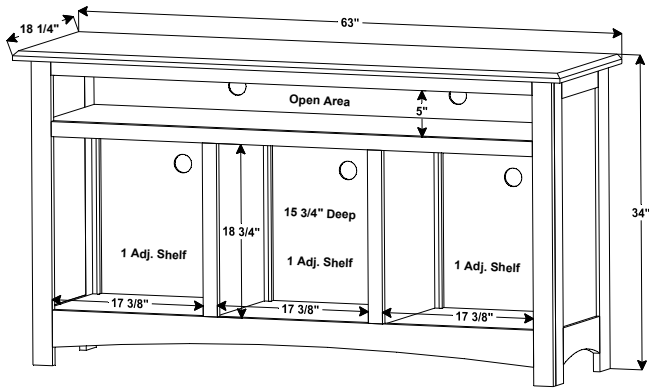


FVE-072-EN

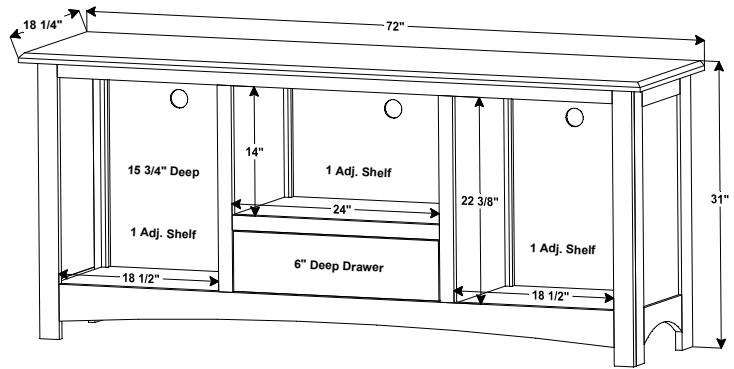


FVE-3463-EN-FP

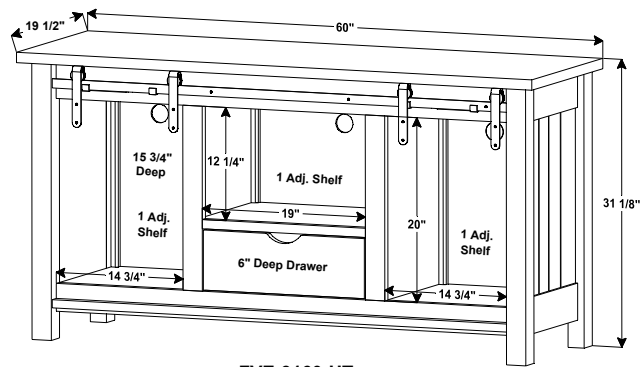
Dimensional Details | media stands, cabinets & consoles



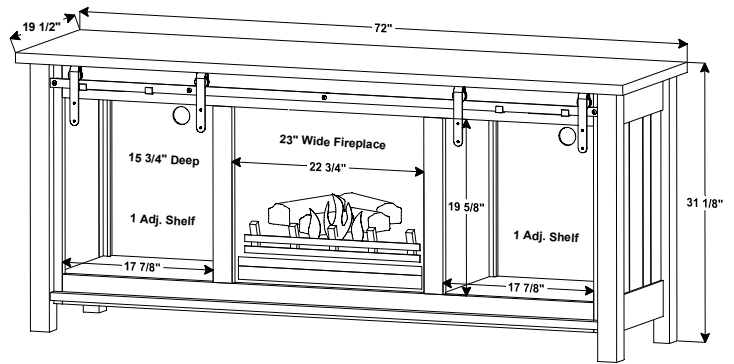
FVE-3463-FL



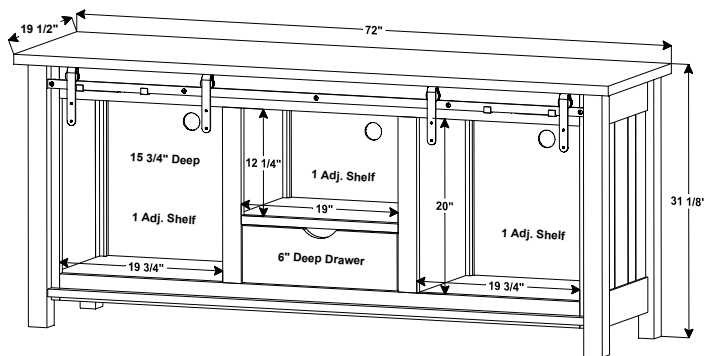
FVE-072-FL



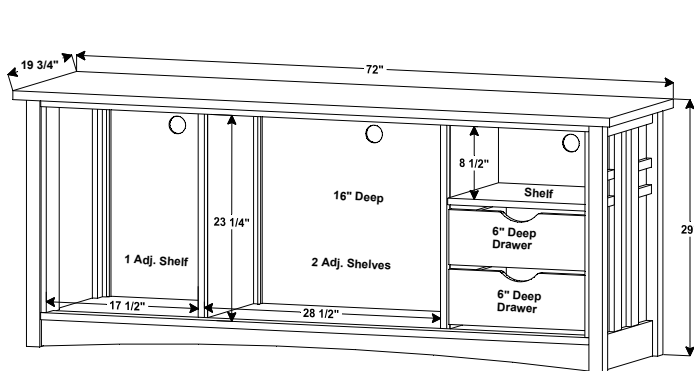
FVE-3160-HT
FVE-3160-TB



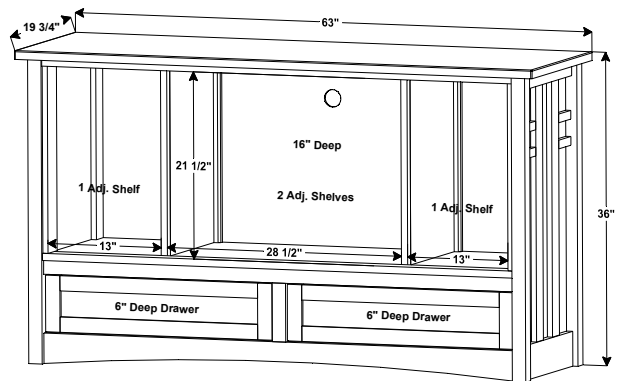
FVE-3172-HT-FP



FVE-3172-HT
FVE-3172-TB

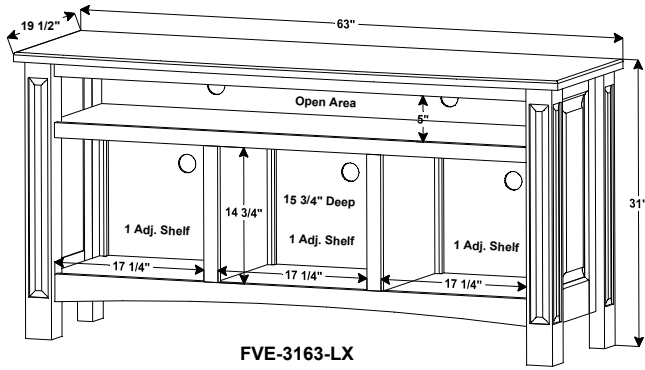


FVE-072-KS-BP

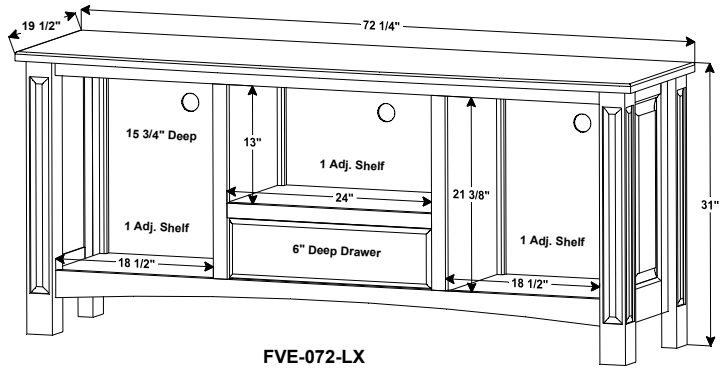


FVE-3663-KS-BP

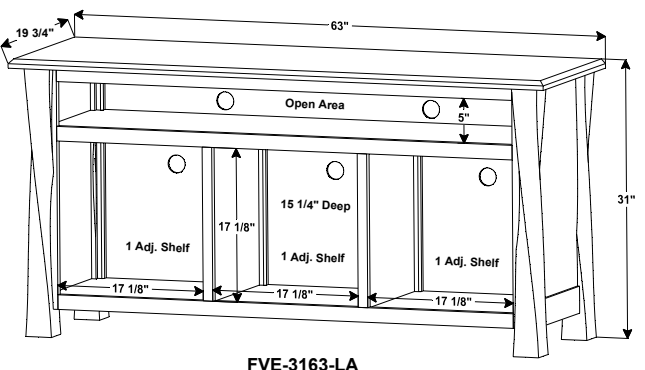
Dimensional Details | media stands, cabinets & consoles



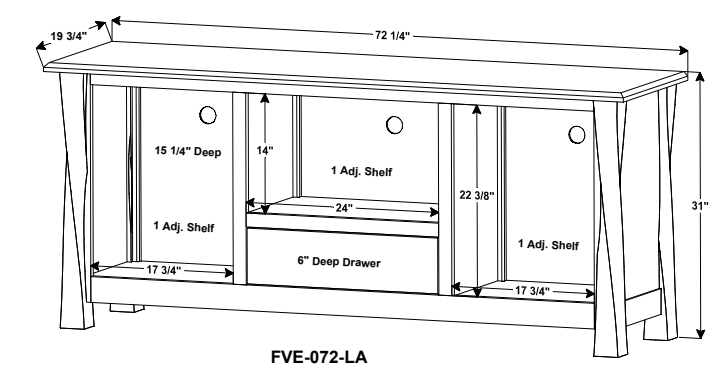
FVE-3163-LX



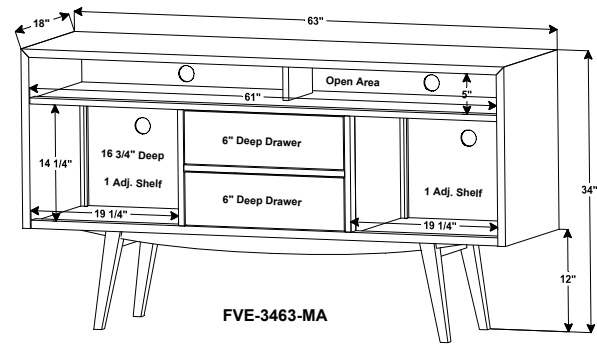
FVE-072-LX



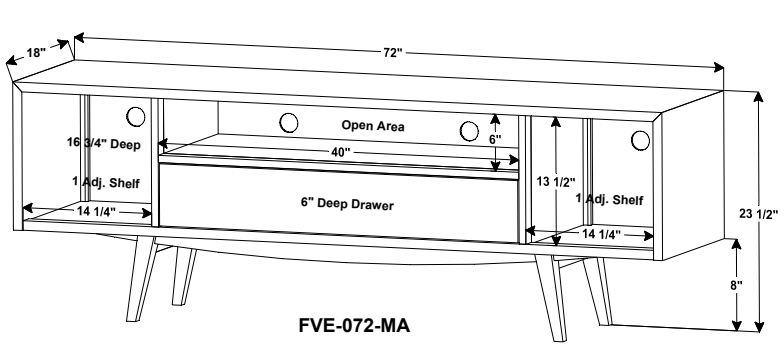
FVE-3163-LA



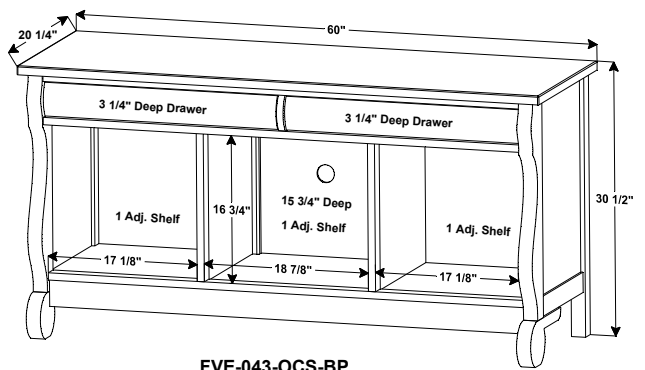
FVE-072-LA



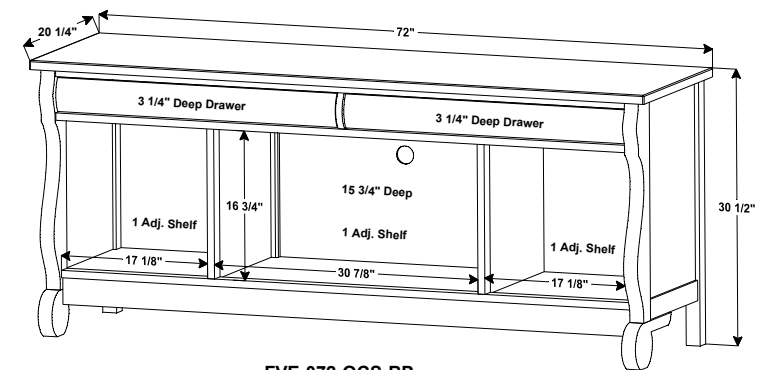
FVE-3463-MA



FVE-072-MA

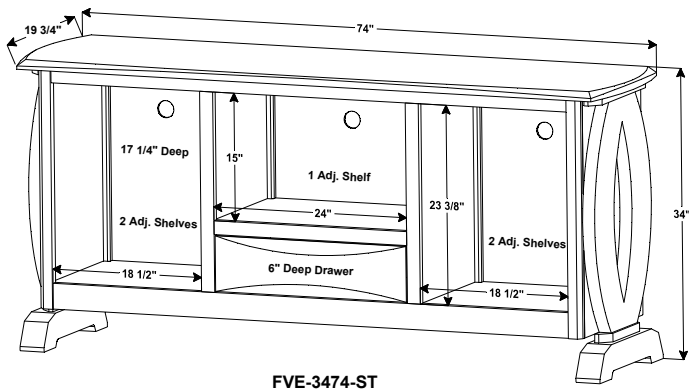


FVE-043-OCS-BP

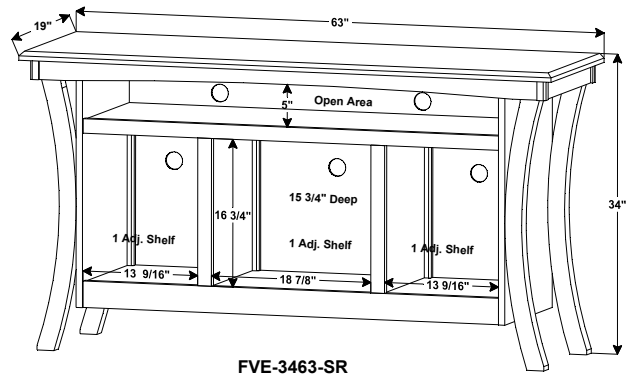


FVE-072-OCS-BP

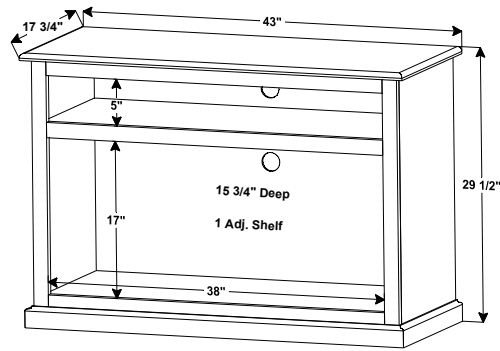
Dimensional Details | media stands, cabinets & consoles



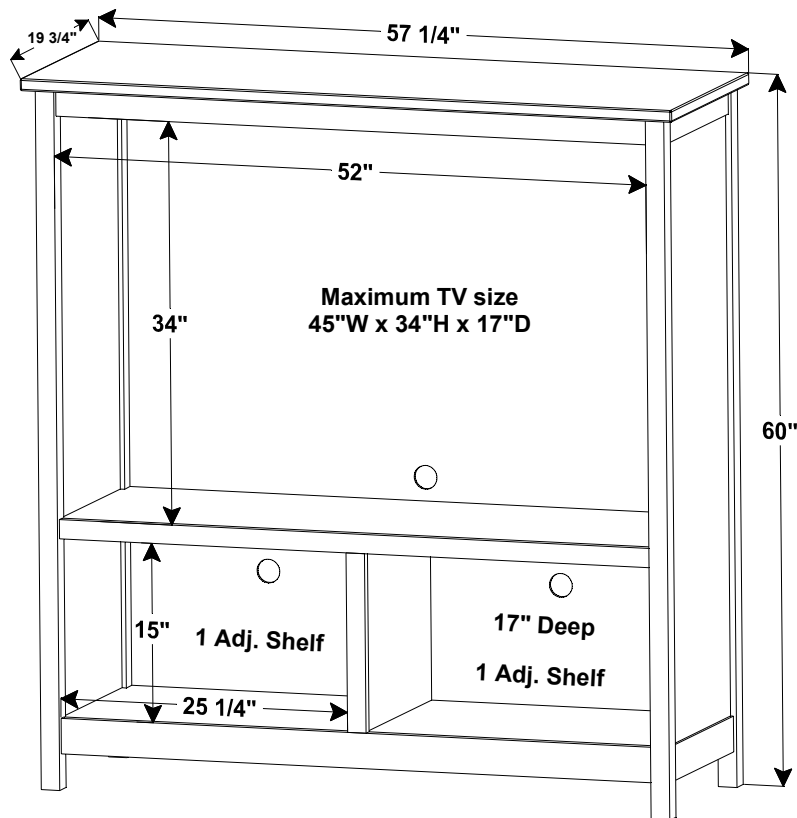
FVE-3474-ST



FVE-3463-SR

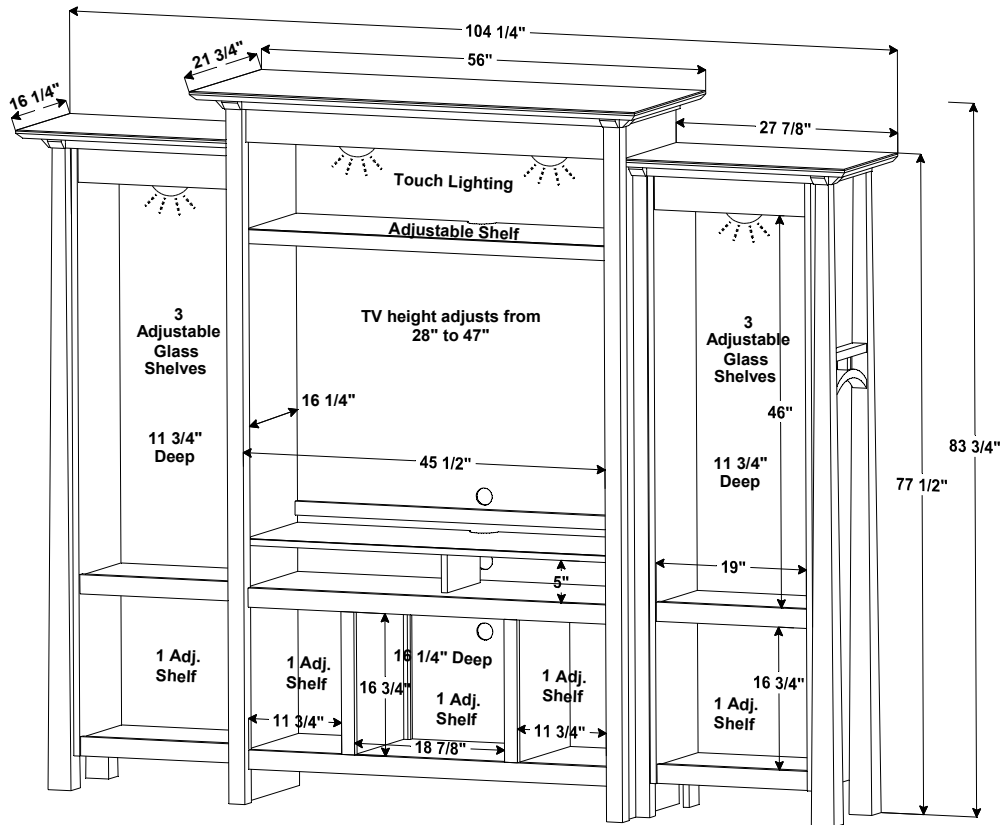


FVE-024-C-XL



FVE-05-CN
TV sits 21¼" off the floor

Dimensional Details | media wall units



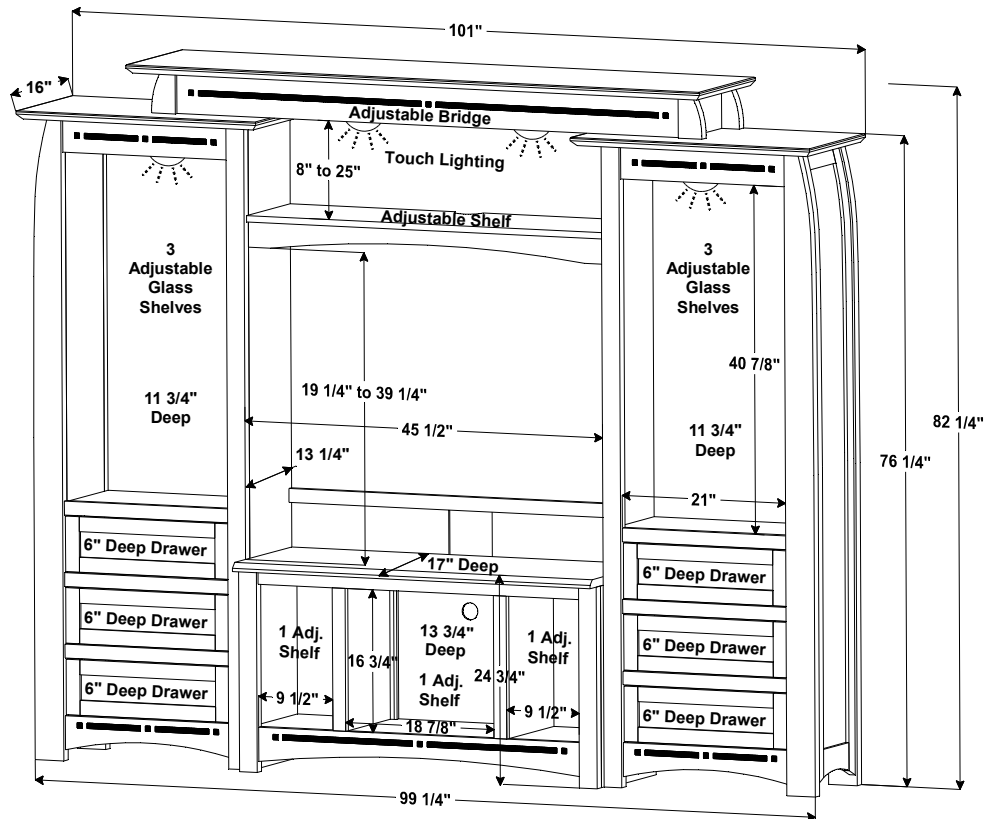
FVE-193-A

TV sits 31" off the floor

Shown in 45 1/2" TV width

Available in 50 1/2", 55 1/2", 60 1/2" TV widths

For wider widths - center door stays constant, side doors get wider



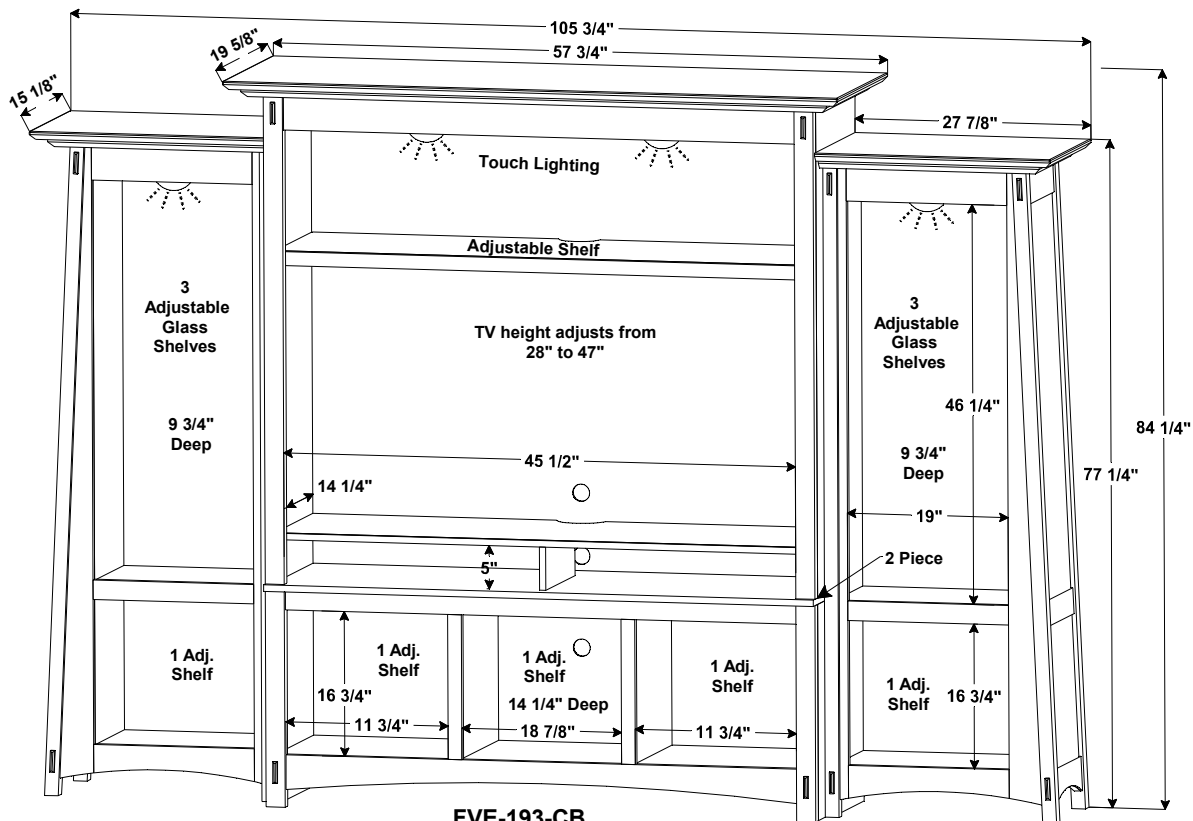
FVE-049-BC

Shown in 45 1/2" TV width

Available in 50 1/2", 55 1/2", 60 1/2", 68 1/2" TV widths

For wider widths - center door stays constant, side doors get wider

Dimensional Details | media wall units



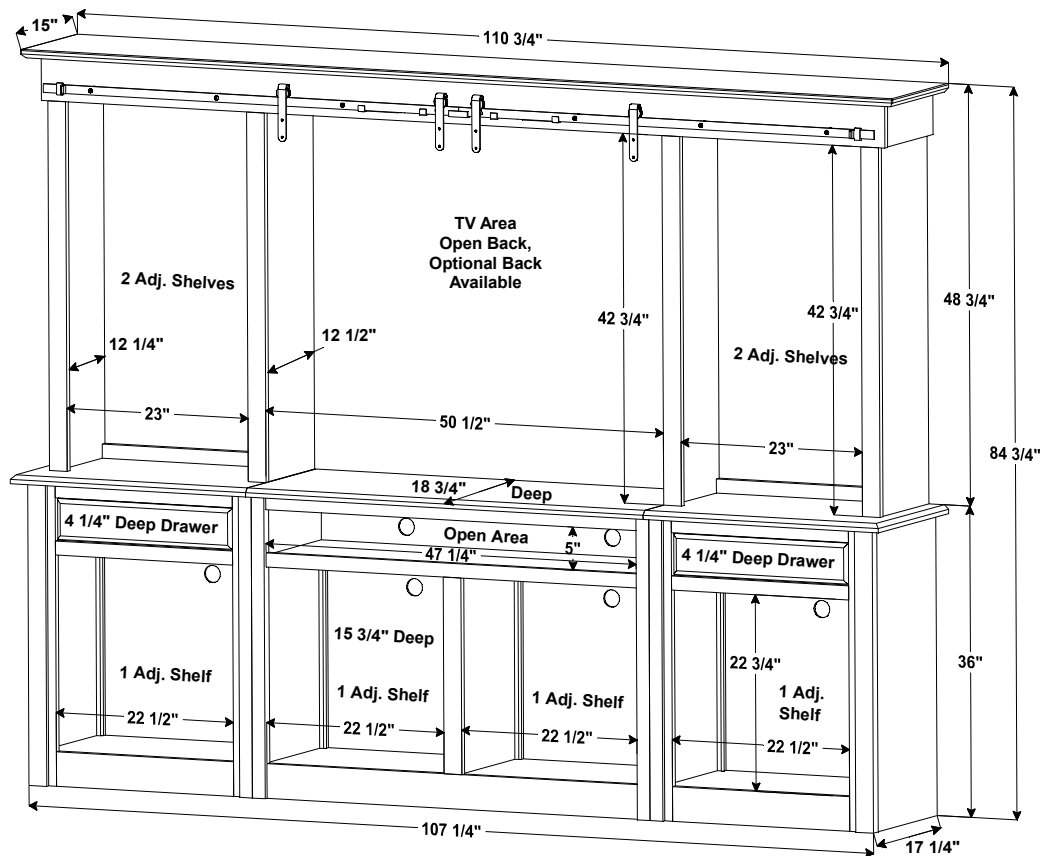
FVE-193-CB

TV sits 31" off the floor

Shown in 45 1/2" TV width

Available in 50 1/2", 55 1/2", 60 1/2", TV widths

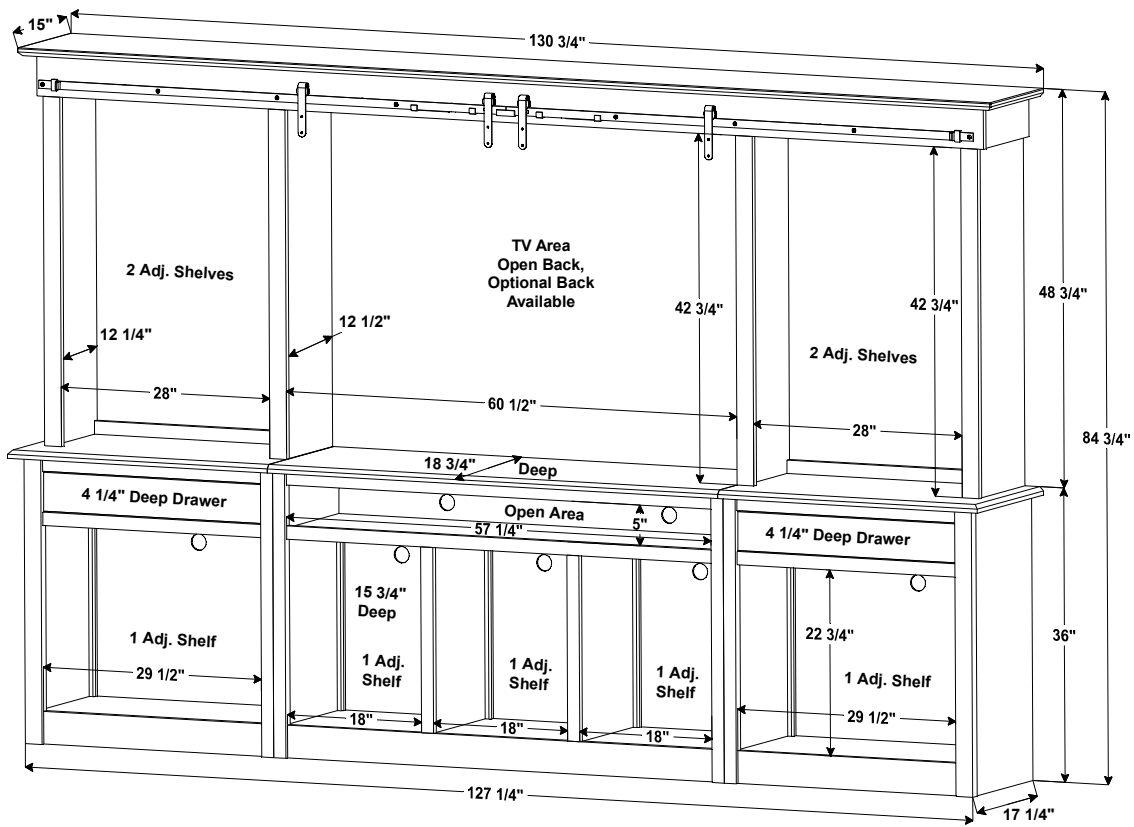
For wider widths - center door stays constant, side doors get wider



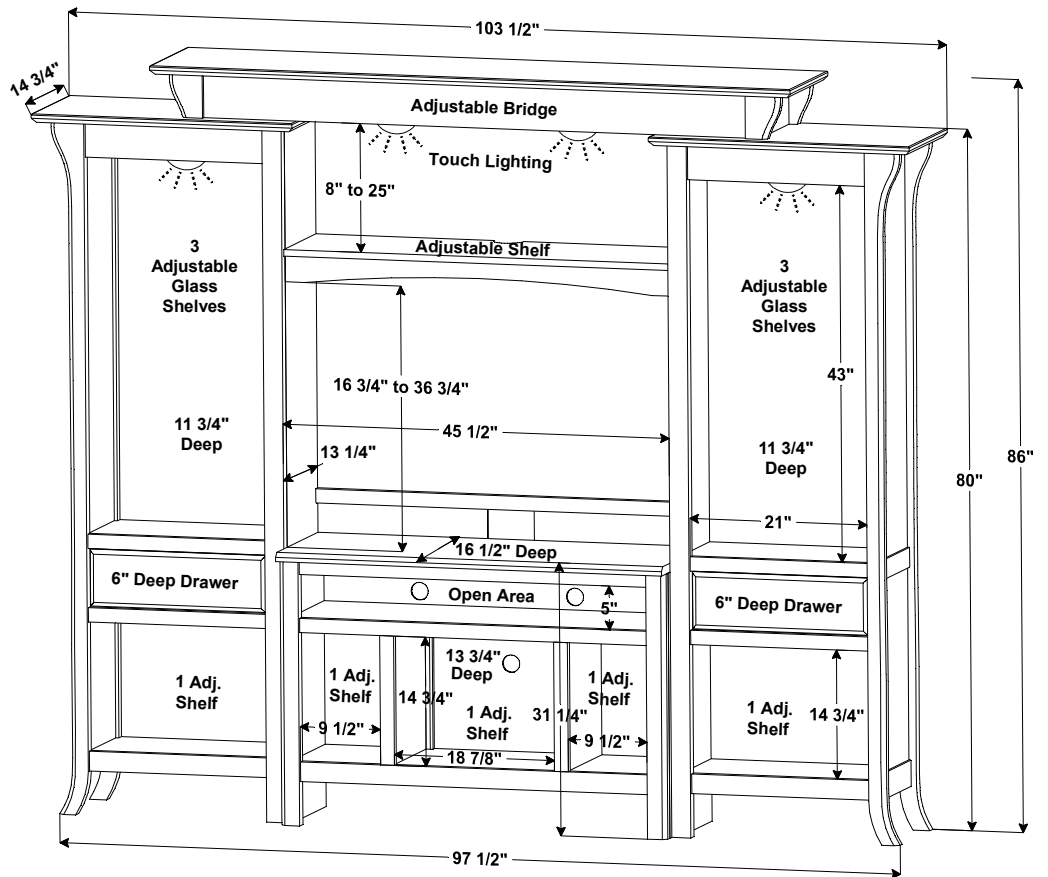
FVE-85110-EN / FVE-85110-TB

FVE-36110-EN / FVE-36110-TB (base only)

Dimensional Details | media wall units



FVE-85130-EN / FVE-85130-TB



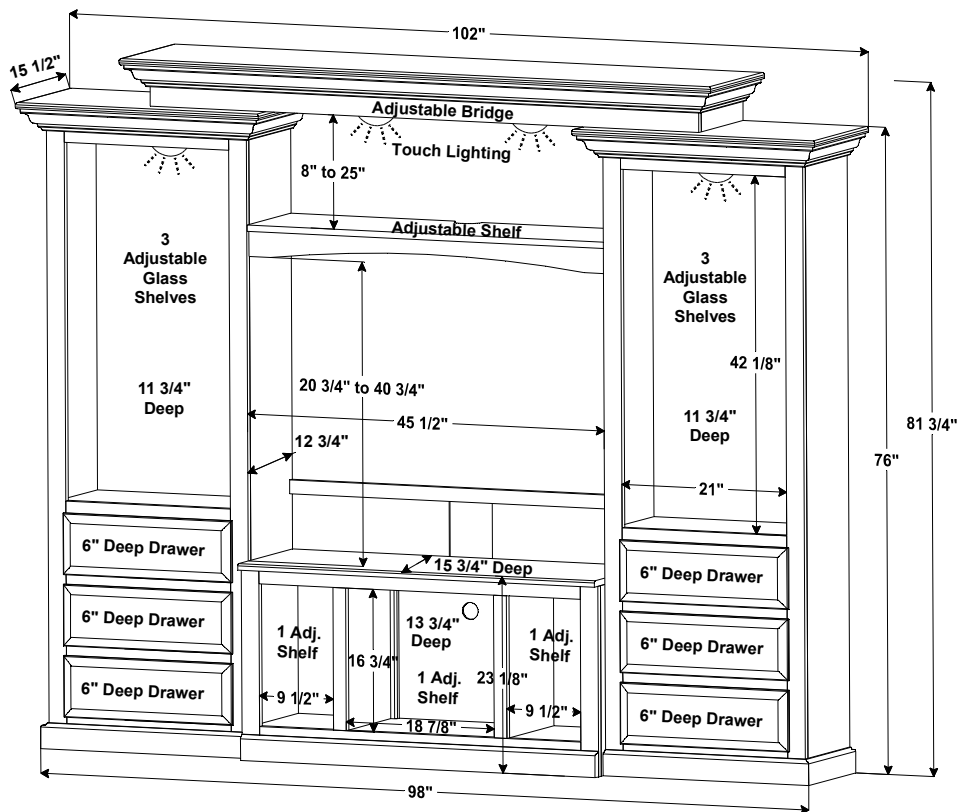
FVE-058-EN

Shown in 45 1/2" TV width

Available in 50 1/2", 55 1/2", 60 1/2", 68 1/2" TV widths

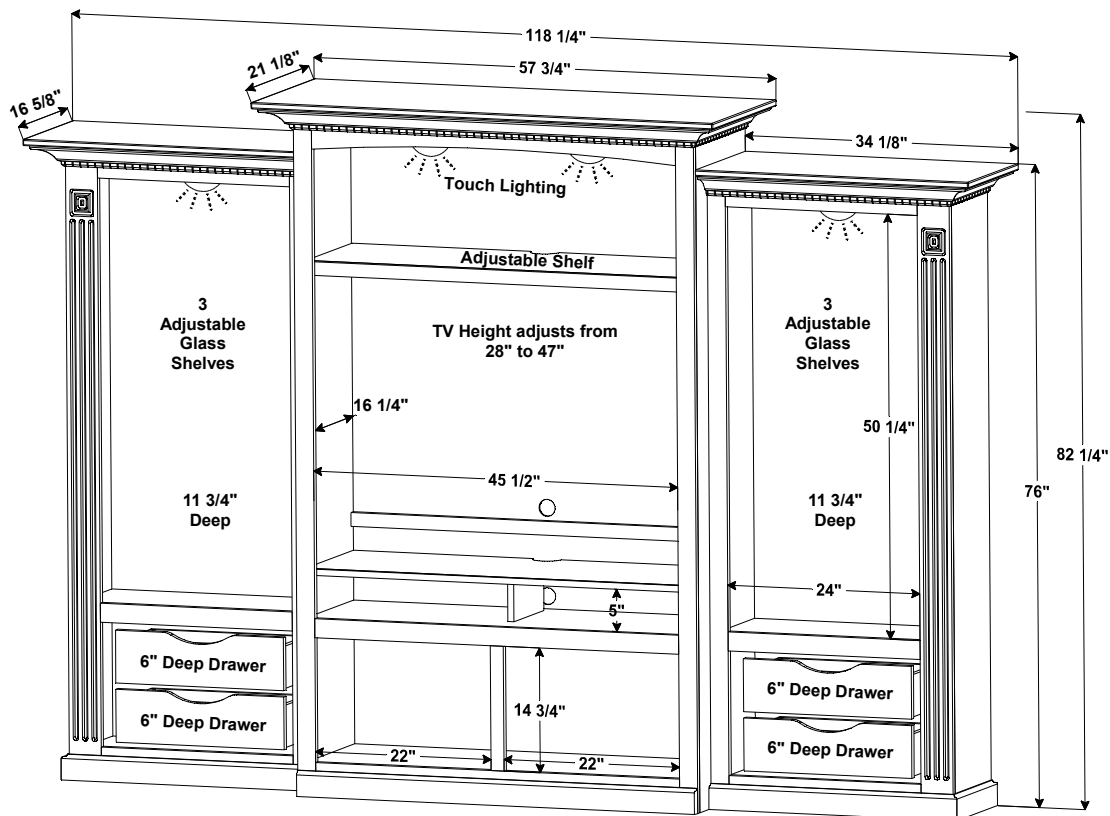
For wider widths - center door stays constant, side doors get wider

Dimensional Details | media wall units



FVE-049-HH

Shown in 45 1/2" TV width
 Available in 50 1/2", 55 1/2", 60 1/2", 68 1/2" TV widths
 For wider widths - center door stays constant, side doors get wider

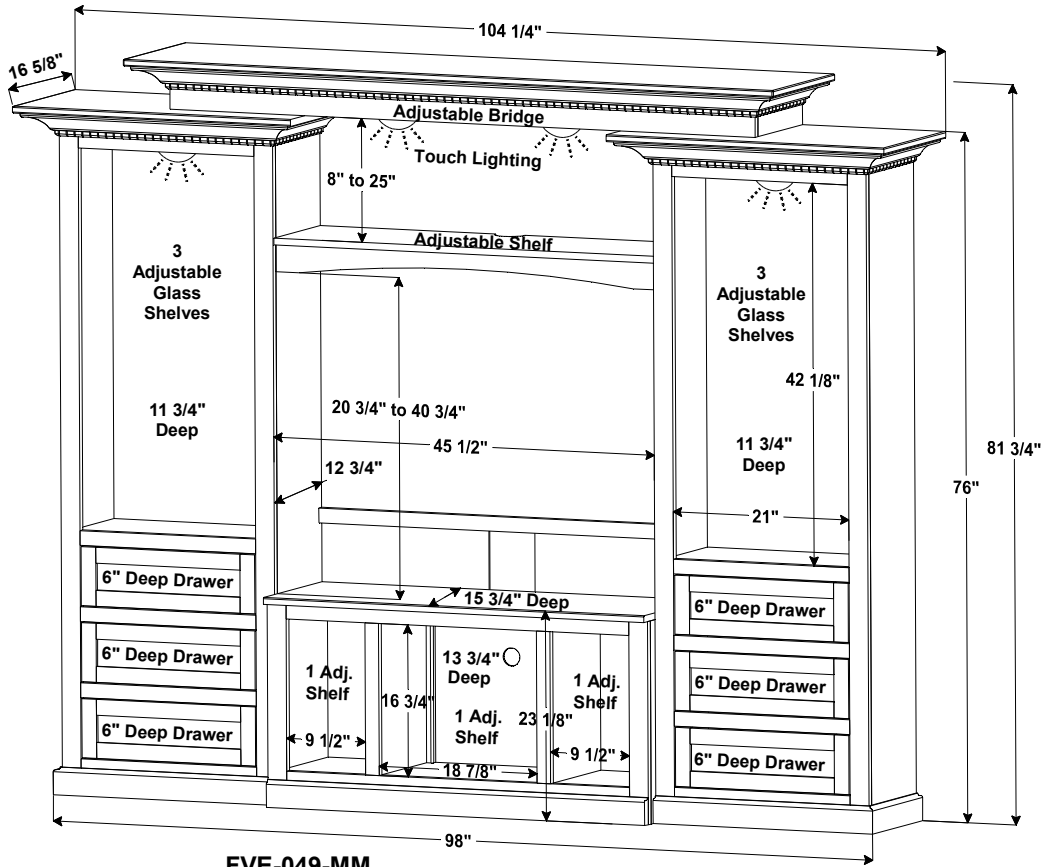


FVE-193-MM

TV sits 26 3/4" off the floor

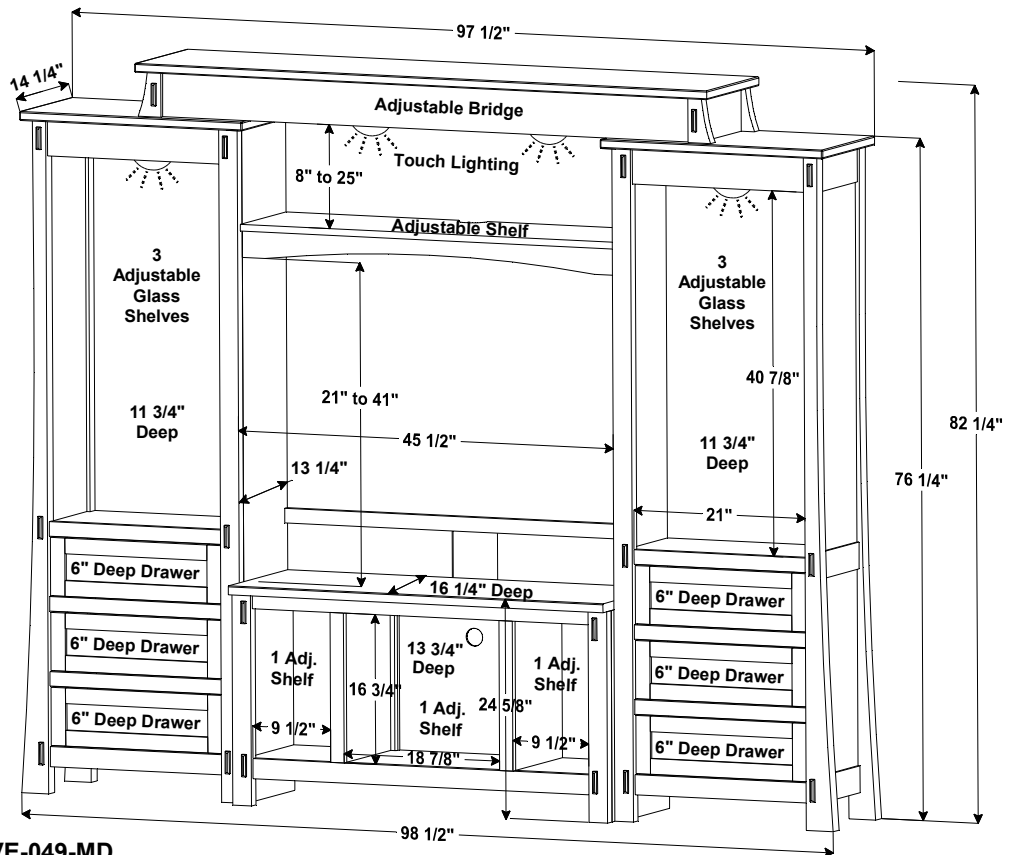
Shown in 45 1/2" TV width
 Available in 50 1/2", 55 1/2", 60 1/2" TV widths

Dimensional Details | media wall units



FVE-049-MM

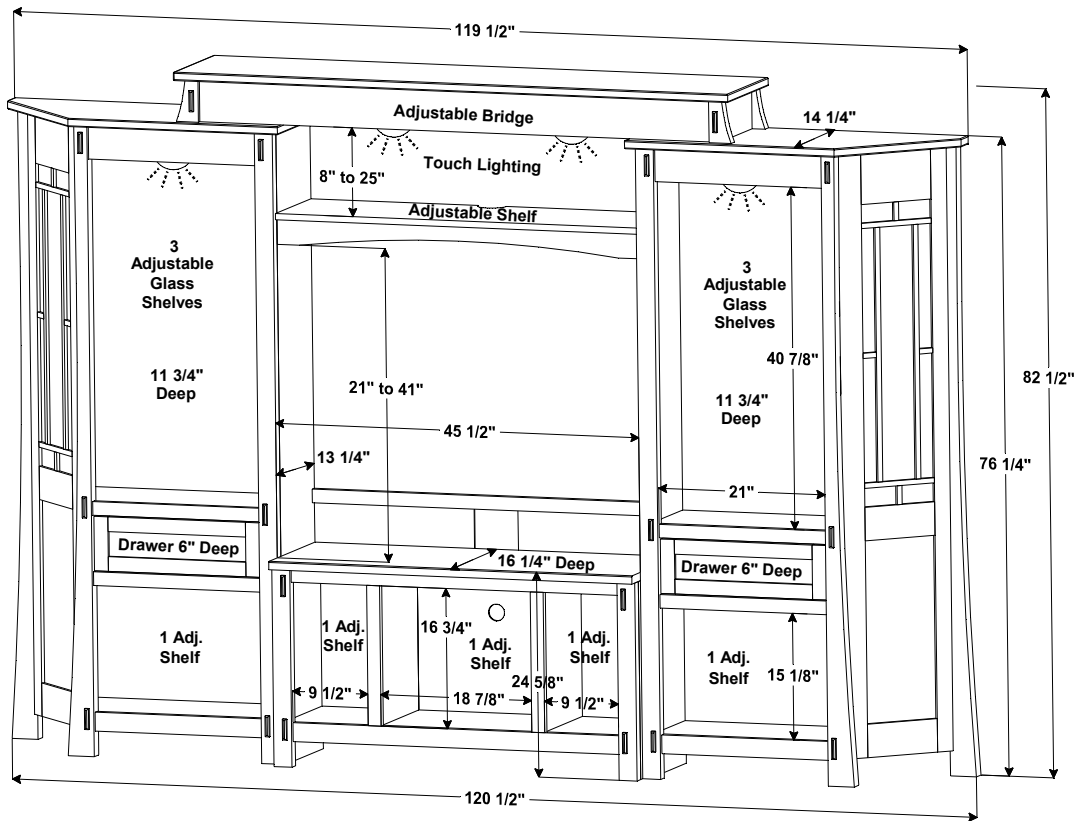
Shown in 45 1/2" TV width
 Available in 50 1/2", 55 1/2", 60 1/2", 68 1/2" TV widths
 For wider widths - center door stays constant, side doors get wider



FVE-049-MD

Shown in 45 1/2" TV width
 Available in 50 1/2", 55 1/2", 60 1/2", 68 1/2" TV widths
 For wider widths - center door stays constant, side doors get wider

Dimensional Details | media wall units

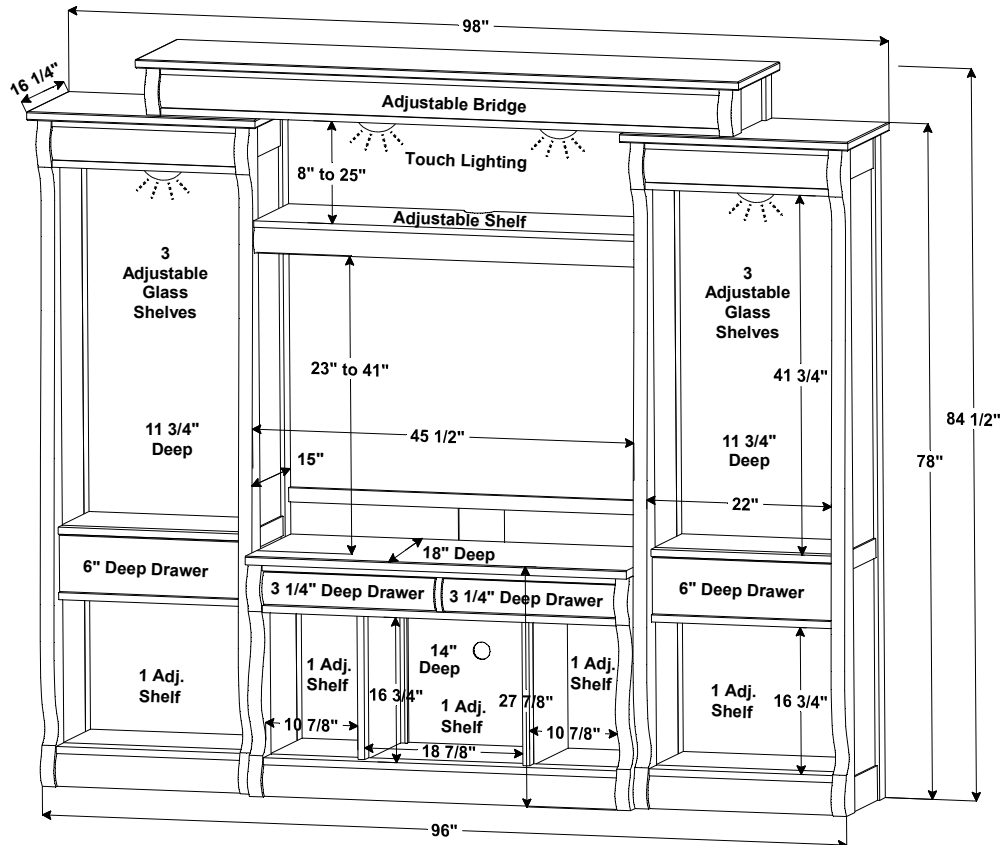


FVE-051-MD

Shown in 45 1/2" TV width

Available in 50 1/2", 55 1/2", 60 1/2", 68 1/2" TV widths

For wider widths - center door stays constant, side doors get wider



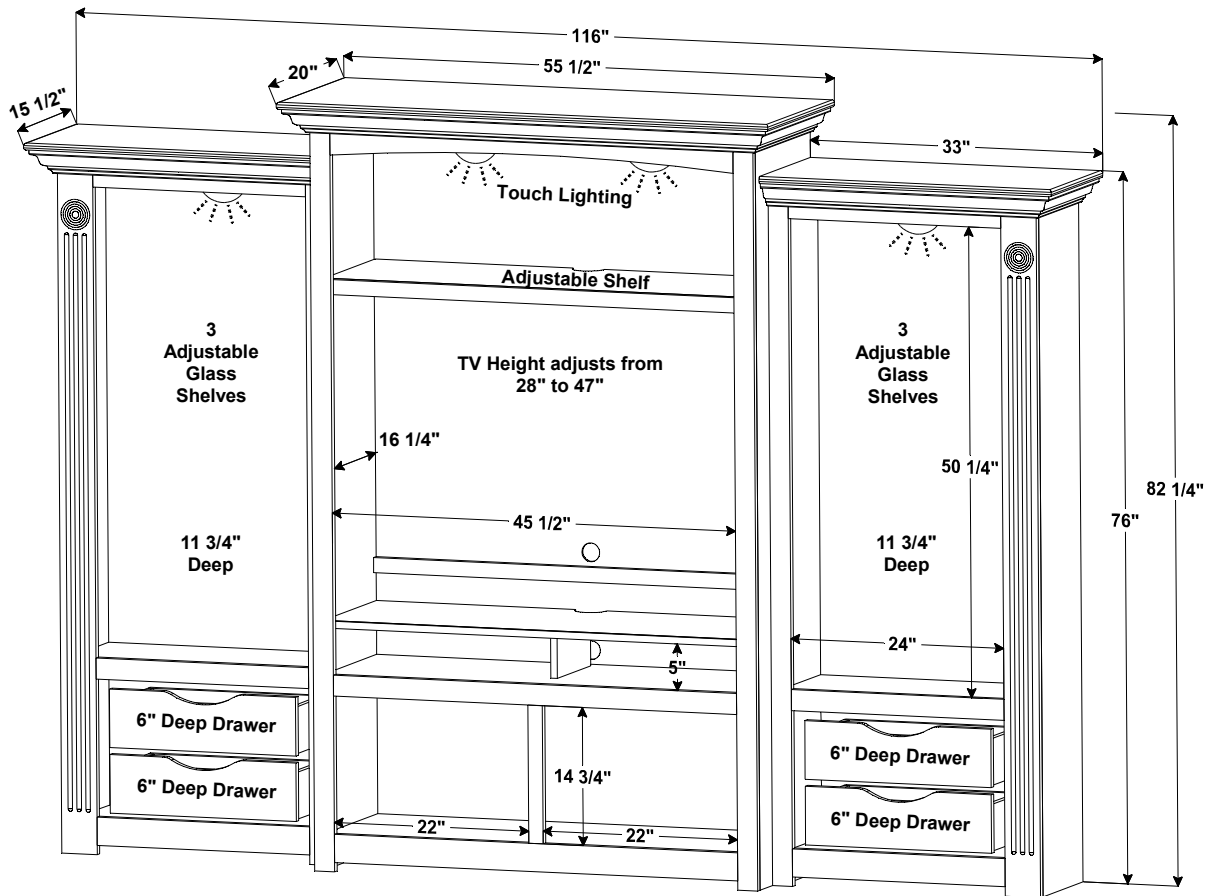
FVE-058-OCS

Shown in 45 1/2" TV width

Available in 50 1/2", 55 1/2", 60 1/2", 68 1/2" TV widths

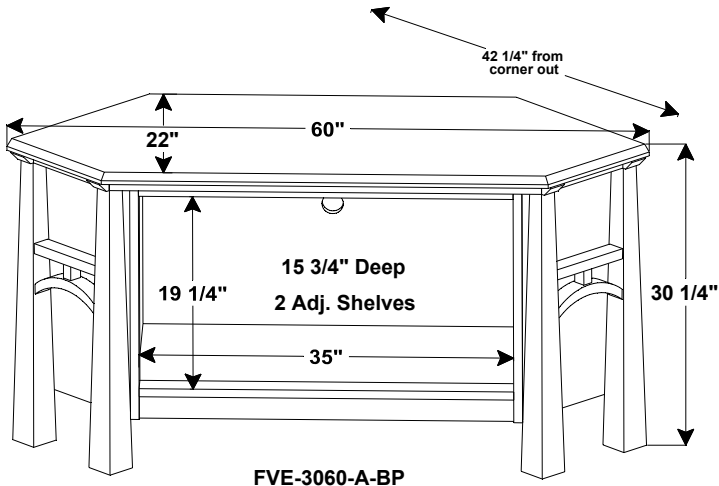
For wider widths - center door stays constant, side doors get wider

Dimensional Details | media wall units

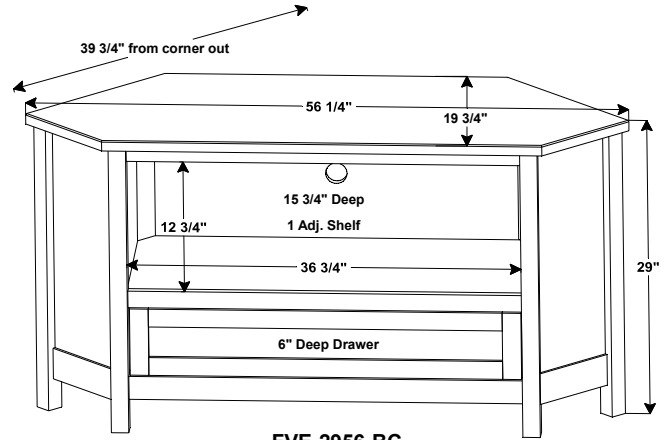


FVE-193-VS
 TV sits 26 3/4" off the floor
 Shown in 45 1/2" TV width
 Available in 50 1/2", 55 1/2", 60 1/2" TV widths

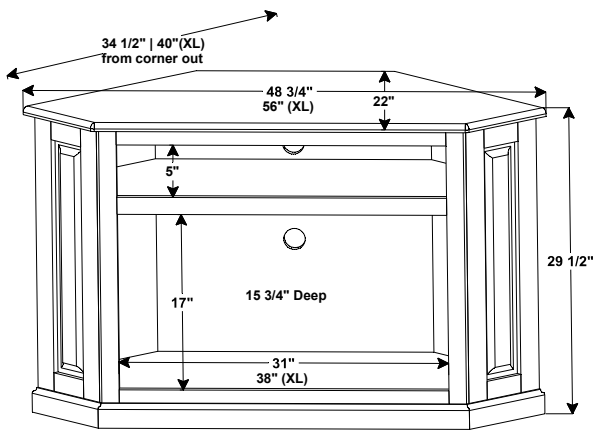
Dimensional Details | media corner consoles & hutches



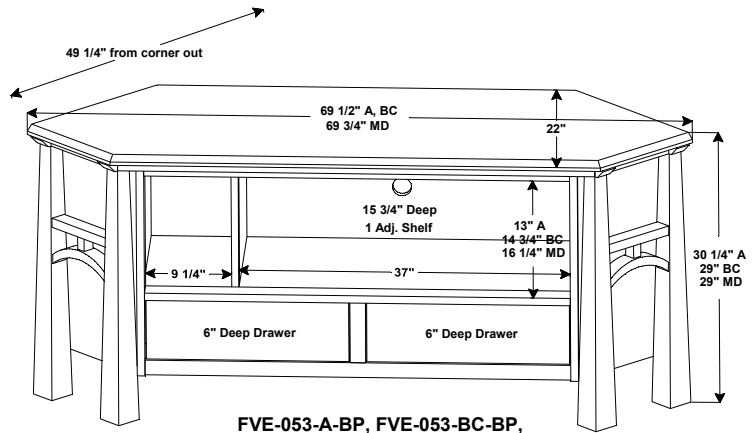
FVE-3060-A-BP



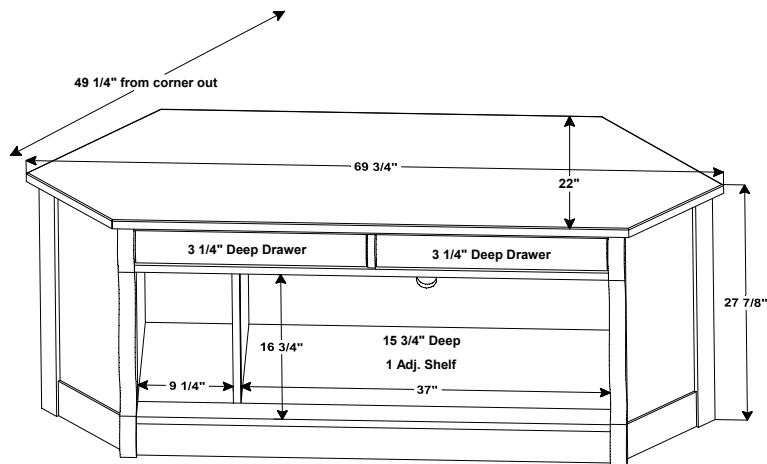
FVE-2956-BC
FVE-2956-CN



FVE-033-C,
FVE-033-XL

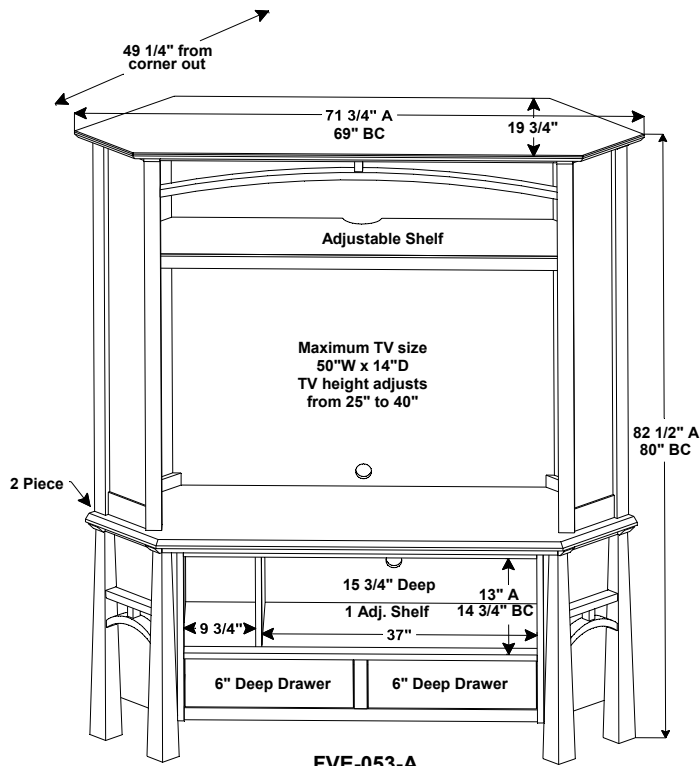


FVE-053-A-BP, FVE-053-BC-BP,
FVE-053-MD-BP

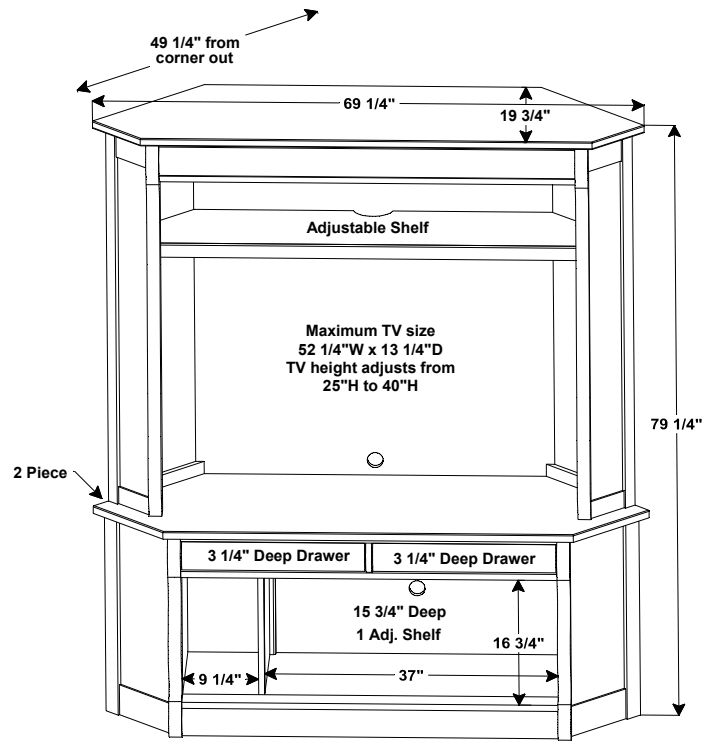


FVE-053-OCS-BP

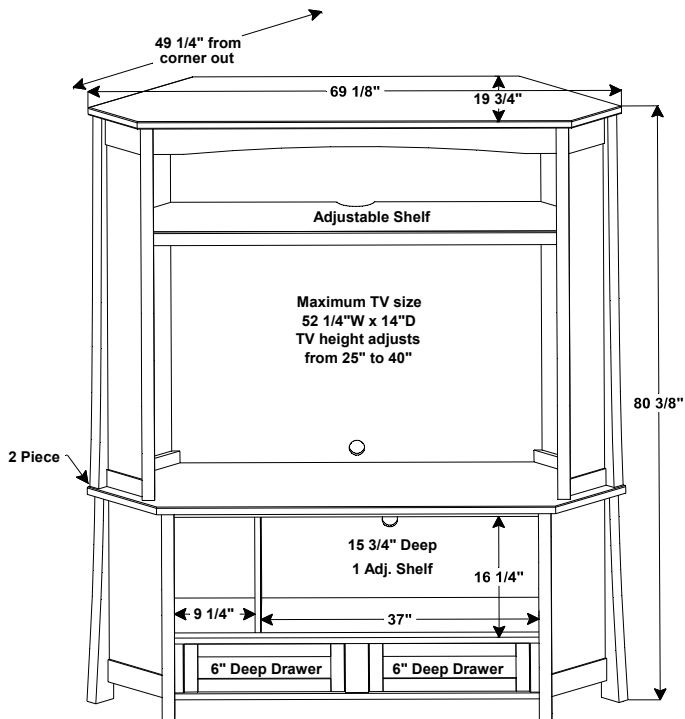
Dimensional Details | media corner consoles & hutches



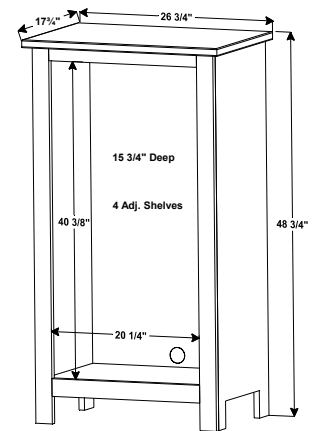
FVE-053-A
Base only 69 1/2" W x 22" D x 30 1/4" H
FVE-053-BC
Base only 69 1/2" W x 22" D x 29" H



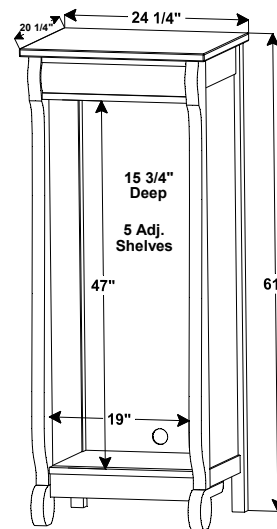
FVE-053-OCS
Base only 69 3/4" W x 22" D x 77 7/8" H



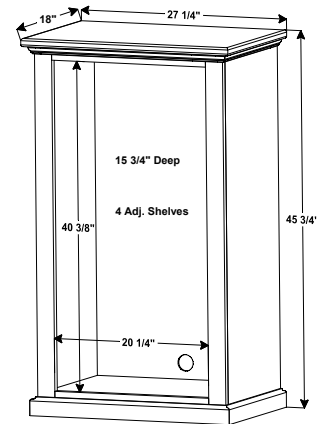
FVE-053-MD
Base only 69 3/4" W x 22" D x 29" H



FVE-026-M



FVE-026-OCS



FVE-026-C

Date _____

PO# _____

Item# _____

Wood _____

Hardware _____

Notes: _____

Customer Signature: _____



FORKS VALLEY WOODWORKING

Hand Crafted Office & Living Room Furniture

#1 Spec Sheet for Desks

Options Codes

- G = WG (Grommet)
- P = TV 2802 (Power Station)
- D = Dock-702-BK (Power Station)
- C = Dock 950 (Phone Charger)
- M = MPSPC (Motorized Power Station)

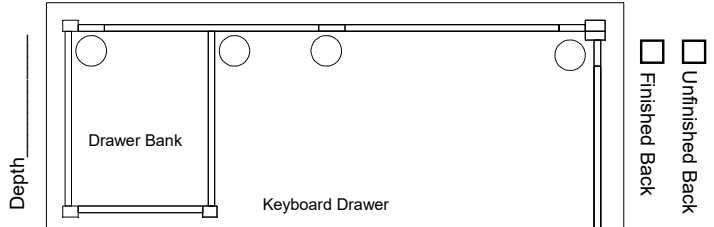
- Leather Inserts in Desk top
 - Texas Black
 - Fossil Mushroom

- Dock-5-BK (in kneehole area only)
 - Left Wing (if L Desk)
 - Right Wing (if L Desk)
 - Left (Kneehole)
 - Center (Kneehole)
 - Right (Kneehole)

Unfinished Back

Finished Back

Width _____



For FVD-6660L

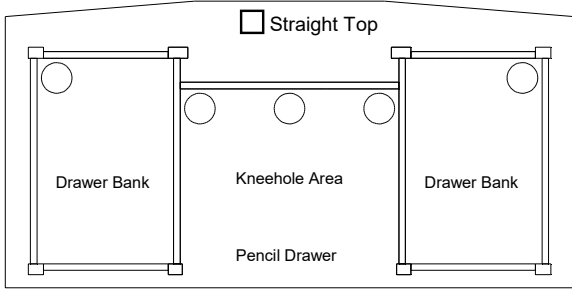
Reverse Desk Layout

Unfinished Back

Finished Back

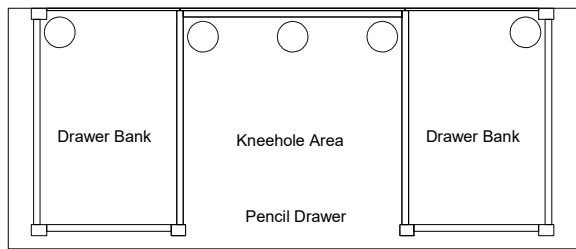
Depth _____

Width _____



FVD-3365 and FVD-3371

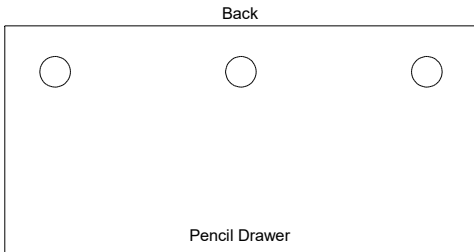
No Grommets or Power Stations in Drawer Banks for FVD-3371-S/S
Keyboard Drawer on FVD-3371-S/S



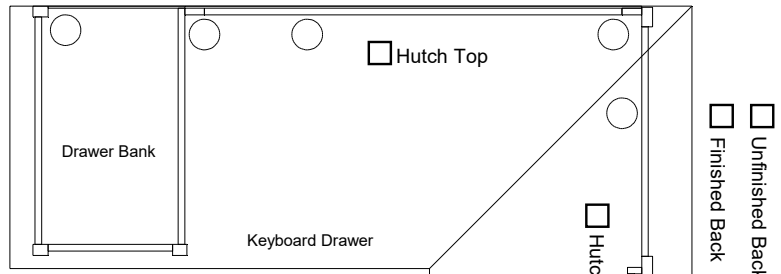
FVD-2865

TVSP3802-F (in back skirt board)

Left Center Right

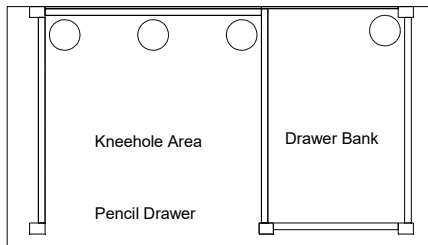


FVD-2654



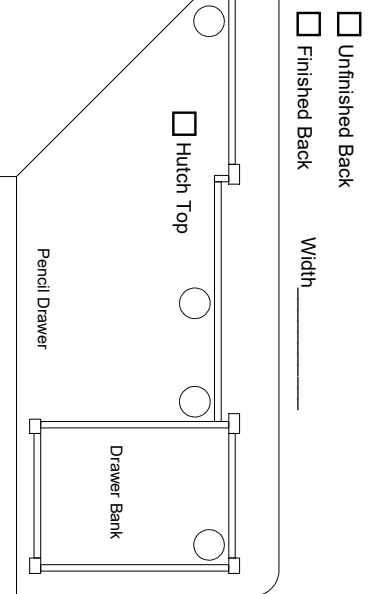
L Desks

Reverse Desk Layout



FVD-2849 and FVD-3049

Reverse Desk Layout



Depth _____

Date _____

PO# _____

Item# _____

Wood _____

Hardware _____

Notes: _____

Customer Signature: _____



FORKS VALLEY WOODWORKING

Hand Crafted Office & Living Room Furniture

#2 Spec Sheet for Desks

Options Codes

- G = WG (Grommet)
- P = TV 2802 (Power Station)
- D = Dock-702-BK (Power Station)
- C = Dock 950 (Phone Charger)
- M = MPSPC (Motorized Power Station)

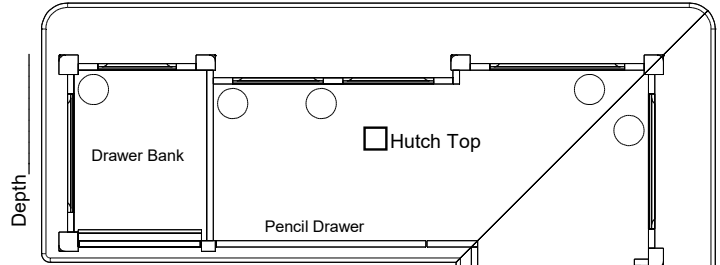
- Leather Inserts in Desk top
 - Texas Black
 - Fossil Mushroom

- Dock-5-BK (in kneehole area only)
 - Left Wing (if L Desk)
 - Right Wing (if L Desk)
 - Left (Kneehole)
 - Center (Kneehole)
 - Right (Kneehole)

Unfinished Back

Finished Back

Width _____



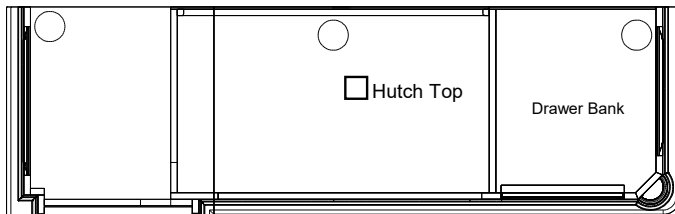
- Unfinished Back
- Finished Back

Width _____

Unfinished Back

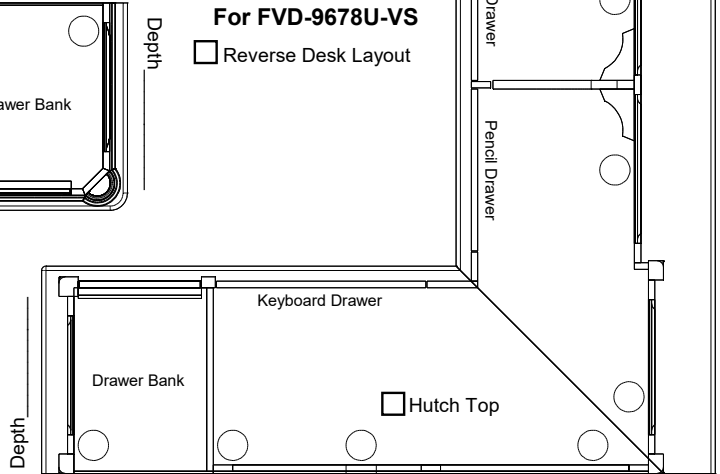
Finished Back

Width _____



For FVD-9678U-VS

Reverse Desk Layout



Unfinished Back

Finished Back

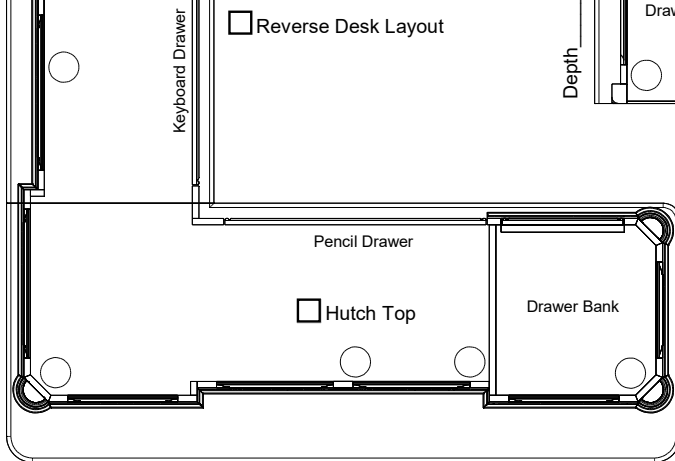
Width _____

- Unfinished Back
- Finished Back

Width _____

For FVD-570-LD

Reverse Desk Layout



Unfinished Back

Finished Back

Width _____

Date _____

PO# _____

Item# _____

Wood _____

Hardware _____

Notes: _____

Customer
Signature: _____



**FORKS VALLEY
WOODWORKING**

Hand Crafted Office & Living Room Furniture

#3 Spec Sheet for Desks

Options Codes

G = WG (Grommet)

P = TV 2802 (Power Station)

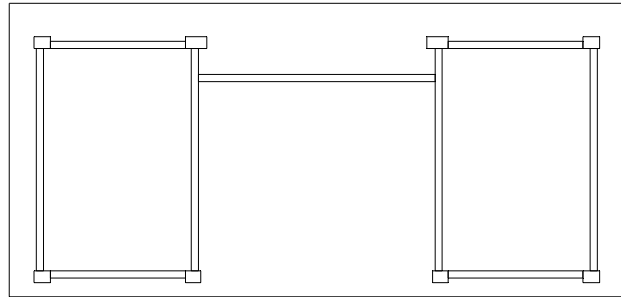
D = Dock-702-BK (Power Station)

C = Dock 950 (Phone Charger)

M = MPSPC (Motorized Power Station)

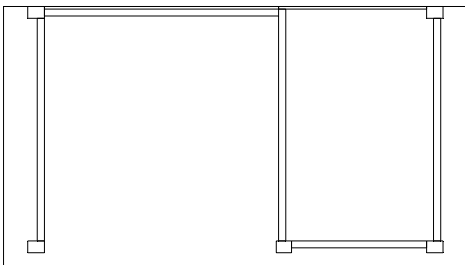
5 = Dock-5-BK (Power Station)

Top View



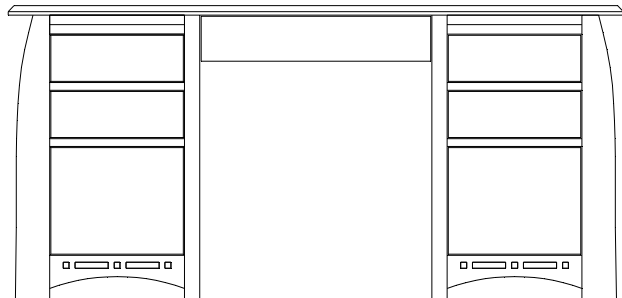
Double Pedestal Desk

Top View



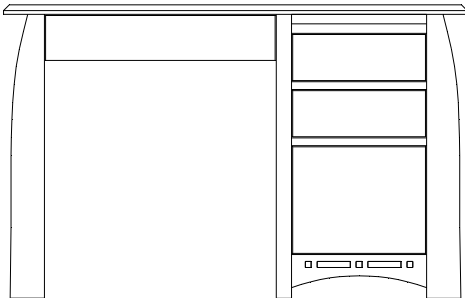
Single Pedestal Desk

Front View



Double Pedestal Desk

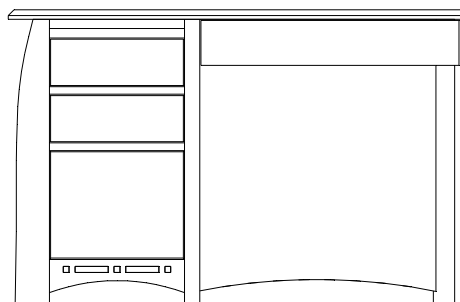
Front View



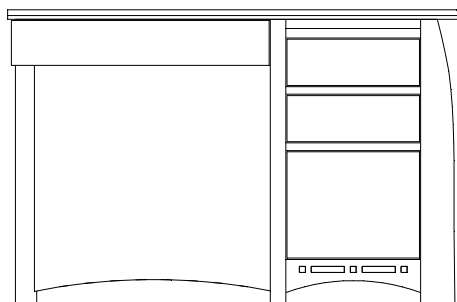
Single Pedestal Desk

Front View

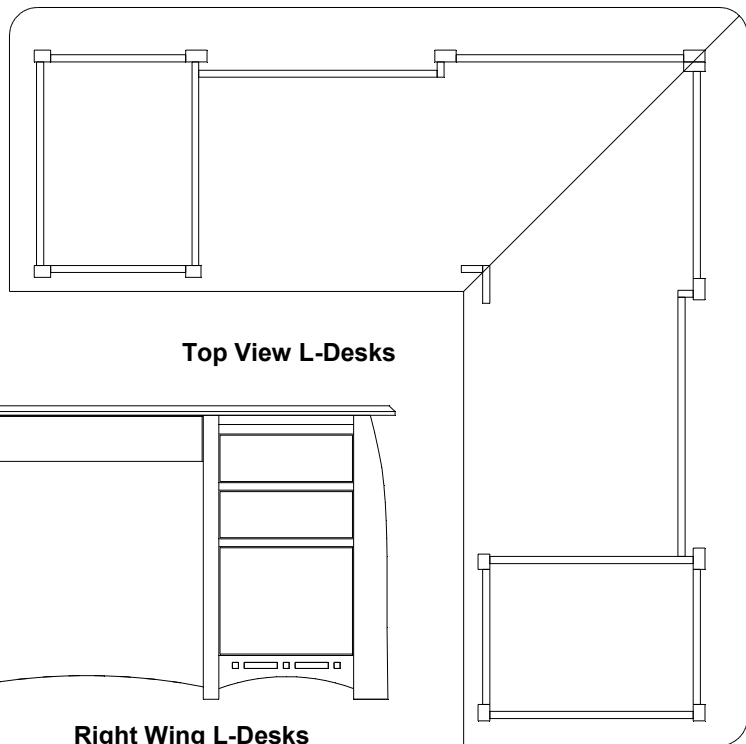
Top View L-Desks



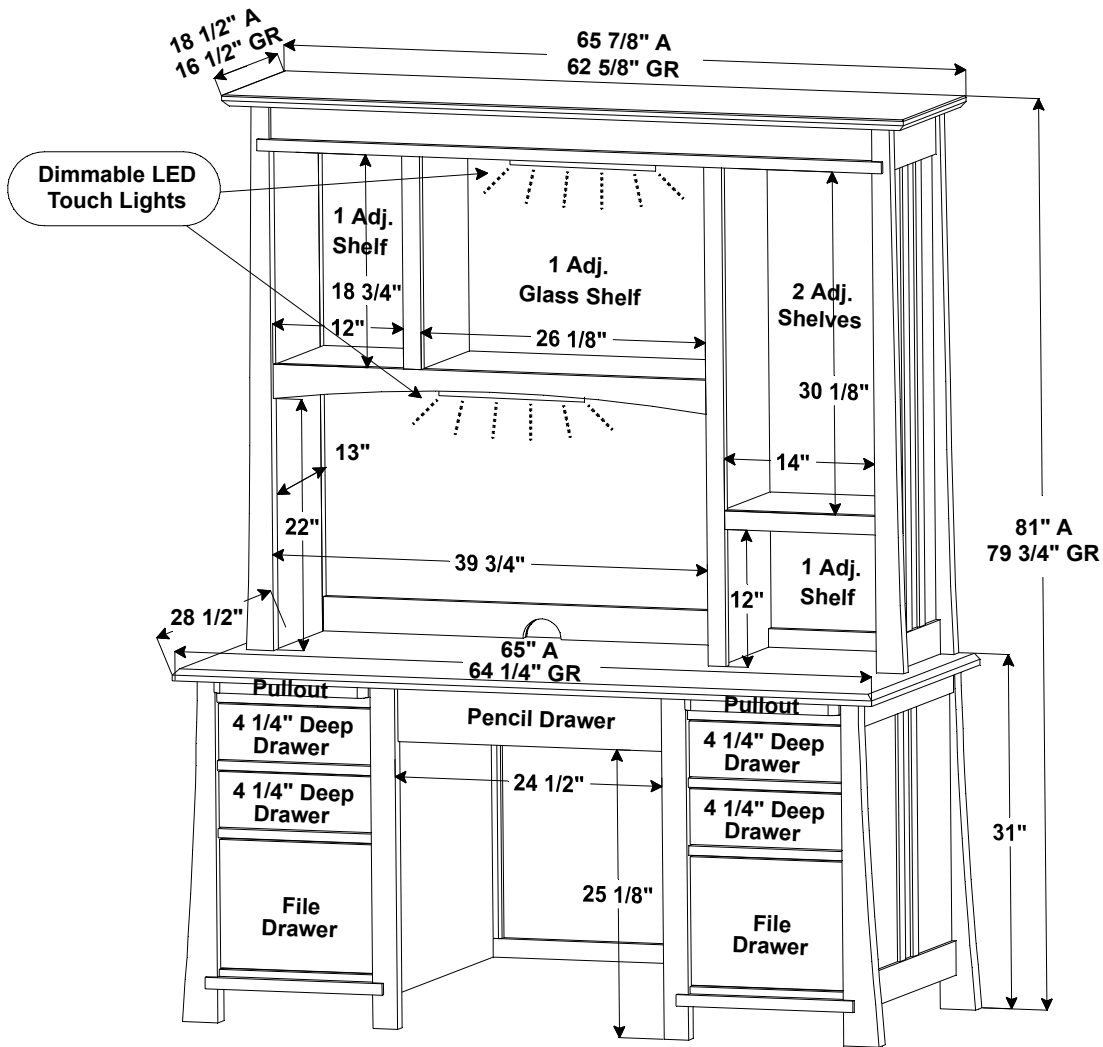
Left Wing L-Desks



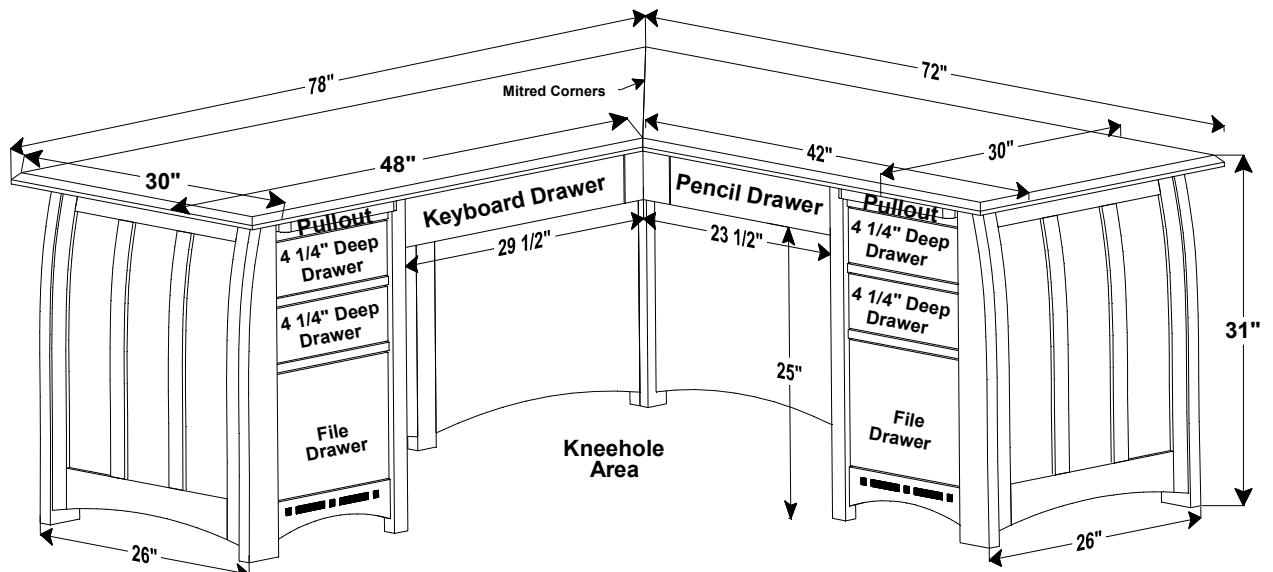
Right Wing L-Desks



Dimensional Details | desks

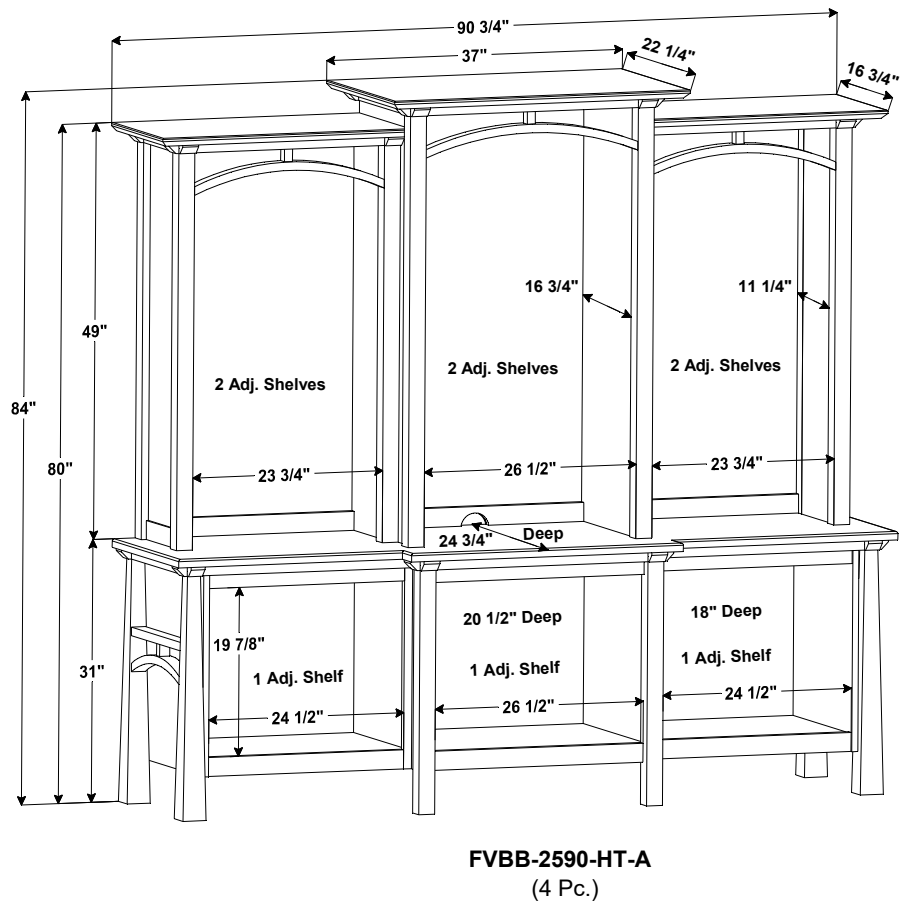
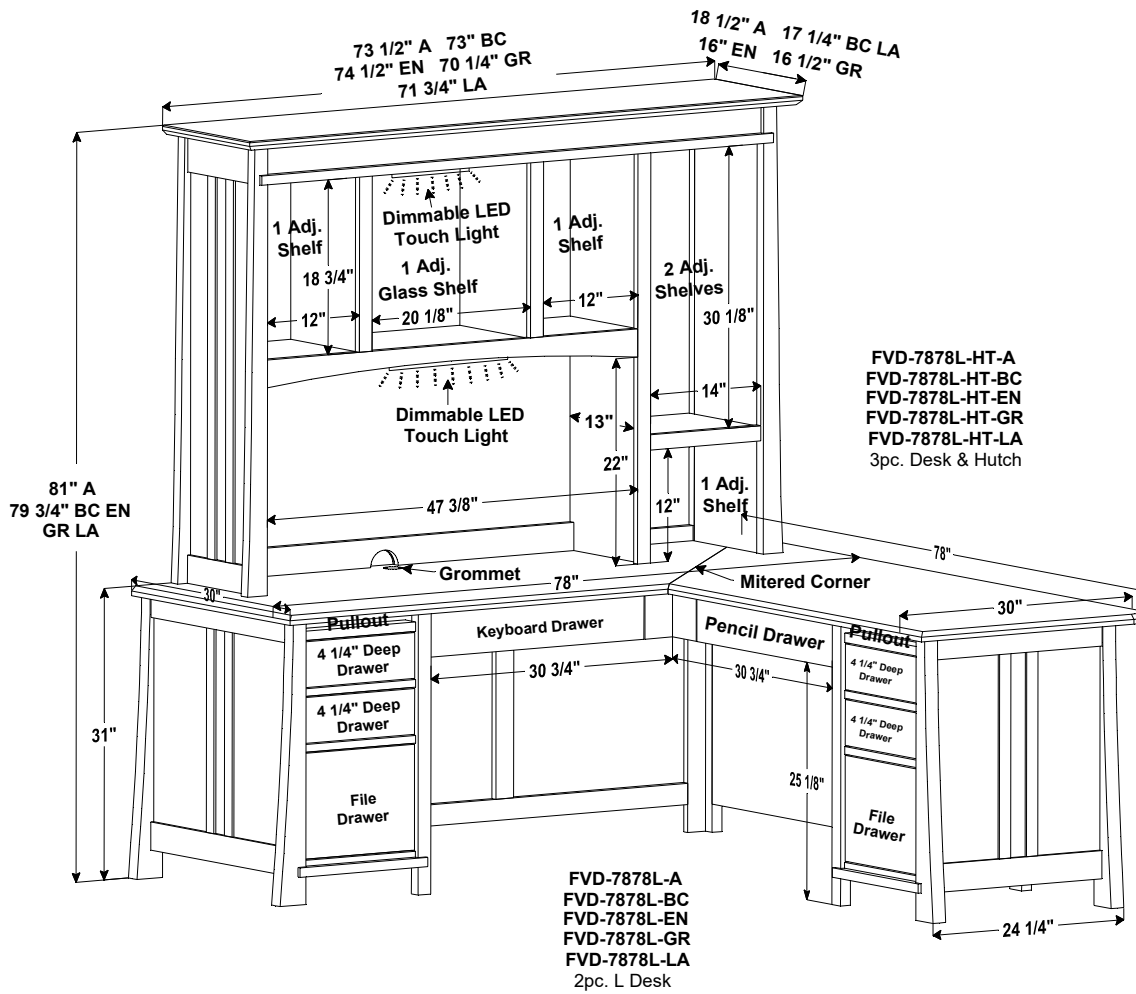


FVD-2865-HT-A
FVD-2865-HT-GR

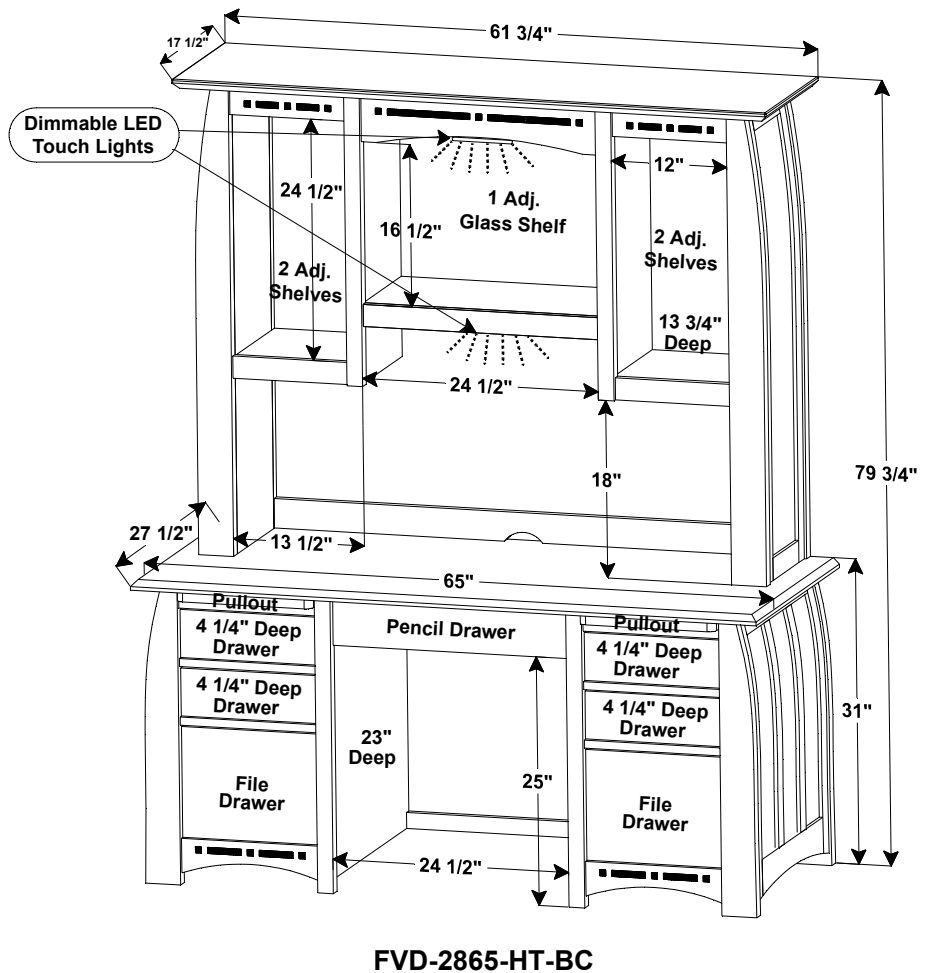
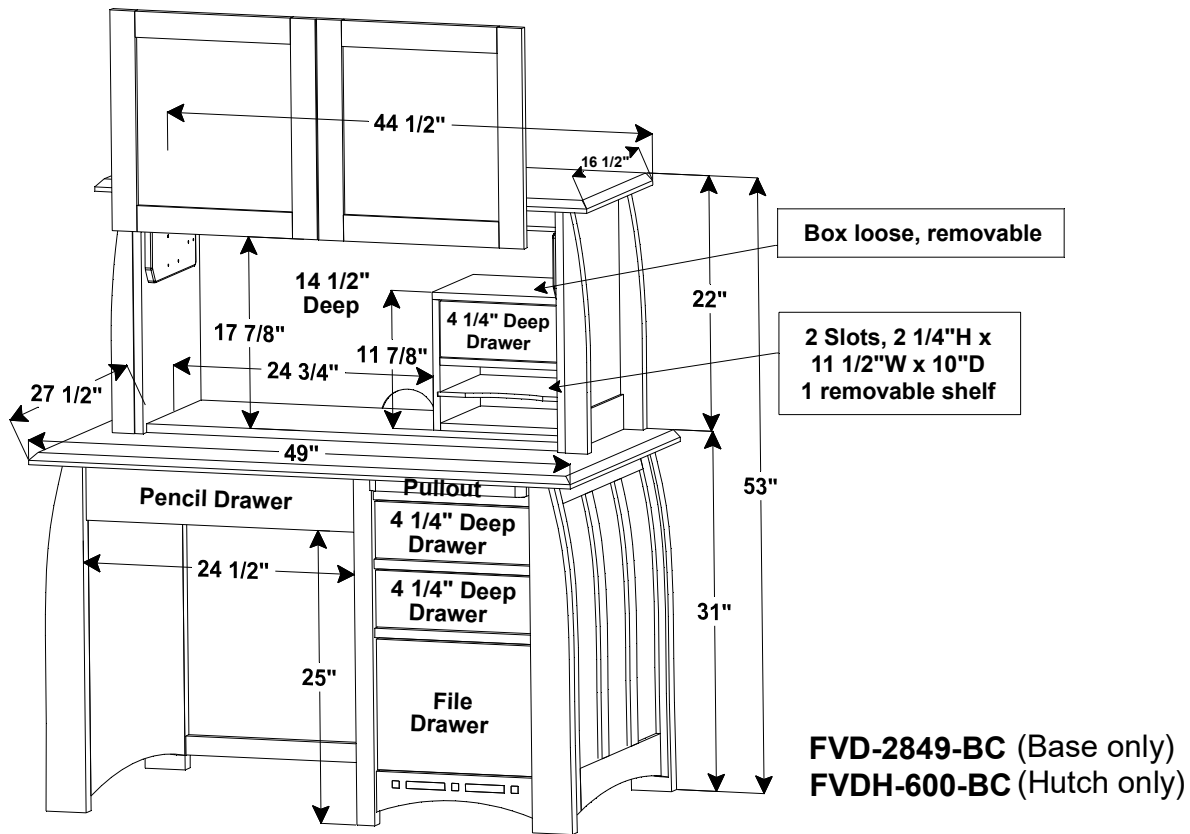


FVD-7872L-A
FVD-7872L-BC

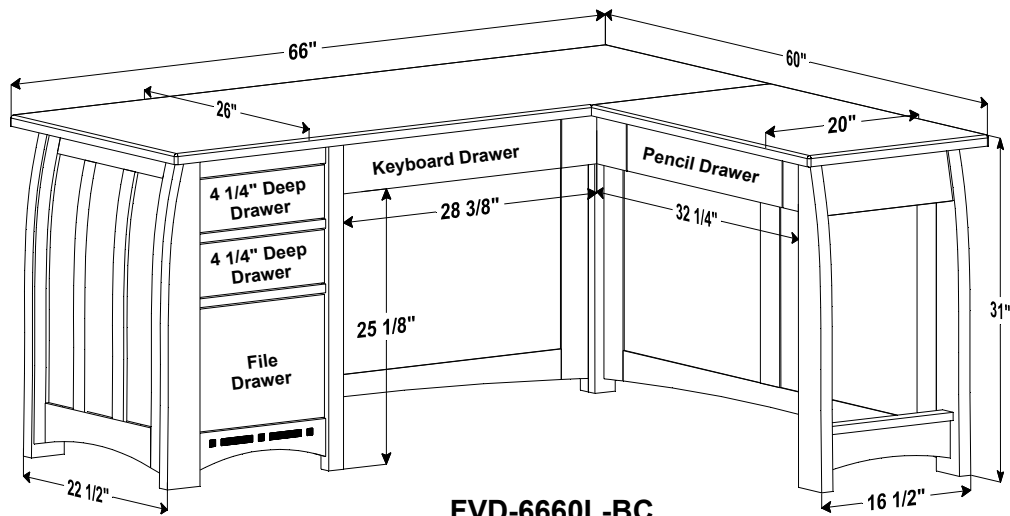
Dimensional Details | desks



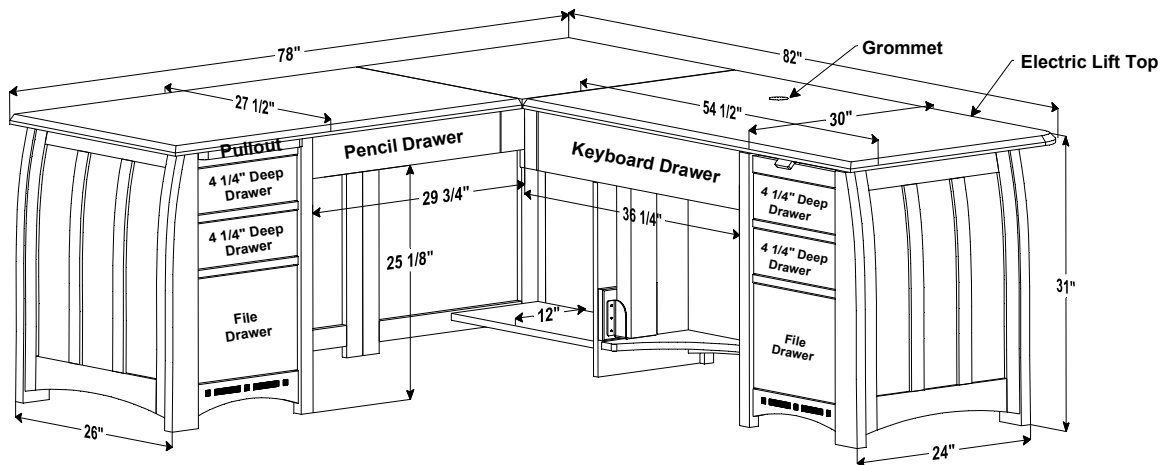
Dimensional Details | desks



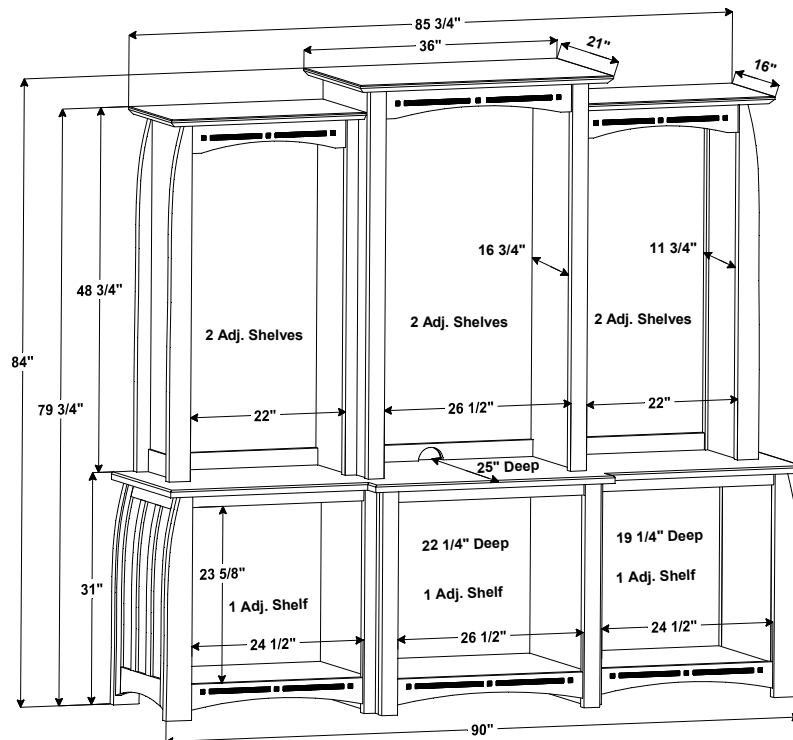
Dimensional Details | desks



**FVD-6660L-BC
FVD-6660L-EN**

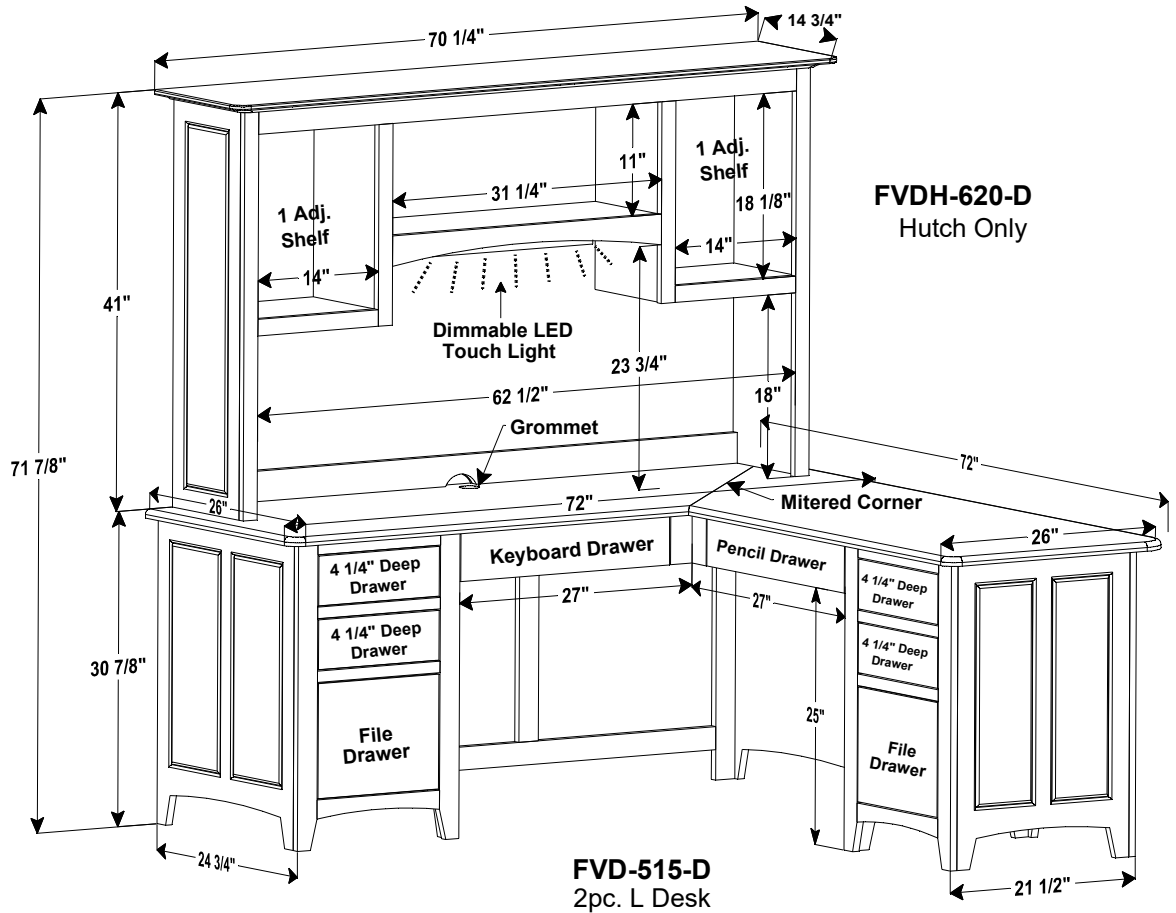
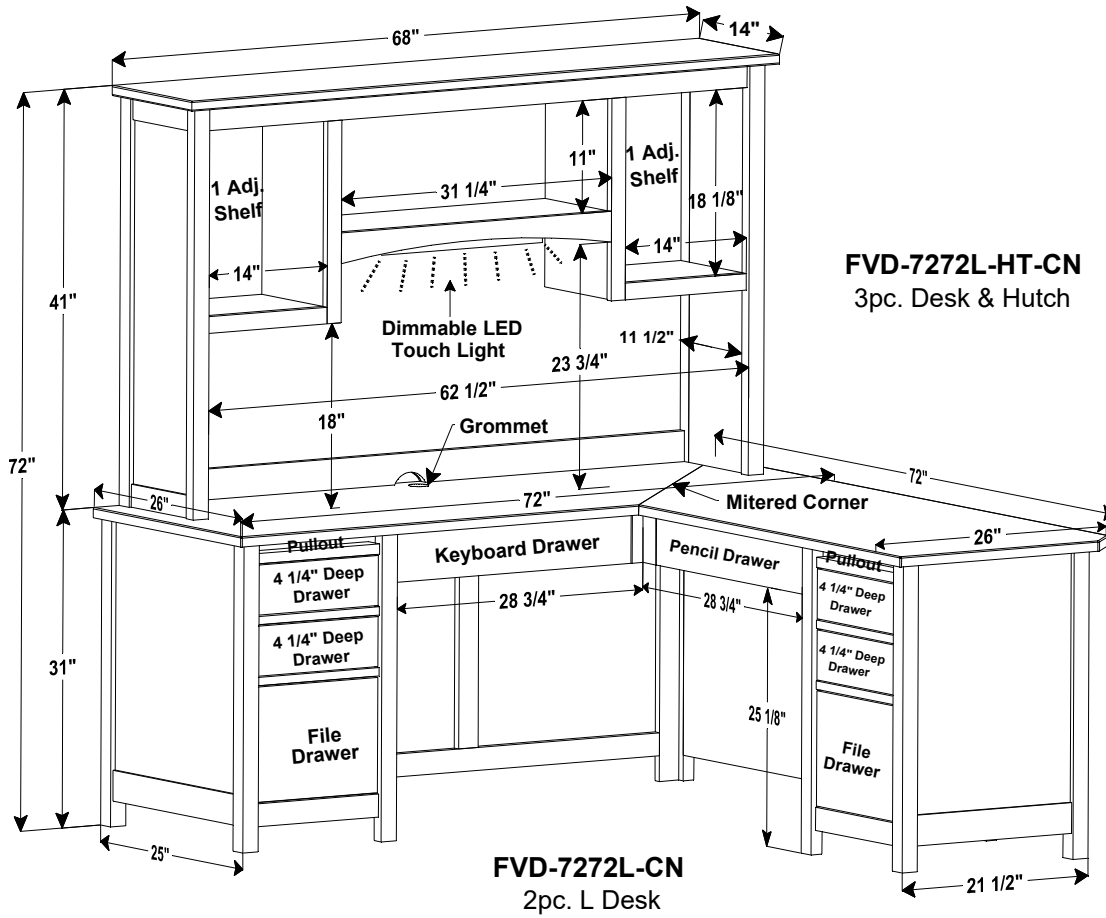


FVD-7882L-BC-S/S

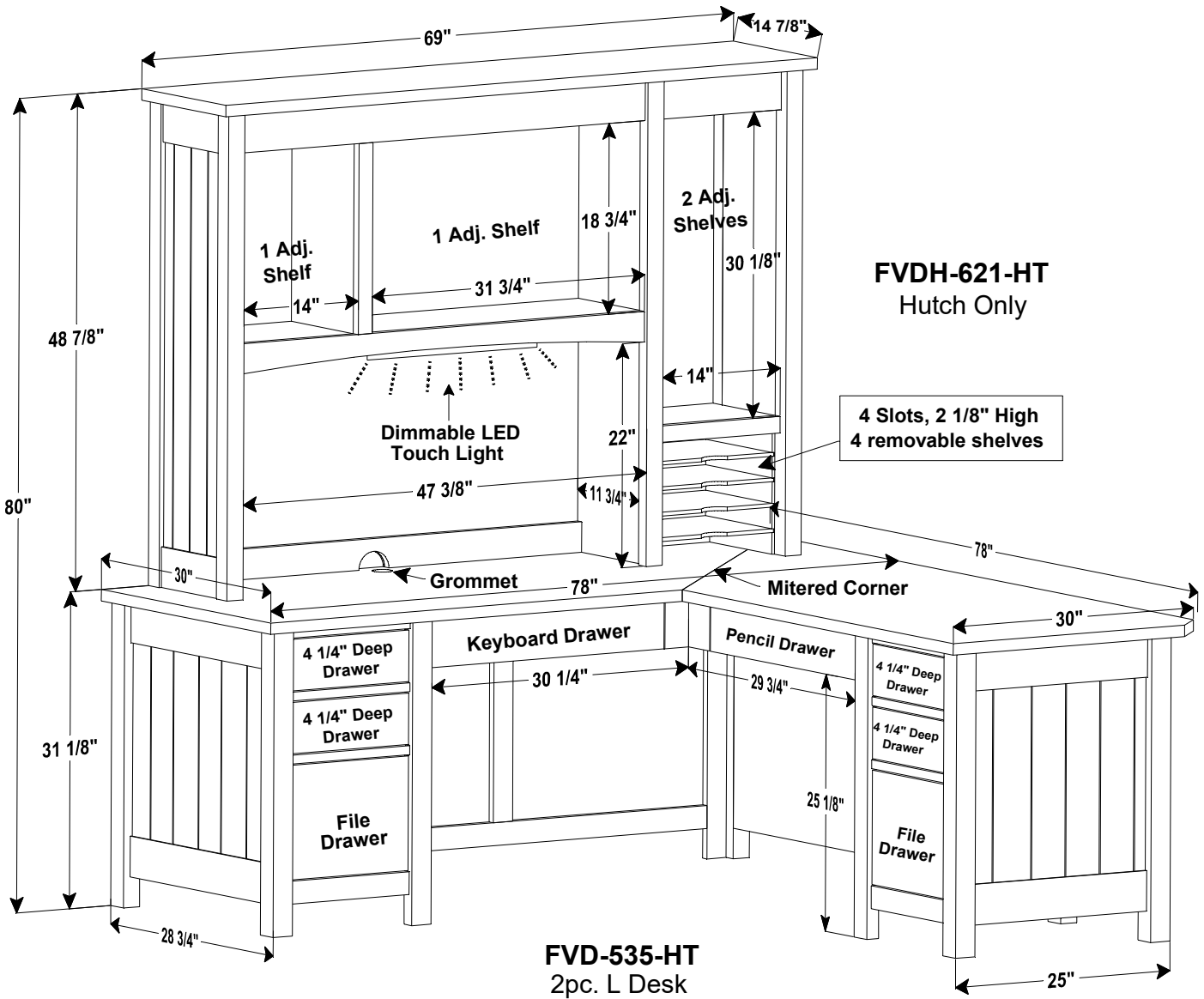


FVBB-2590-HT-BC (4pc)

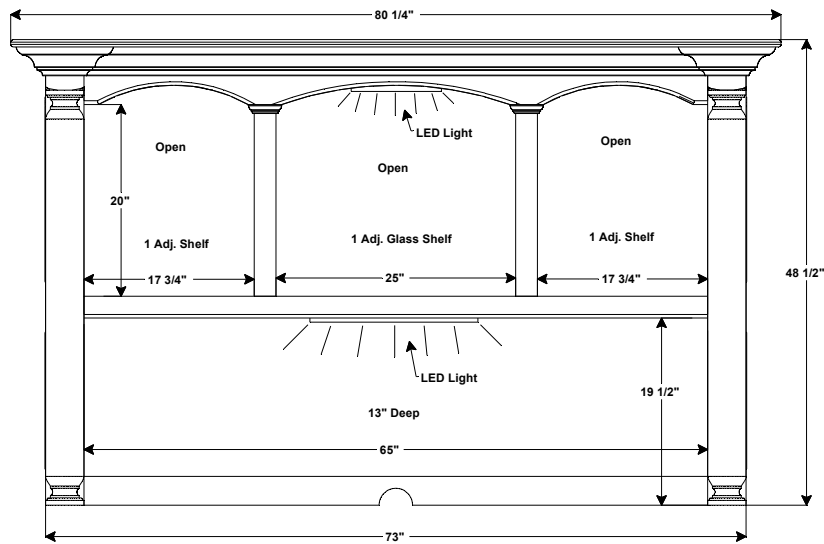
Dimensional Details | desks



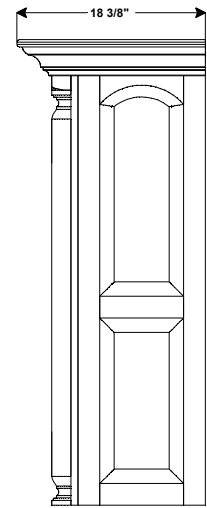
Dimensional Details | 2 piece desks



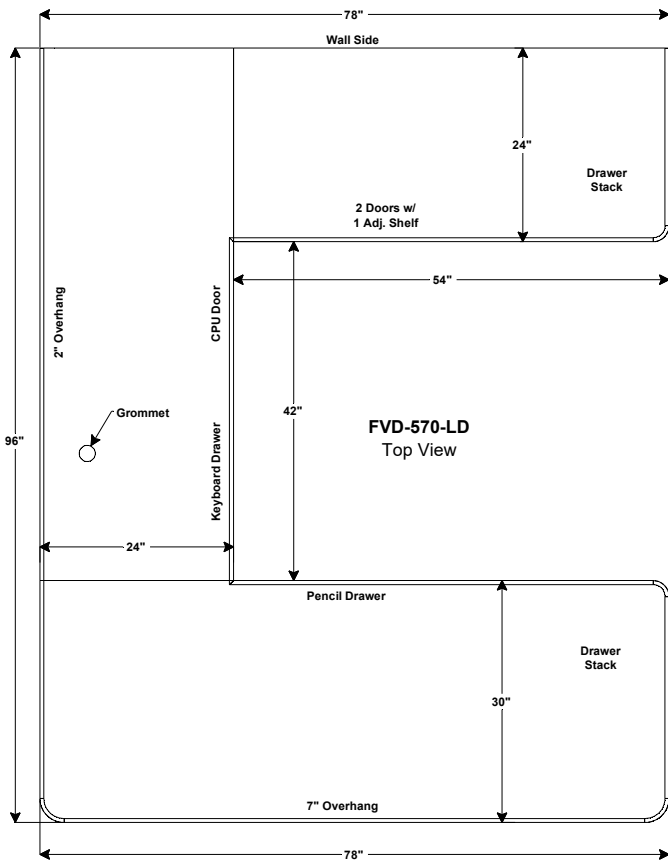
Dimensional Details | 3 piece desk



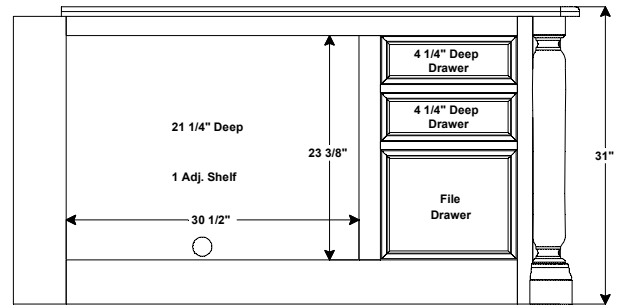
FVDH-630-LD



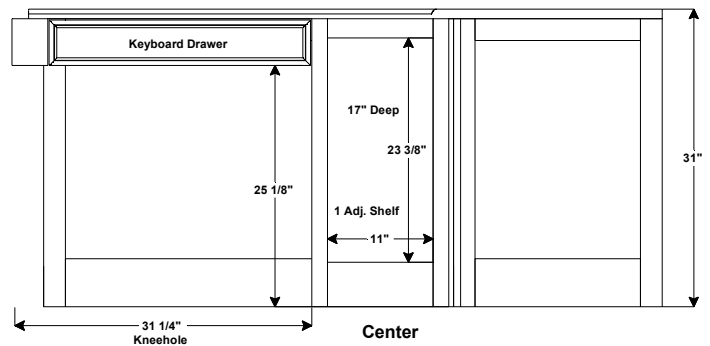
FVDH-630-LD
Side View



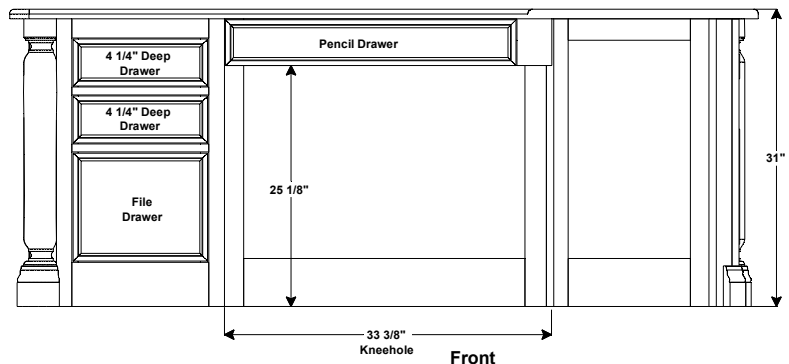
FVD-570-LD
Top View



Back

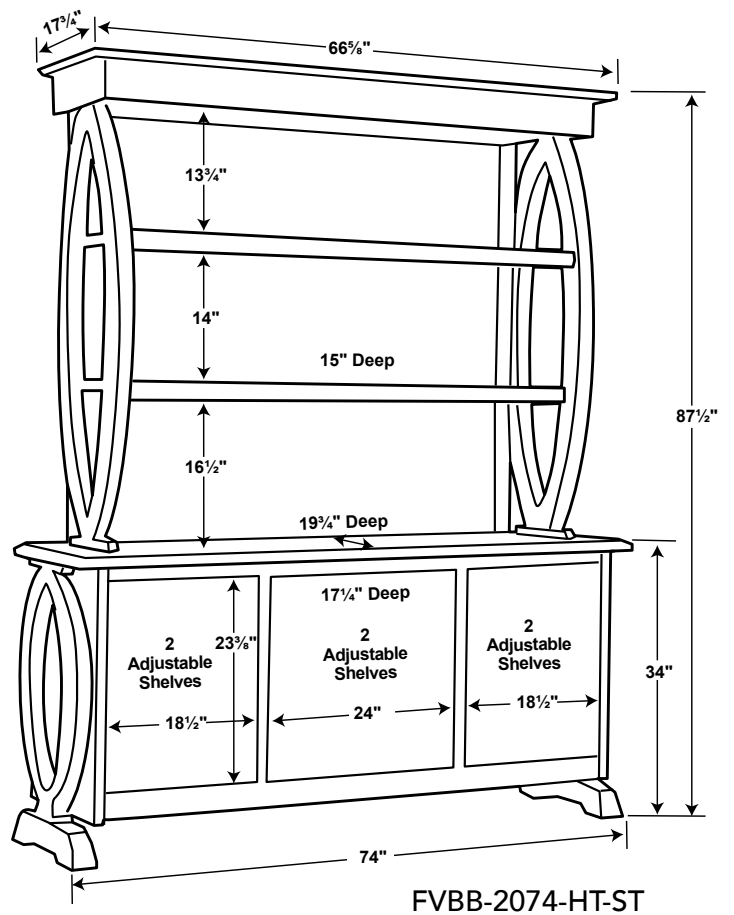
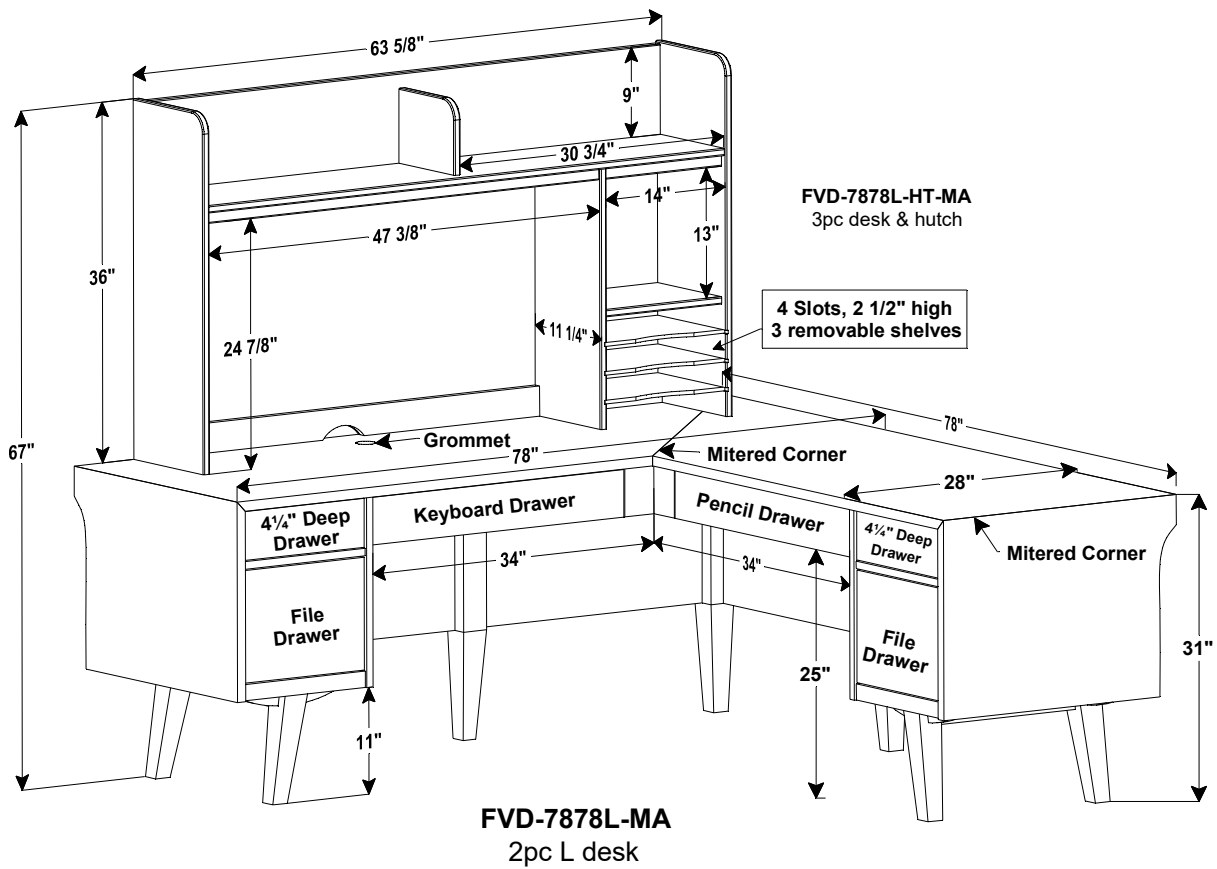


Center

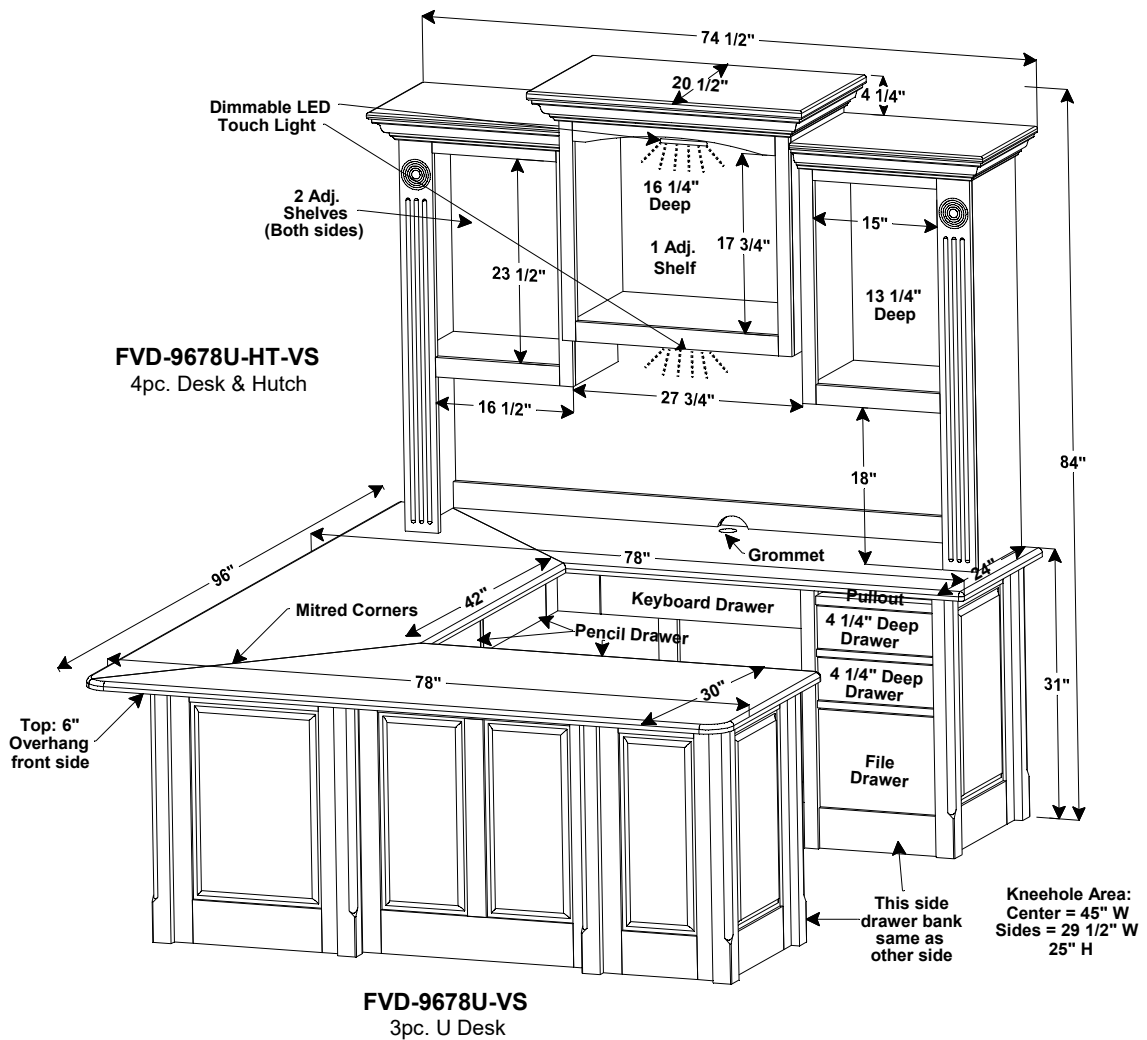
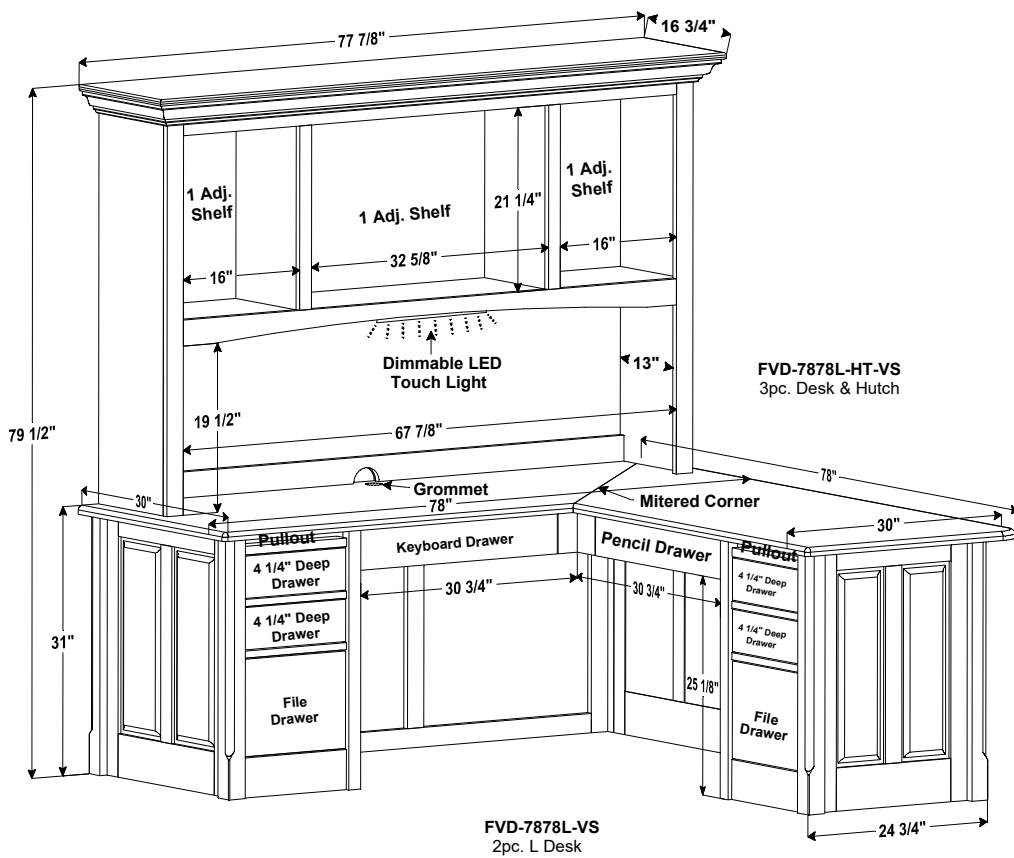


Front

Dimensional Details | desks



Dimensional Details | desks





LIMITED WARRANTY

Forks Valley Woodworking will honor limited warranty to the original owner of the furniture against any manufacturing defects for the following:

- 5 years on cracks in wood parts, providing the customer has between 35%-45% humidity-controlled environment.
- 3 years on metal parts and mechanical mechanisms (desk lifts)
- 2 years on electrical components (desk lifts, lighting, etc.)



**FORKS VALLEY
WOODWORKING**

© 2026 Forks Valley Woodworking